

## Item description/product images



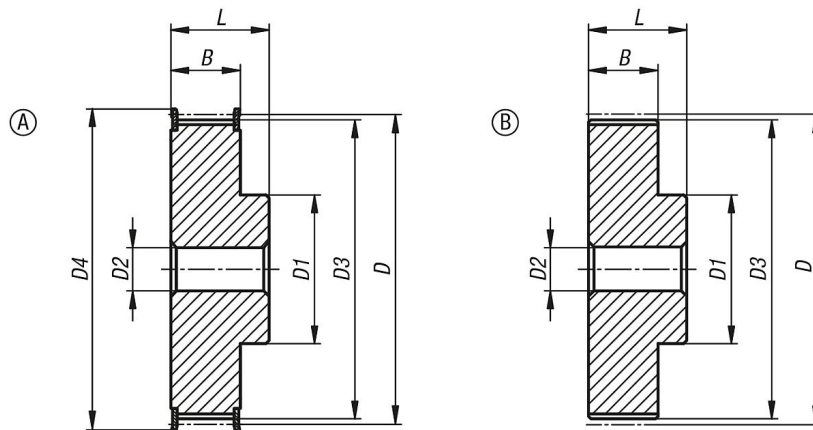
### Description

**Material:**  
Aluminium.  
Rim flanges, steel.

**Version:**  
Aluminium bright.  
Steel electro zinc-plated.

**Note:**  
Standard T-profile to DIN 7721 T2 with metric pitch (trapezoidal toothing). At least one toothed belt pulley must have rim flanges. The toothed belt pulleys have a centre or pilot hole.

## Drawings



## Overview of items

Order No.	Profile	belt width	Form	No. of teeth	D	D1	D2 max.	D3	D4	B	L
22002-051010	T5	10	A	10	15,92	8	5	15,05	19,5	15	21
22002-051012	T5	10	A	12	19,01	10	6	18,25	23	15	21
22002-051014	T5	10	A	14	22,29	13	8	21,45	25	15	21
22002-051015	T5	10	A	15	23,88	16	10	23,05	28	15	21
22002-051016	T5	10	A	16	25,47	18	11	24,6	32	15	21
22002-051018	T5	10	A	18	28,65	20	12	27,8	30	15	21
22002-051019	T5	10	A	19	30,25	22	12	29,4	36	15	21
22002-051020	T5	10	A	20	31,83	23	14	31	36	15	21
22002-051022	T5	10	A	22	35,12	24	15	34,25	38	15	21
22002-051024	T5	10	A	24	38,21	26	15	37,4	42	15	21
22002-051025	T5	10	A	25	39,8	26	15	39	44	15	21
22002-051026	T5	10	A	26	41,47	26	16	40,6	44	15	21
22002-051027	T5	10	A	27	42,98	30	18	42,2	48	15	21
22002-051028	T5	10	A	28	44,62	32	18	43,75	48	15	21
22002-051030	T5	10	A	30	47,76	34	18	46,95	51	15	21
22002-051032	T5	10	A	32	50,94	38	22	50,1	54	15	21
22002-051036	T5	10	A	36	57,31	38	22	56,45	63	15	21
22002-051040	T5	10	A	40	63,66	40	23	62,85	66	15	21
22002-051042	T5	10	A	42	66,87	40	24	66	71	15	21
22002-051044	T5	10	B	44	70,07	45	26	69,2	-	15	21
22002-051048	T5	10	B	48	76,42	50	28	75,55	-	15	21
22002-051060	T5	10	B	60	95,52	65	35	94,65	-	15	21
22002-051610	T5	16	A	10	15,92	8	5	15,05	19,5	21	27
22002-051612	T5	16	A	12	19,01	10	6	18,25	23	21	27

## Overview of items

Order No.	Profile	belt width	Form	No. of teeth	D	D1	D2 max.	D3	D4	B	L
22002-051614	T5	16	A	14	22,29	13	8	21,45	25	21	27
22002-051615	T5	16	A	15	23,88	16	10	23,05	28	21	27
22002-051616	T5	16	A	16	25,47	18	11	24,6	32	21	27
22002-051618	T5	16	A	18	28,65	20	12	27,8	30	21	27
22002-051619	T5	16	A	19	30,25	22	12	29,4	36	21	27
22002-051620	T5	16	A	20	31,83	23	14	31	36	21	27
22002-051622	T5	16	A	22	35,12	24	15	34,25	38	21	27
22002-051624	T5	16	A	24	38,21	26	15	37,4	42	21	27
22002-051625	T5	16	A	25	39,8	26	15	39	44	21	27
22002-051626	T5	16	A	26	41,47	26	16	40,6	44	21	27
22002-051627	T5	16	A	27	42,98	30	18	42,2	48	21	27
22002-051628	T5	16	A	28	44,62	32	18	43,75	48	21	27
22002-051630	T5	16	A	30	47,76	34	18	46,95	51	21	27
22002-051632	T5	16	A	32	50,94	38	22	50,1	54	21	27
22002-051636	T5	16	A	36	57,31	38	22	56,45	63	21	27
22002-051640	T5	16	A	40	63,66	40	23	62,85	66	21	27
22002-051642	T5	16	A	42	66,87	40	24	66	71	21	27
22002-051644	T5	16	B	44	70,07	45	26	69,2	-	21	27
22002-051648	T5	16	B	48	76,42	50	28	75,55	-	21	27
22002-051660	T5	16	B	60	95,52	65	35	94,65	-	21	27
22002-052510	T5	25	A	10	15,92	8	5	15,05	19,5	30	36
22002-052512	T5	25	A	12	19,01	10	6	18,25	23	30	36
22002-052514	T5	25	A	14	22,29	13	8	21,45	25	30	36
22002-052515	T5	25	A	15	23,88	16	10	23,05	28	30	36
22002-052516	T5	25	A	16	25,47	18	11	24,6	32	30	36
22002-052518	T5	25	A	18	28,65	20	12	27,8	30	30	36
22002-052519	T5	25	A	19	30,25	22	12	29,4	36	30	36
22002-052520	T5	25	A	20	31,83	23	14	31	36	30	36
22002-052522	T5	25	A	22	35,12	24	15	34,25	38	30	36
22002-052524	T5	25	A	24	38,21	26	15	37,4	42	30	36
22002-052525	T5	25	A	25	39,8	26	15	39	44	30	36
22002-052526	T5	25	A	26	41,47	26	16	40,6	44	30	36
22002-052527	T5	25	A	27	42,98	30	18	42,2	48	30	36
22002-052528	T5	25	A	28	44,62	32	18	43,75	48	30	36
22002-052530	T5	25	A	30	47,76	34	18	46,95	51	30	36
22002-052532	T5	25	A	32	50,94	38	22	50,1	54	30	36
22002-052536	T5	25	A	36	57,31	38	22	56,45	63	30	36
22002-052540	T5	25	A	40	63,66	40	23	62,85	66	30	36
22002-052542	T5	25	A	42	66,87	40	24	66	71	30	36
22002-052544	T5	25	B	44	70,07	45	26	69,2	-	30	36
22002-052548	T5	25	B	48	76,42	50	28	75,55	-	30	36
22002-052560	T5	25	B	60	95,52	65	35	94,65	-	30	36
22002-101612	T10	16	A	12	38,2	28	16	36,35	42	21	31
22002-101614	T10	16	A	14	44,56	32	18	42,7	48	21	31
22002-101615	T10	16	A	15	47,75	32	18	45,9	51	21	31
22002-101616	T10	16	A	16	50,93	35	20	49,05	54	21	31
22002-101618	T10	16	A	18	57,29	40	22	55,45	60	21	31
22002-101619	T10	16	A	19	60,48	44	22	58,6	66	21	31
22002-101620	T10	16	A	20	63,66	46	24	61,8	66	21	31
22002-101622	T10	16	A	22	70,03	52	28	68,15	75	21	31
22002-101624	T10	16	A	24	76,39	58	30	74,55	83	21	31
22002-101625	T10	16	A	25	79,58	60	30	77,7	83	21	31
22002-101626	T10	16	A	26	82,76	60	30	80,9	87	21	31
22002-101627	T10	16	A	27	85,95	60	30	84,1	91	21	31
22002-101628	T10	16	A	28	89,13	60	30	87,25	93	21	31
22002-101630	T10	16	A	30	95,49	60	30	93,65	97	21	31
22002-101632	T10	16	A	32	101,86	65	32	100	106	21	31
22002-101636	T10	16	A	36	114,59	70	35	112,75	119	21	31
22002-101640	T10	16	A	40	127,32	80	40	125,45	131	21	31
22002-101644	T10	16	B	44	140,06	88	46	138,2	-	21	31
22002-101648	T10	16	B	48	152,78	95	48	150,95	-	21	31
22002-101660	T10	16	B	60	190,98	110	60	189,1	-	21	31
22002-102512	T10	25	A	12	38,2	28	16	36,35	42	30	40
22002-102514	T10	25	A	14	44,56	32	18	42,7	48	30	40
22002-102515	T10	25	A	15	47,75	32	18	45,9	51	30	40

## Overview of items

Order No.	Profile	belt width	Form	No. of teeth	D	D1	D2 max.	D3	D4	B	L
22002-102516	T10	25	A	16	50,93	35	20	49,05	54	30	40
22002-102518	T10	25	A	18	57,29	40	22	55,45	60	30	40
22002-102519	T10	25	A	19	60,48	44	22	58,6	66	30	40
22002-102520	T10	25	A	20	63,66	46	24	61,8	66	30	40
22002-102522	T10	25	A	22	70,03	52	28	68,15	75	30	40
22002-102524	T10	25	A	24	76,39	58	30	74,55	83	30	40
22002-102525	T10	25	A	25	79,58	60	30	77,7	83	30	40
22002-102526	T10	25	A	26	82,76	60	30	80,9	87	30	40
22002-102527	T10	25	A	27	85,95	60	30	84,1	91	30	40
22002-102528	T10	25	A	28	89,13	60	30	87,25	93	30	40
22002-102530	T10	25	A	30	95,49	60	30	93,65	97	30	40
22002-102532	T10	25	A	32	101,86	65	32	100	106	30	40
22002-102536	T10	25	A	36	114,59	70	35	112,75	119	30	40
22002-102540	T10	25	A	40	127,32	80	40	125,45	131	30	40
22002-102544	T10	25	B	44	140,06	88	46	138,2	-	30	40
22002-102548	T10	25	B	48	152,78	95	48	150,95	-	30	40
22002-102560	T10	25	B	60	190,98	110	60	189,1	-	30	40
22002-103218	T10	32	A	18	57,29	40	22	55,45	60	37	47
22002-103219	T10	32	A	19	60,48	44	22	58,6	66	37	47
22002-103220	T10	32	A	20	63,66	46	24	61,8	66	37	47
22002-103222	T10	32	A	22	70,03	52	28	68,15	75	37	47
22002-103224	T10	32	A	24	76,39	58	30	74,55	83	37	47
22002-103225	T10	32	A	25	79,58	60	30	77,7	83	37	47
22002-103226	T10	32	A	26	82,76	60	30	80,9	87	37	47
22002-103227	T10	32	A	27	85,95	60	30	84,1	91	37	47
22002-103228	T10	32	A	28	89,13	60	30	87,25	93	37	47
22002-103230	T10	32	A	30	95,49	60	30	93,65	97	37	47
22002-103232	T10	32	A	32	101,86	65	32	100	106	37	47
22002-103236	T10	32	A	36	114,59	70	35	112,75	119	37	47
22002-103240	T10	32	A	40	127,32	80	40	125,45	131	37	47
22002-103244	T10	32	B	44	140,06	88	46	138,2	-	37	47
22002-103248	T10	32	B	48	152,78	95	48	150,95	-	37	47
22002-103260	T10	32	B	60	190,98	110	60	189,1	-	37	47