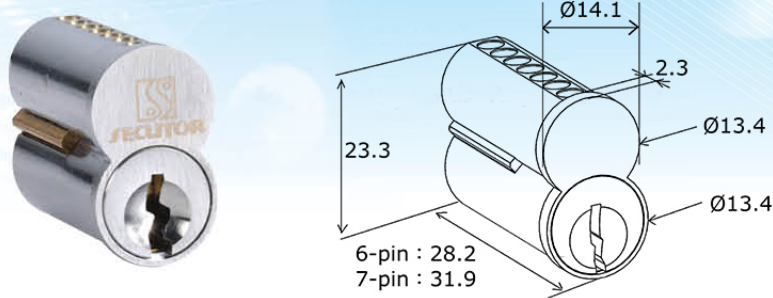


# Interchangeable Core

## Small Format (SFIC)



### FEATURES:

- \* Interchangeable & re-keyable core
- \* With 1 control key and 2 operating keys
- \* Different keyway available.  
(Keyway: A, B, C, D, E, F, G, H, J, K, L, M, N, Q, WA, WB, WC, WG, TB available)
- \* Brass material, finish US4, US26, US26D, US32D available
- \* 1,000,000 key combinations of 6-pin core
- \* 10,000,000 key combinations of 7-pin core
- \* No screwdriver and tool needed
- \* Uncombined / KA / MK / GMK / GGMK system for optional order

2E73

## File Cabinet Lock



### FEATURES:

- \* Compatible with 6-pin or 7-pin Small Format Interchangeable Core
- \* Dimension : Length: 2-9/32" x Width: 3/4" x Height: 1-1/8"
- \* Vertical mounting slot
- \* Material : Solid Brass
- \* Finish US03, US04, US26D, US32D

033

## Mortise Cylinder Housing

033A

## Tapered Head Mortise Housing



	Length(L)
6PINS	1-1/4"
7PINS	1-3/8", 1-1/2", 1-5/8", 1-3/4"
	1-7/8", 2", 2-1/8", 2-1/4", 2-3/8"
	2-1/2", 2-5/8", 2-3/4", 2-7/8", 3"

### FEATURES:

- \* Solid brass material
- \* Different cams available
- \* Different surface finished available (26D / 32D / US4 / US3)
- \* #033 Stainless steel material available

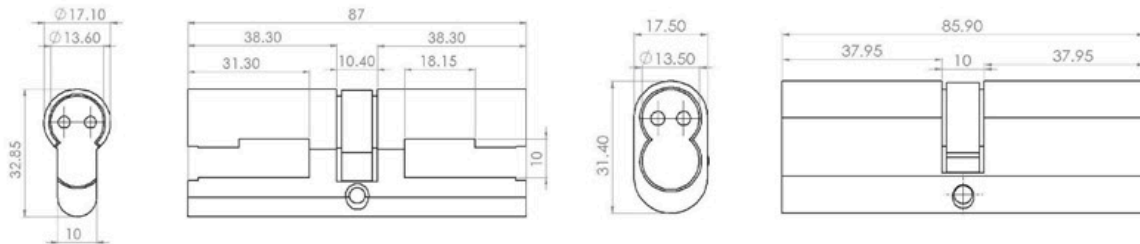
8E7E

## Euro Profile Cylinder Housing



8E7H

## Oval Profile Cylinder Housing

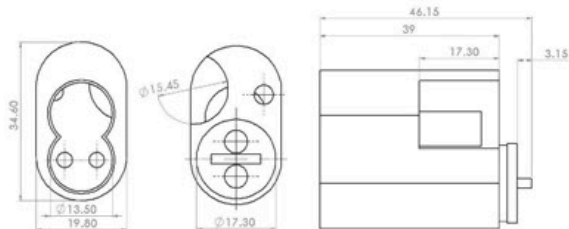


### FEATURES:

- \* For Small Format Interchangeable Core (SFIC)
- \* #8E7E Conversion Cylinder for use with most Euro Profile Cylinder Locks
- \* #8E7H Conversion Cylinder for use with most Oval Profile Cylinder Locks
- \* Material : Solid brass
- \* Type : Keyed on one side, double sides keyed, half type are available
- \* Cylinder core with 6-pin or 7-pin (86mm) SFIC available
- \* Different surface finished available (26D / 32D / US4 / US3)

8E7A

## Scandinavian Oval Cylinder Housing



### FEATURES:

- \* For Small Format Interchangeable Core (SFIC)
- \* Conversion cylinder for use with most Scandinavian Oval Cylinder Locks
- \* Material : Solid Brass
- \* Keyed on one side or both sides available
- \* Cylinder for 6-pin or 7-pin (39mm) SFIC
- \* Different surface finished available (26D / 32D / US4 / US3)

## Cam Lock



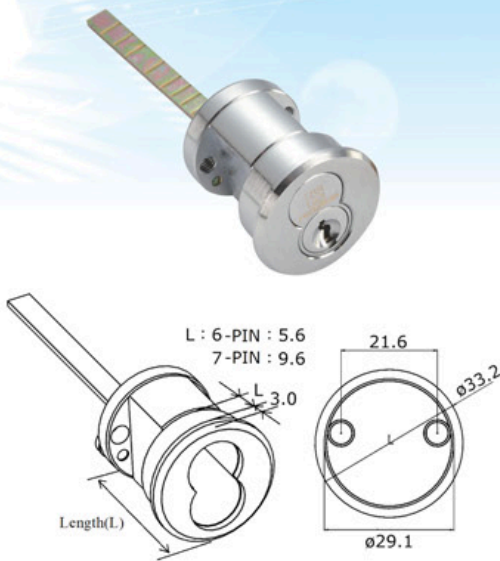
### FEATURES:

- \* Fits for 6 or 7-pin Small Format Interchangeable Core (SFIC)
- \* Diameter : 1-5/32"
- \* Solid brass machined body
- \* With brass ring
- \* Different surface finished available (26D / 32D / US4 / US3)
- \* Includes all parts necessary to lock up, down, right or left and in key-retaining non-key retaining function

# Interchangeable Core

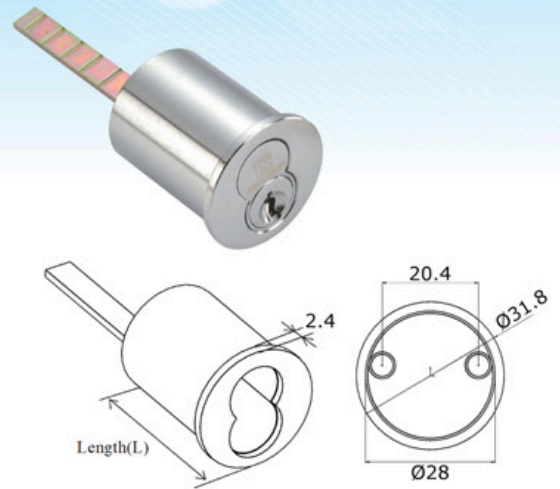
034

## Rim Cylinder



	Length(L)
6 PINS	1-1/4"
7 PINS	1-3/8", 1-1/2", 1-5/8", 1-3/4", 1-7/8"

036



	Length(L)
6 PINS	1-1/4"
7 PINS	1-3/8", 1-1/2", 1-5/8", 1-3/4", 1-7/8", 2"

### FEATURES:

- \* Compatible with 6 or 7-pin Small Format Interchangeable Core
- \* Solid brass construction
- \* Can be installed in rim locks & panic devices
- \* With spindle, mounting plate & screws
- \* Finish US3, US4, US26D, US32D available

2E74

## Drawer Lock



### FEATURES:

- \* Compatible with 6-pin or 7-pin Small Format Interchangeable Core
- \* Brass cylinder housing sized: 29mm dia\*27mm long
- \* Zinc alloy latch & front plate & base
- \* Clearance between center to center of 2 screws : 56mm
- \* Finish US03, US04, US26D, US32D

11B/21B/41B

## Padlock Housing

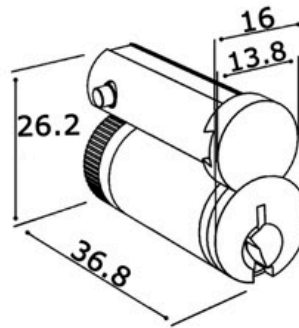
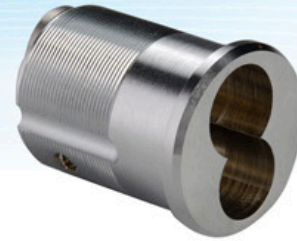


### FEATURES:

- \* Padlock Case: Solid brass
- \* Shackle: 304 Stainless Steel
- \* Shackle interchangeable by tool
- \* Key retained or non-retained available
- \* Different surface finish available (US3, US4, US26D, US32D)
- \* 11B series: padlock case: 1-5/8" (W), 2-1/16" (L), 25/32" (T)
- \* 21B series: padlock case: 1-25/32" (W), 2-1/16" (L), 13/16" (T)
- \* 41B series: padlock case: 1-15/16" (W), 2-1/16" (L), 7/8" (T)
- \* Length of Shackle: 3/4", 1-1/2", 2", 4"

## Large Format (LFIC)

041

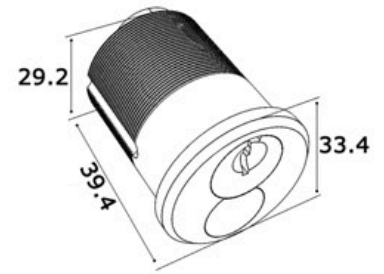


### FEATURE

- \* Interchangeable & re-keyable core
- \* Brass material
- \* 6-pin tumbler mechanism
- \* C / E / F Keyway..... available
- \* 70,000 key combinations
- \* With 1 nickel silver control key and 2 brass operating keys
- \* No screwdriver and tool needed for cylinder replacement
- \* Finish: US03, US04, US10B, US15, US26, US26D, US32, US32D
- \* KA / KD / MK / GMK / GGMK / GGGMK / GGGGMK system for optional order
- \* Construction key function available

## Mortise Cylinder Housing

039

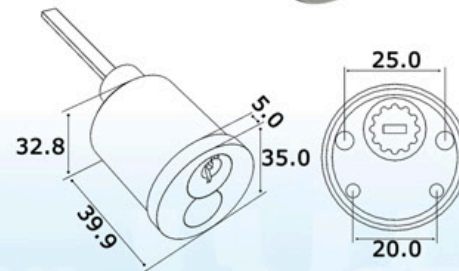
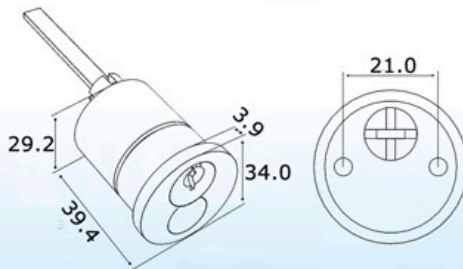


### FEATURE

- \* Compatible with Large Format Interchangeable Core (LFIC)
- \* Solid brass material
- \* Length of cylinder housing : 39.4mm
- \* Different cams available
- \* Different surface finish available

## Rim Cylinder Housing

038



### FEATURE

- \* Compatible with Large Format Interchangeable Core (LFIC)
- \* Solid brass material
- \* Can be installed in rim locks & panic devices
- \* Different surface finish available



- A : A4, 9 fl., No. 6 Siwei 3rd Road, Lingya dist., Kaohsiung 80250, TAIWAN
- T : 886-7- 3355235
- F : 886-7- 3356680
- W : <http://secutor.com.tw>  
<http://secutor.en.alibaba.com>
- E : [secutor@ms66.hinet.net](mailto:secutor@ms66.hinet.net)  
[secutor.corp@msa.hinet.net](mailto:secutor.corp@msa.hinet.net)