

Item description/product images

**Description****Material:**

GJL 300.

Version:

Reference surfaces precision machined.

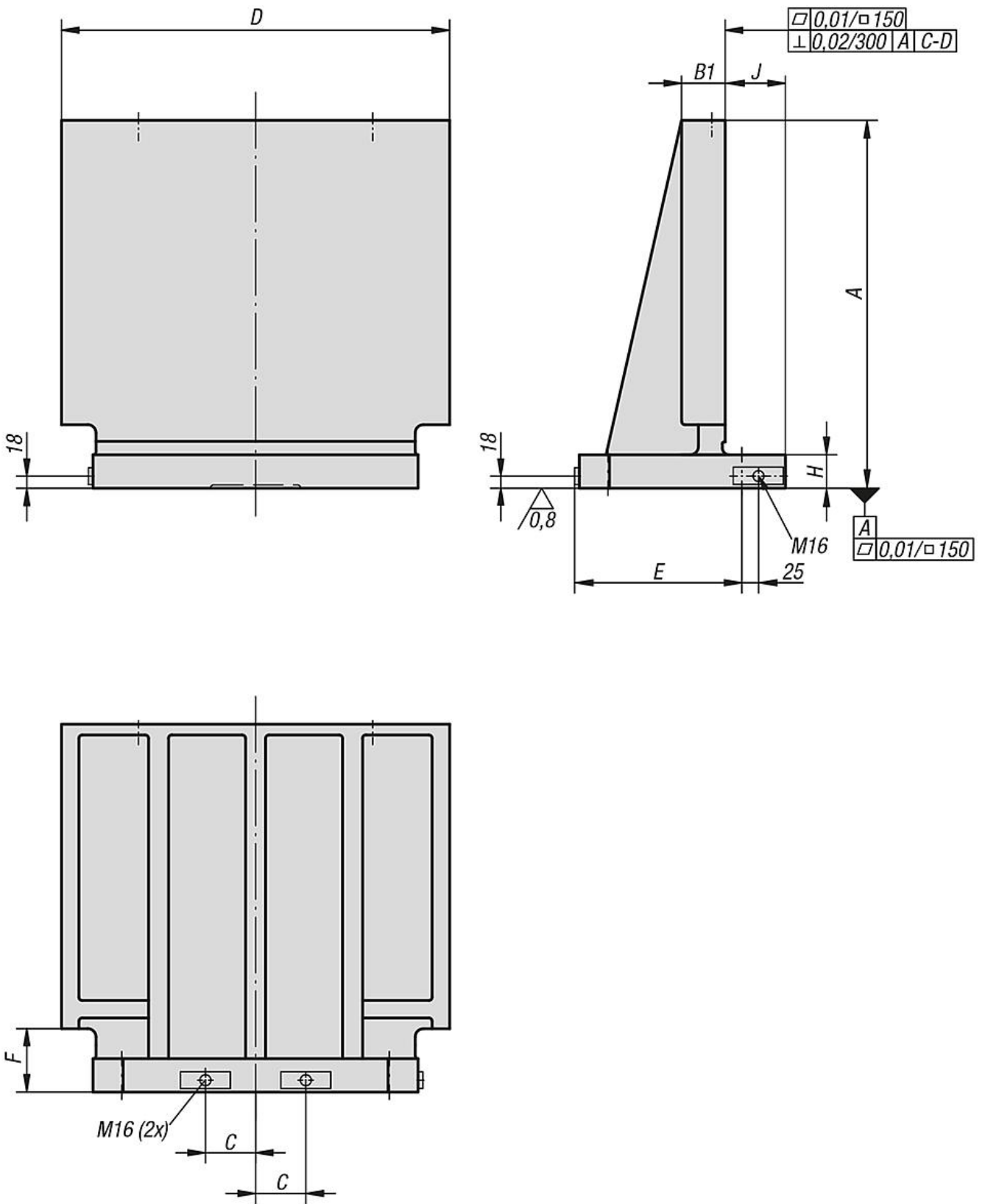
The clamping surface has 1 mm allowance.

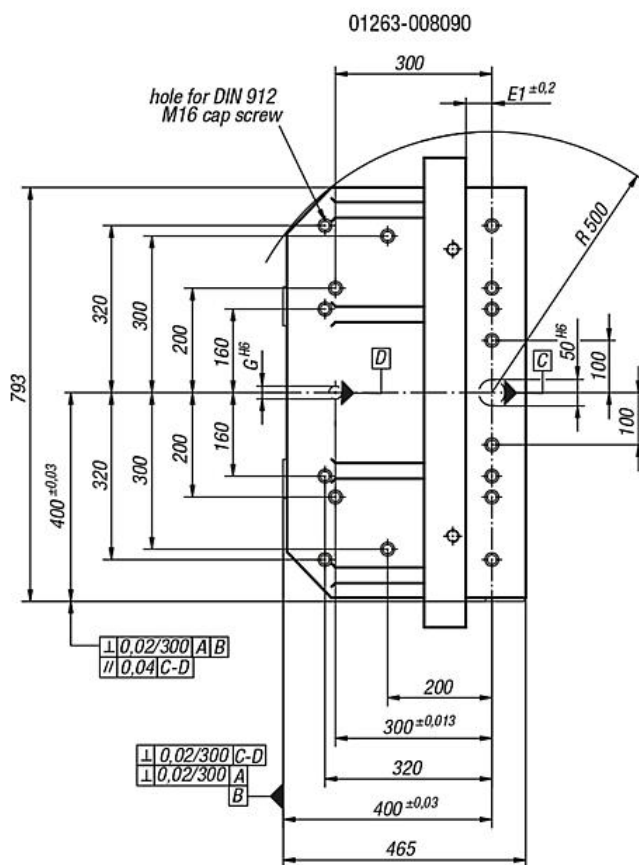
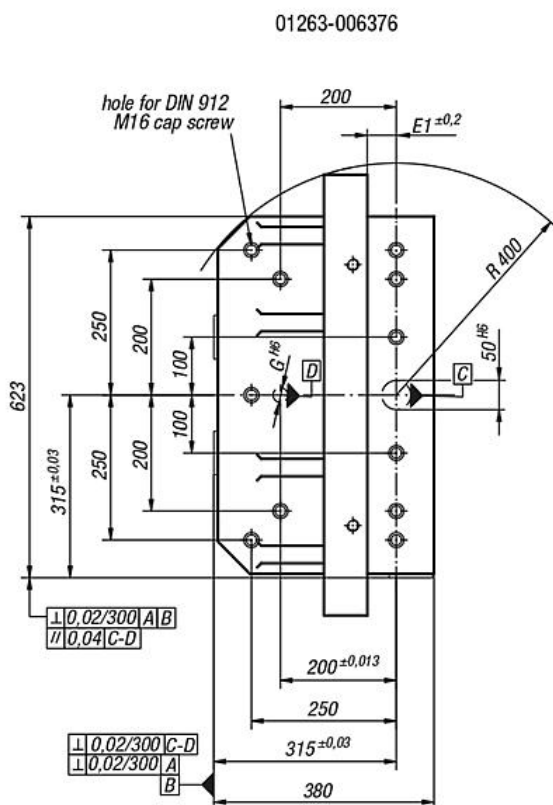
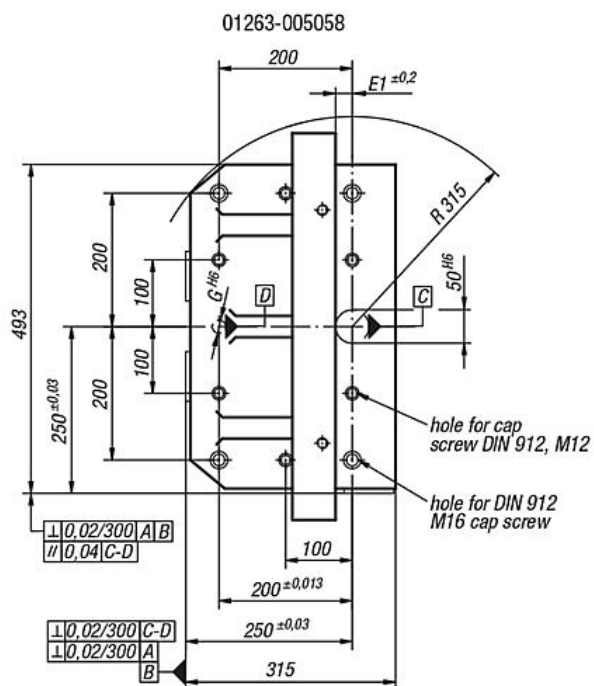
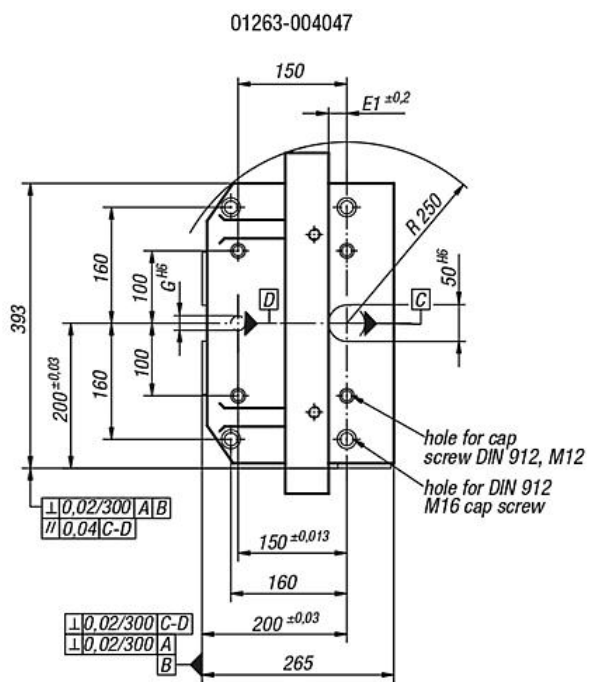
Note:

The single-sided tombstones are matched to subplates for machine tools acc. to DIN 55201 and JIS 6337-1980.

Ring bolts for lifting are supplied.

Drawings





Overview of items

Order No.	A	B1	C	D	E	E1	F	G	H	J
01263-004047	450	61	55	470	200	24 ±0,2	85	20	45	89
01263-005058	550	66	75	580	250	24 ±0,2	95	20	50	89
01263-006376	700	76	100	760	315	49 ±0,2	100	25	55	114
01263-008090	800	81	135	900	400	49 ±0,2	100	25	60	114