

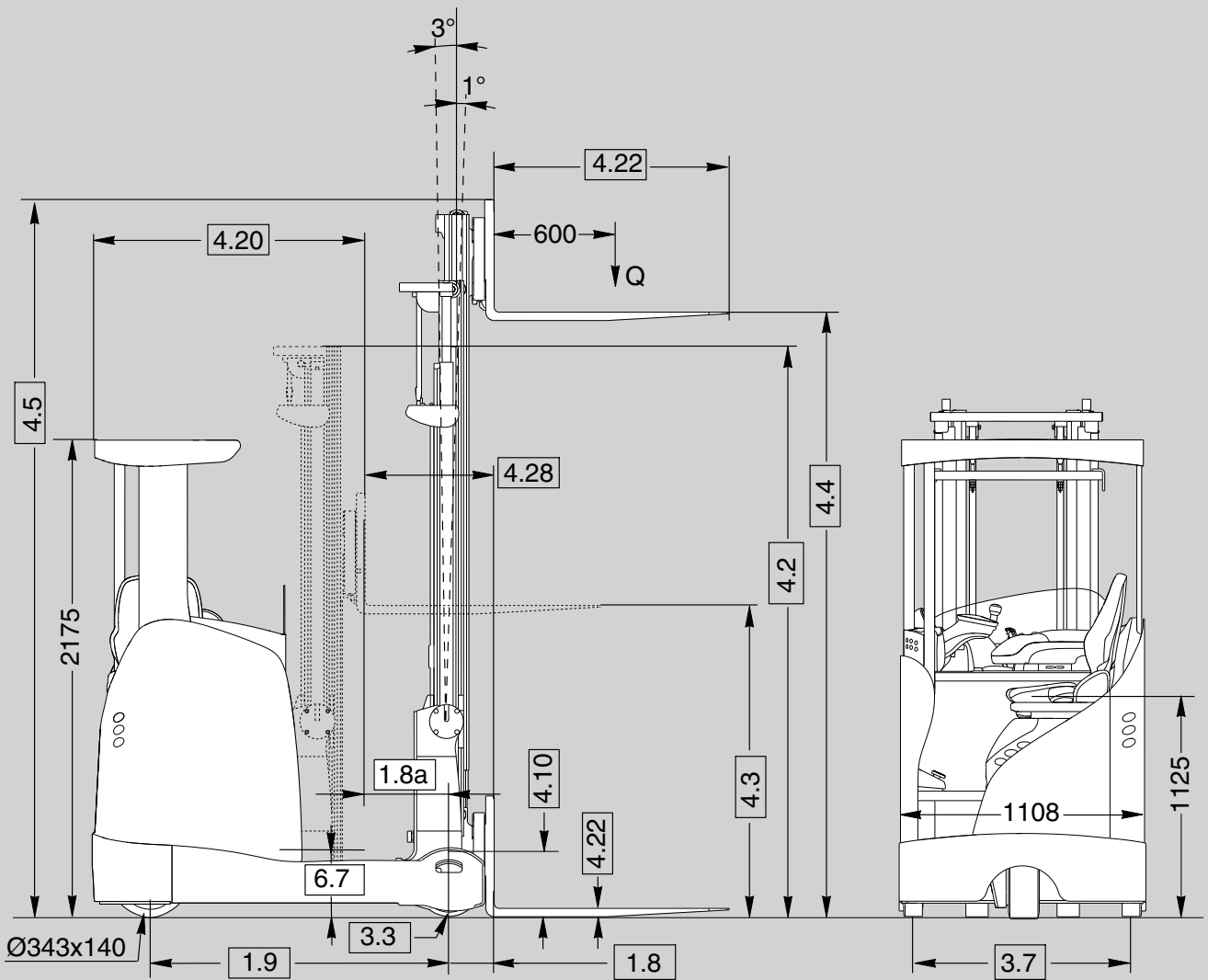
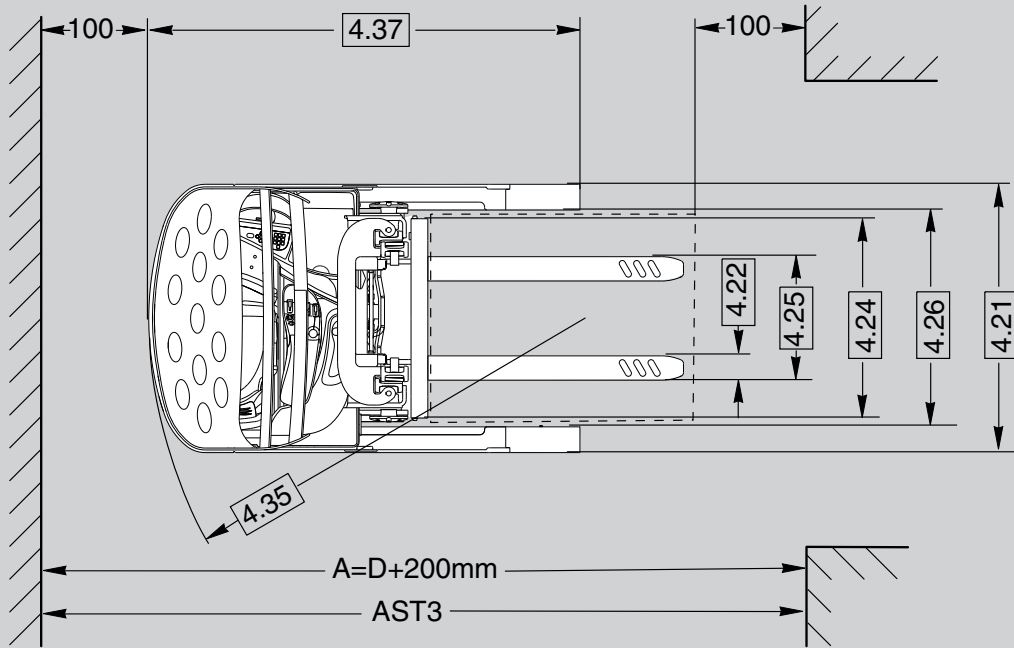
CROWN

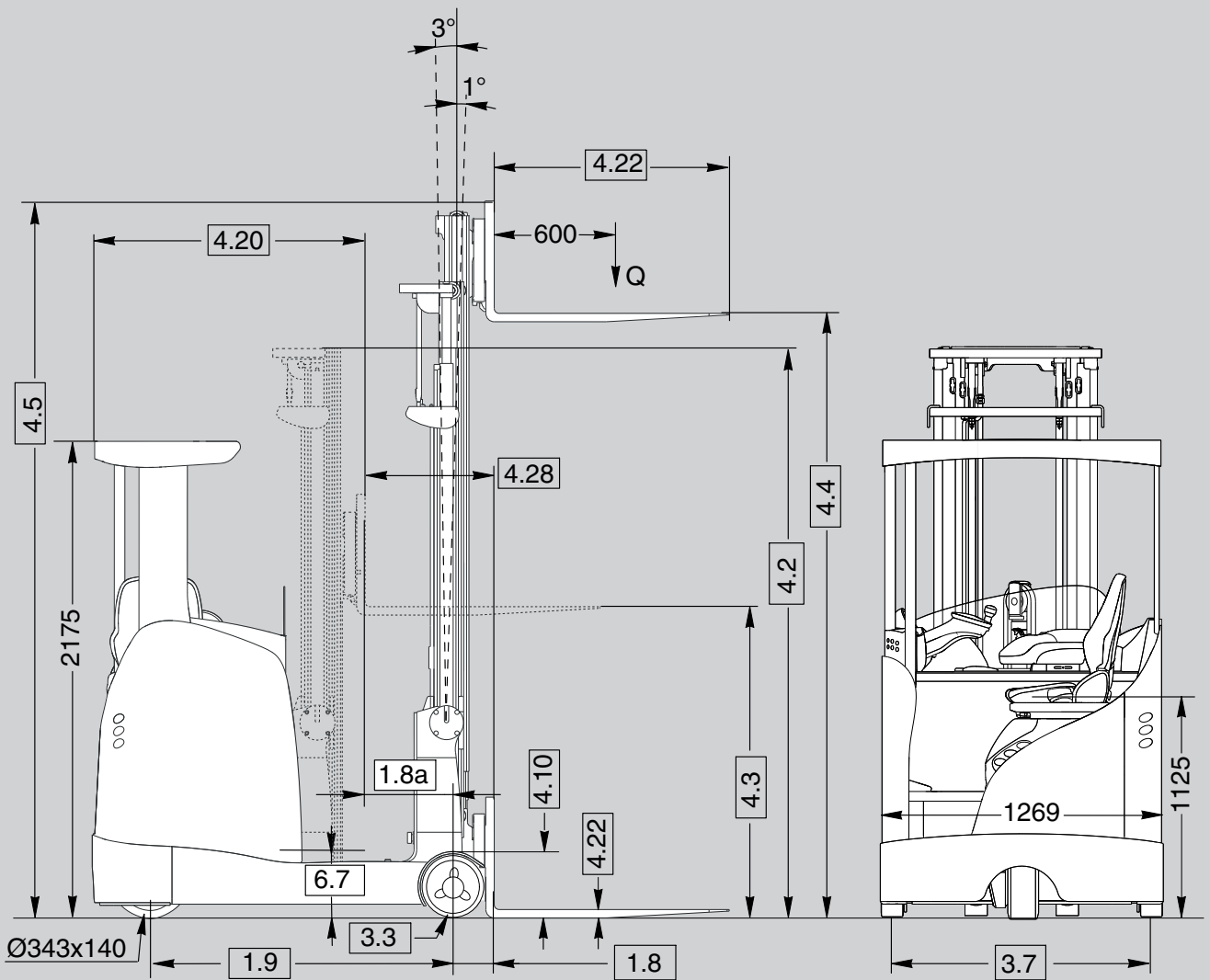
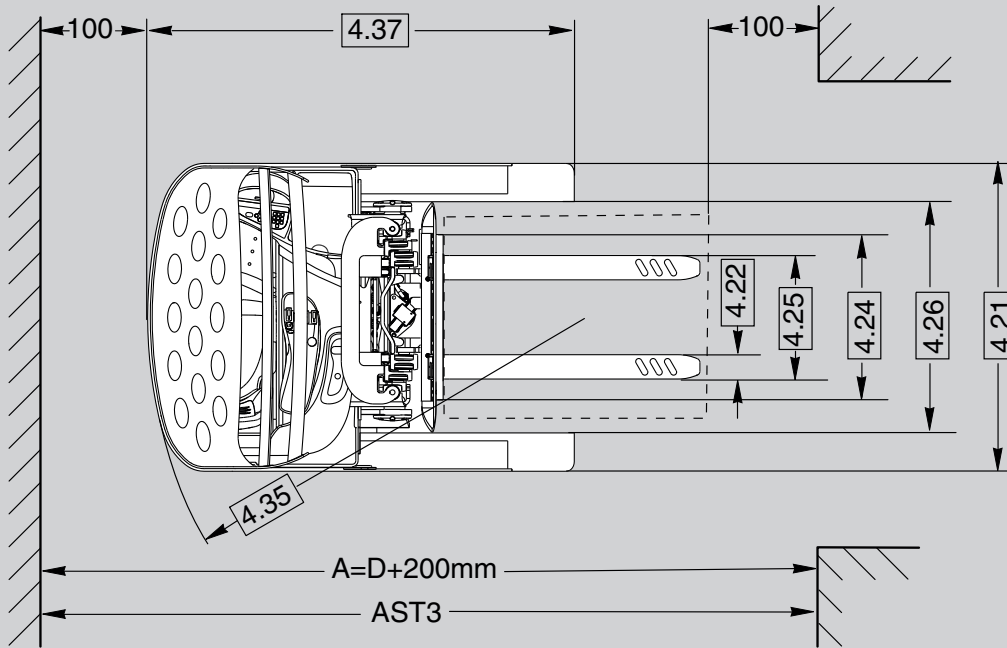
ESR 5200 SERIES

Specifications

Reach Truck





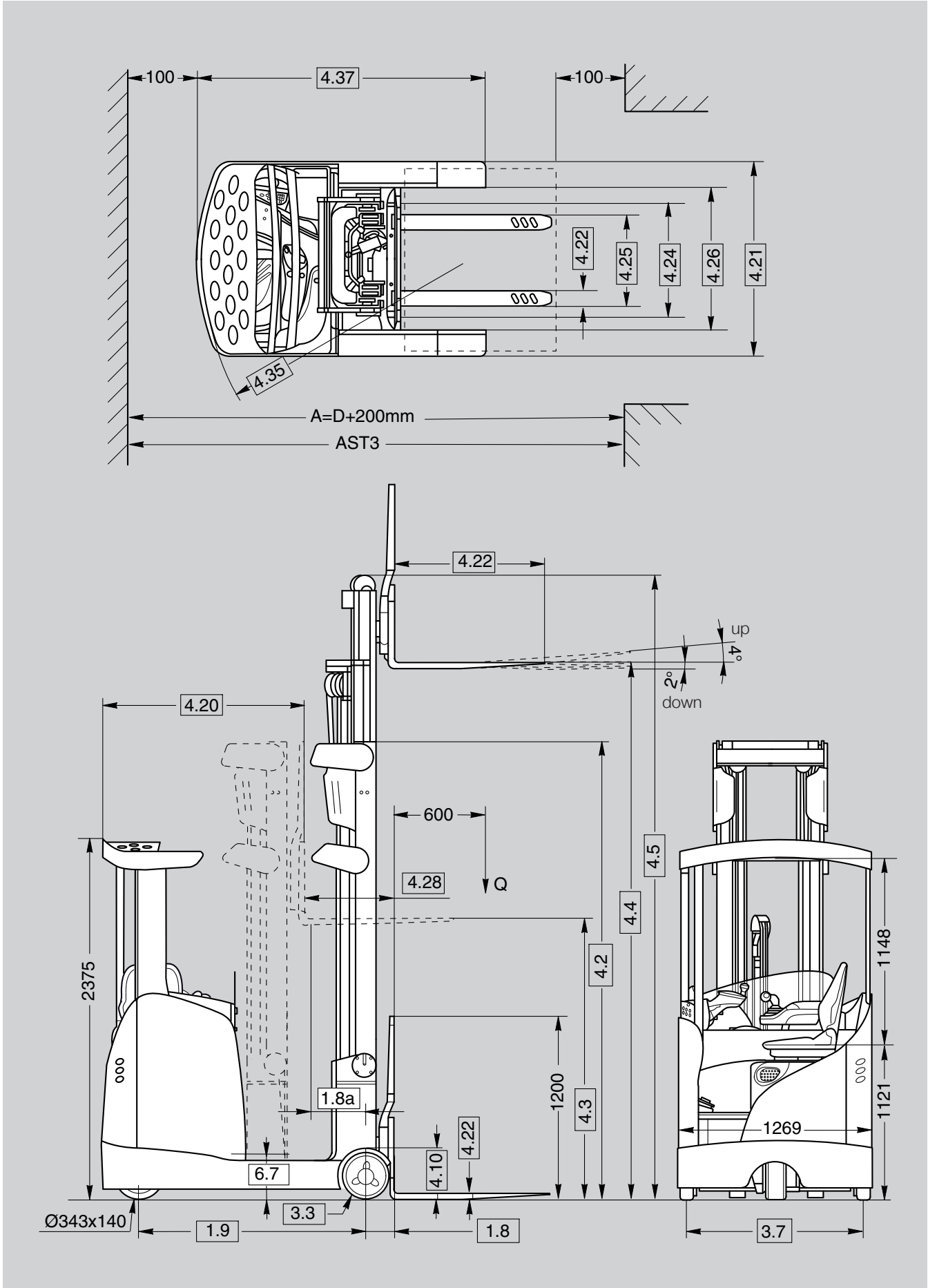


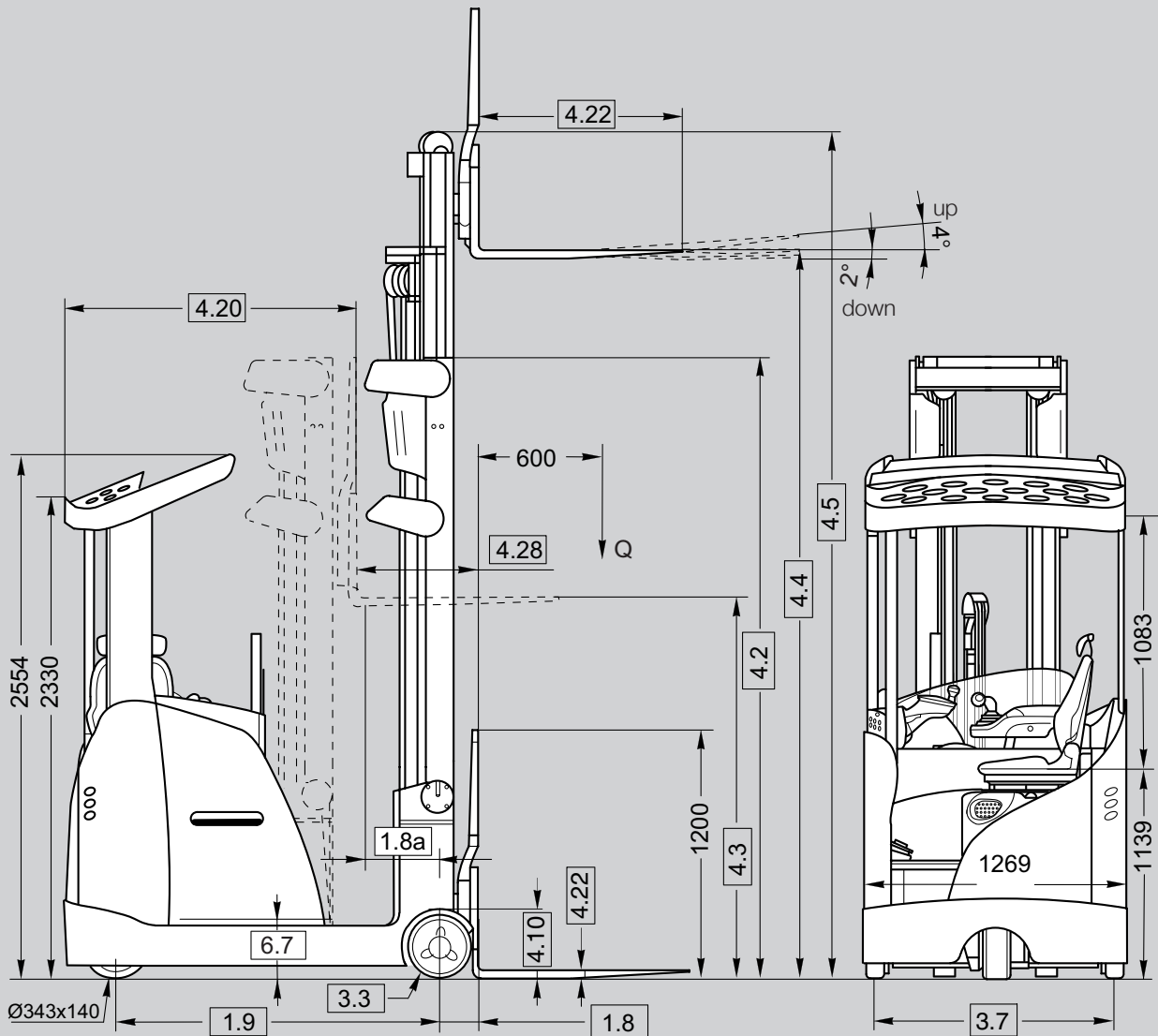
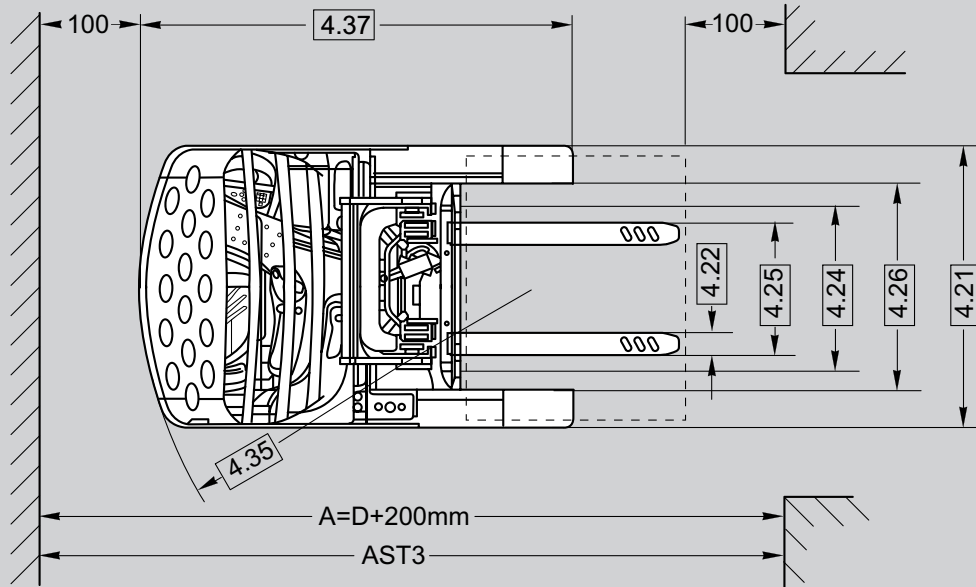
General Information	1.1	Manufacturer	Crown Equipment Corporation						
	1.2	Model			ESR 5220-1.4	ESR 5220-1.6	ESR 5240-1.4	ESR 5240-1.6	
	1.3	Power	electric						
	1.4	Operator Type	sit down						
	1.5	Load Capacity	Q	t	1.4	1.6	1.4	1.6	
	1.6	Load Centre	c	mm	600				
	1.8	Load Distance	mast extended	x	mm	202		187	
	1.8a		mast retracted	x1	mm	see table of dimensions 6		see table of dimensions 7	
	1.9	Wheel Base	y	mm	1380	1475	1380	1475	
Weights	2.1	Weight	less battery	kg	1855 [▲]		2055 ^{▲▲}		
	2.4	Axle Load	reach extended	kg	see table of dimensions 3				
	2.5		reach retracted	kg	see table of dimensions 3				
Tyres	3.1	Tyre Type	D/L		Vulkollan				
	3.2	Tyres	front	mm	343 x 100				
	3.3		rear	mm	285 x 80		285 x 100		
	3.5	Wheels	no. (x=driven) front/rear		1x / 2				
	3.7	Track Width	rear	b11	mm	see table of dimensions 2			
Dimensions	4.1	Tilt	forward / backward	angle	°	see table of dimensions 4			
	4.2	Mast	collapsed height	h1	mm	see table of dimensions 4			
	4.3	Free Lift	w.o. load backrest	h2	mm	see table of dimensions 4			
	4.4	Lift Height		h3	mm	see table of dimensions 4			
	4.5	Mast	extended height, w.o. lbr	h4	mm	see table of dimensions 4			
	4.7	Overhead Guard Height		h6	mm	2175			
	4.8	Seat Height	compressed	h7	mm	1125			
	4.10	Outrigger Height			mm	312		301	
	4.15	Lowered Fork Height		h13	mm	40	45	40	45
	4.16	Head Room	overhead guard		mm	1034			
	4.20	Headlength		l2	mm	see table of dimensions 6		see table of dimensions 7	
	4.21	Overall Width		b1/b2	mm	1120		1285	
	4.22	Fork Dimension		th	mm	40	45	40	45
	4.23			wxl	mm	100 x 1145			
	4.23	Fork Carriage	ISO class		mm	2 A			
	4.24	Fork Carriage Width	with sideshift	b3	mm	770			
	4.25	Width Across Forks		b5	mm	see table of dimensions 2			
4.26	Inside Straddle		b4	mm	see table of dimensions 2				
4.28	Reach		l4	mm	see table of dimensions 6		see table of dimensions 7		
4.32	Ground Clearance	centre wheelbase	m2	mm	76				
4.33	Working Aisle Width	1000x1200 travers	Ast	mm	see table of dimensions 6		see table of dimensions 7		
4.34		800x1200 length	Ast	mm	see table of dimensions 6		see table of dimensions 7		
4.35	Turning Radius		Wa	mm	1638	1733	1645	1740	
4.37	Length Over Outriggers		l7	mm	1800	1895	1785	1880	
Performance	5.1	Travel Speed *	w./w.o. load		km/h	10.0 / 10.0			
	5.2	Lift Speed	w./w.o. load		m/s	0.4 / 0.6			
	5.3	Lower Speed	w./w.o. load		m/s	0.5 / 0.5			
	5.4	Reach Speed	w./w.o. load		m/s	0.18 / 0.18			
	5.7	Max. Gradeability	w./w.o. load		%	12 / 12			
	5.10	Service Brake	regenerative, electric / load wheel brake			regen. / no	regen. / 1x	regen. / no	regen. / 1x
Motors	6.1	Traction Motor	60 min. rating		kW	9			
	6.2	Lift Motor	15% on time		kW	7.9			
	6.3	Max. Battery Box Size		lxhwx	mm	see table of dimensions 1			
	6.4	Battery Voltage	nominal capacity 5 h rating		V/Ah	48 / see table of dimensions 1			
	6.5	Battery Weight			kg	see table of dimensions 1			
	6.7	Battery Tray Height	w./w.o. rollers		mm	303 / 292			
	Misc.	8.1	Type of Controller	drive / lift / steer			transistor		
8.4		Noise Level		dB(A)	65				

▲ TL mast 2760 mm + option 5 battery

* 1 km/h less in fork direction

▲▲ TL mast 2760 mm + option 1 battery





General Information	1.1	Manufacturer	Crown Equipment Corporation							
	1.2	Model			ESR 5260 1.4	ESR 5260 1.6	ESR 5260 2.0	ESR 5280S 1.6	ESR 5280S 2.0	
	1.3	Power					electric		electric	
	1.4	Operator Type					sit down		sit down	
	1.5	Load Capacity		Q	t	1.4	1.6	2.0	1.6	2.0
	1.6	Load Centre		c	mm	600			600	
	1.8	Load Distance	mast extended	x	mm	187	217	217	217	
	1.8a		mast retracted	x1	mm	see table of dimensions 8			see table of dimensions 8	
	1.9	Wheel Base		y	mm	1380	1475	1475	1475	1550
Weights	2.1	Weight	less battery		kg	2534 [▲]	2557 [▲]	2661 ^{▲▲}	2619 [□]	2729 ^{□□}
	2.4	Axle Load	reach extended		kg	see table of dimensions 3			see table of dimensions 3	
	2.5		reach retracted		kg	see table of dimensions 3			see table of dimensions 3	
Tyres	3.1	Tyre Type	D/L			Vulkollan			Vulkollan	
	3.2	Tyres	front		mm	343 x 140			343 x 140	
	3.3		rear		mm	285 x 100	330 x 100	330 x 100	330 x 100	
	3.5	Wheels	no. (x=driven) front/rear			1x / 2			1x / 2	
	3.7	Track Width	rear	b11	mm	see table of dimensions 2			see table of dimensions 2	
Dimensions	4.1	Fork Carriage Tilt	forward / backward	angle	°	2 / 4			2 / 4	
	4.2	Mast	collapsed height	h1	mm	see table of dimensions 5			see table of dimensions 5	
	4.3	Free Lift *	w.o. load backrest	h2	mm	see table of dimensions 5			see table of dimensions 5	
	4.4	Lift Height		h3	mm	see table of dimensions 5			see table of dimensions 5	
	4.5	Mast **	extended height, w.o. lbr	h4	mm	see table of dimensions 5			see table of dimensions 5	
	4.7	Overhead Guard Height	standard / angled	h6	mm	2375 / 2554			2375 / 2554	
	4.8	Seat Height	compressed	h7	mm	1113			1113	
	4.10	Outrigger Height			mm	301	346	346	346	
	4.15	Lowered Fork Height		h13	mm	40	40	45	40	45
	4.16	Head Room	overhead guard		mm	1021			1164 / 1257	
	4.20	Headlength		l2	mm	see table of dimensions 8			see table of dimensions 8	
	4.21	Overall Width	front / rear	b1/b2	mm	1269 / see table of dimensions 2			1269 / see table 2	
	4.22	Fork Dimension		th	mm	38	45	45	45	45
				wxl	mm	100 x 1145			100 x 1145	
	4.23	Fork Carriage	ISO class		mm	2 A			2 A	
	4.24	Fork Carriage Width	w. lbr / w.o. lbr	b3	mm	770 / 750			770 / 750	
	4.25	Width Across Forks		b5	mm	see table of dimensions 2			see table of dimensions 2	
4.26	Inside Straddle		b4	mm	see table of dimensions 2			see table of dimensions 2		
4.28	Reach		l4	mm	see table of dimensions 8			see table of dimensions 8		
4.32	Ground Clearance	centre wheelbase	m2	mm	76			76		
4.33	Working Aisle Width	1000x1200 travers	Ast	mm	see table of dimensions 8			see table of dimensions 9		
4.34		800x1200 length	Ast	mm	see table of dimensions 8			see table of dimensions 9		
4.35	Turning Radius		Wa	mm	1645	1734	1734	1734	1809	
4.37	Length Over Outriggers		l7	mm	1785	1903	1903	1903	1978	
Performance	5.1	Travel Speed	w./w.o. load		km/h	14.0 / 14.0			14.0 / 14.0	
	5.2	Lift Speed	w./w.o. load		m/s	0.41 / 0.69	0.39 / 0.69	0.32 / 0.54	0.39 / 0.69	0.32 / 0.54
	5.3	Lower Speed	w./w.o. load		m/s	0.57 / 0.57	0.57 / 0.57	0.57 / 0.50	0.57 / 0.57	0.57 / 0.50
	5.4	Reach Speed	w./w.o. load		m/s	0.19 / 0.19			0.19 / 0.19	
	5.7	Max. Gradeability	w./w.o. load		%	12 / 12			12 / 12	
5.10	Service Brake	regenerative, electric / load wheel brakes			regen / 2x			regen / 2x		
Motors	6.1	Traction Motor	60 min. rating		kW	9			9	
	6.2	Lift Motor	15% on time		kW	16.5			16.5	
	6.3	Max. Battery Box Size		lxhwx	mm	see table of dimensions 1			see table of dimensions 1	
	6.4	Battery Voltage	nominal capacity 5 h rating		V/Ah	48 / see table of dimensions 1			48 / see table 1	
	6.5	Battery Weight			kg	see table of dimensions 1			see table of dimensions 1	
	6.7	Battery Tray Height	w./w.o. rollers		mm	303 / 292			303 / 292	
Misc.	8.1	Type of Controller	drive / lift / steer			transistor			transistor	
	8.2	Available Working Pressure for Attachments			bar	210			210	
	8.4	Noise Level			dB(A)	65			65	

▲ 4890 mm + option 1 battery

▲▲ 4595 mm + option 2 battery

□ 4595 mm + option 2 battery

□□ 4595 mm + option 2 battery

* with load backrest 1.4 / 1.6 t -650 mm; 2.0 t -535 mm

** with load backrest 1.4 / 1.6 t +650 mm; 2.0 t +535 mm

Table 1 Battery

	Battery Type		DIN C				DIN B				Length	Height
			Option 1	Option 2	Option 3	Option 4	Option 5	Option 6	Option 7	Option 8		
6.4	Battery Capacity	Ah	420-465	560-620	700-775	840-930	280-310	420-465	560-620	700-775		
6.5	Battery Weight min.-max.	kg	713-838	892-1056	1063-1258	1241-1467	542-621	709-816	890-1027	1063-1202		
6.3	Battery Box Size		Width				Width					
	ESR 5220 – 1.4	mm	–	–	–	–	263	353	443	–	1035	784
	ESR 5220 – 1.6	mm	–	–	–	–	–	353	443	533		
	ESR 5240 – 1.4	mm	283	355	427	–	–	–	–	–	1223	784
	ESR 5240 – 1.6	mm	283	355	427	–	–	–	–	–		
	ESR 5260 – 1.4	mm	283	355	427	–	–	–	–	–		
	ESR 5260 – 1.6	mm	283	355	427	499	–	–	–	–		
	ESR 5260 – 2.0	mm	–	355	427	499	–	–	–	–		
	ESR 5280S – 1.6 *	mm	–	355	427	–	–	–	–	–		
	ESR 5280S – 2.0 *	mm	–	355	427	499	–	–	–	–		

* TS / DIN = T-Shape or DIN battery compartment, contact Crown for T-Shape battery details.

Table 2 Chassis Frame

		ESR 5220 ESR 5240 ESR 5260 ESR 5280S		Standard	Standard	Option	Standard	Standard
3.7	Track width rear	b11	mm	985	1177	1146	1317	1476
4.21	Overall width rear – chassis bottom	b2	mm	1120	1285	1285	1425	1575
	Overall width rear – chassis middle section	b2	mm	1108	1269	1269	1269	1269
4.24	Fork Carriage	b3	mm	750	750	750	750	980
4.25	Width across forks, max.	b5	mm	695	695	695	695	925
4.26	Width inside straddle	b4	mm	905	965	1070	1105	1255
	Sideshift movement	left / right	mm	50	70	70	70	100

Table 3 Axle Load

					without load			with load		
			Reach		front	rear	total	front	rear	total
ESR 5220-1.4 with battery option 5	7500 TT	2.4	extended	kg	1558	1442	3000	783	3617	4400
		2.5	retracted	kg	1882	1118		1626	2774	
ESR 5240-1.4 with battery option 1	7500 TT	2.4	extended	kg	1536	1664	3200	730	3870	4600
		2.5	retracted	kg	1930	1270		1596	3004	
ESR 5260-1.4 with battery option 1	6090 TT	2.4	extended	kg	1607	1796	3403	807	3996	4803
		2.5	retracted	kg	2164	1239		1941	2862	
ESR 5260-1.6 with battery option 3	7950 TT	2.4	extended	kg	1890	2103	3993	1037	4556	5593
		2.5	retracted	kg	2437	1556		2174	3419	
ESR 5280S-1.6 with battery option 3	10230 TT	2.4	extended	kg	1782	2483	4265	1020	4860	5880
		2.5	retracted	kg	2440	1825		2240	3640	
ESR 5280-2.0 with battery option 3	9155 TT	2.4	extended	kg	2150	2373	4523	1042	5481	6523
		2.5	retracted	kg	2660	1863		2043	4480	
ESR 5280S-2.0 with battery option 3	12000 TT	2.4	extended	kg	2000	3260	5260	1130	6155	7285
		2.5	retracted	kg	2900	2360		2495	4790	

front = drive wheel rear = load wheels

Table 4 Mast Chart ESR 5220 / ESR 5240

Mast			4.4 LIFT	4.2 CLSD	4.3 FREE	4.5 EXTD	4.1 TILT				
							ESR 5220-1.4 ESR 5240-1.4		ESR 5220-1.6 ESR 5240-1.6		
							h3	h1	h2	h4	Fwd.
Tilting Mast	Standard Duty	TL	mm	2760	1990	100	3305	2°	4°	0,5°	3°
			mm	3070	2150		3620				
			mm	3490	2360		4045				
			mm	3810	2520		4360				
			mm	4080	2650		4630				
			mm	4480	2850		5030				
			mm	4710	2970		5260				
			mm	4950	3090		5500				
			mm	5250	3240		5800				
		TT	mm	4210	1935	1415*	4740	1°	3°	0,5°	3°
			mm	4680	2090	1570*	5210				
			mm	5315	2305	1785*	5850				
			mm	5790	2465	1945*	6325				
			mm	6190	2595	2075*	6725				
			mm	6795	2795	2275*	7320				
			mm	7140	2915	2395*	7675				
			mm	7500	3030	2515*	8035				
			mm	7700	3235	2710*	8235				
Tilting Carriage	Standard Duty	TT	mm	7950	3190	2515	8525	2°	4°	2°	4°
			mm	8415	3350	2670	8990				
			mm	8850	3490	2815	9425				
			mm	9090	3570	2900	9665				
			mm	9450 †	3690	3015	10025				

† ESR 5240 only

* Freelif h2 with sideshift: -100 mm

Extended height h4 with sideshift: +15 mm

Table 5 Mast Chart ESR 5260 / ESR 5280S

Mast		TT	4.4 LIFT	4.2 CLSD	4.3 FREE	4.5 EXTD	ESR 5260 - 1.4	ESR 5260-1.6 ESR 5280S-1.6	ESR 5260 - 2.0 ESR 5280S-2.0	
			h3	h1	h2	h4				
4-Roller Tilting Carriage	Heavy Duty	mm	4440	2020	1345	5015	●	●	-	
		mm	4890	2170	1495	5465	●	●	-	
		mm	5340	2320	1645	5915	●	●	-	
		mm	5790	2470	1795	6365	●	●	-	
		mm	6090	2570	1895	6665	●	●	-	
		mm	6690	2770	2095	7265	●	●	-	
		mm	7140	2920	2245	7715	●	●	-	
		mm	7500	3040	2365	8075	●	●	-	
		mm	7950	3190	2515	8525	●	●	-	
		mm	8415	3350	2670	8990	○	○	-	
		mm	8850	3490	2815	9425	○	○	-	
		mm	9450	3690	3015	10025	○	○	-	
		mm	9900	3840	3170	10475	-	○	-	
		mm	10230	3950	3280	10805	-	○	-	
	Super Duty	mm	10835	4250	3580	11460	-	○	-	
		mm	11435	4450	3780	12060	-	○	-	
6-Roller Tilting Carriage	Heavy Duty	mm	4145	2020	1350	4770	-	-	●	
		mm	4595	2170	1500	5220	-	-	●	
		mm	5495	2470	1800	6120	-	-	●	
		mm	6395	2770	2100	7020	-	-	●	
		mm	6845	2920	2250	7470	-	-	●	
		mm	7205	3040	2370	7830	-	-	●	
		mm	8120	3350	2675	8745	-	-	●	
		mm	9155	3690	3020	9780	-	-	●	
		mm	9605	3840	3170	10230	-	-	●	
		mm	9935	3950	3280	10560	-	-	●	
		mm	10835	4250	3580	11460	-	-	●	
		mm	11435	4450	3780	12060	-	-	●	
		Super Duty	mm	9935	4420	3750	10560	-	-	●
			mm	10835	4720	4050	11460	-	-	●
			mm	11435	4920	4250	12060	-	-	●
			mm	12000	5110	4435	12620	-	-	●
mm	12600	5310	4635	13220	-	-	●			
mm	13000	5440	4770	13625	-	-	●			

● = available

○ = option 1 battery compartment not available

Table 6 ESR 5220 Aisle Width

Pallet Size		ESR 5220			1.8a		4.20		4.28		4.33			
		Truck Configuration			Load Distance		Head length		Reach		Aisle Width		Add dimension	
Pallet	Length x Width	Capacity	Battery Size DIN 43531B	Mast	X1		L2		L4		AST3		Integrated Sideshift 1.4	Triplex Mast TT
	mm	Ah		Type	mm	mm	mm	mm	mm	mm	mm	mm		
Euro	800 x 1200	280 - 310	Option 5	TL	472	-	1166	-	674	-	2522	-	17	14
		420 - 465	Option 6	TL	387	482	1251	1251	589	684	2567	2612		
		560 - 620	Option 7	TL	297	392	1341	1341	499	594	2621	2659		
		700 - 775	Option 8	TL	-	302	-	1431	-	504	-	2713		
Euro	1200 x 800	280 - 310	Option 5	TL	472	-	1166	-	674	-	2669	-	26	22
		420 - 465	Option 6	TL	387	482	1251	1251	589	684	2745	2755		
		560 - 620	Option 7	TL	297	392	1341	1341	499	594	2826	2835		
		700 - 775	Option 8	TL	-	302	-	1431	-	504	-	2917		
BSI	1000 x 1200	280 - 310	Option 5	TL	472	-	1166	-	674	-	2638	-	21	17
		420 - 465	Option 6	TL	387	482	1251	1251	589	684	2696	2726		
		560 - 620	Option 7	TL	297	392	1341	1341	499	594	2763	2788		
		700 - 775	Option 8	TL	-	302	-	1431	-	504	-	2854		
BSI	1200 x 1000	280 - 310	Option 5	TL	472	-	1166	-	674	-	2722	-	25	21
		420 - 465	Option 6	TL	387	482	1251	1251	589	684	2793	2808		
		560 - 620	Option 7	TL	297	392	1341	1341	499	594	2871	2884		
		700 - 775	Option 8	TL	-	302	-	1431	-	504	-	2961		
Australian	1165 x 1165	280 - 310	Option 5	TL	472	-	1166	-	674	-	2744	-	23	19
		420 - 465	Option 6	TL	387	482	1251	1251	589	684	2810	2831		
		560 - 620	Option 7	TL	297	392	1341	1341	499	594	2884	2901		
		700 - 775	Option 8	TL	-	302	-	1431	-	504	-	2975		
Asian	1200 x 1200	280 - 310	Option 5	TL	472	-	1166	-	674	-	2782	-	23	19
		420 - 465	Option 6	TL	387	482	1251	1251	589	684	2849	2869		
		560 - 620	Option 7	TL	297	392	1341	1341	499	594	2923	2940		
		700 - 775	Option 8	TL	-	302	-	1431	-	504	-	3013		
GMA 40" x 48"	1219 x 1016	280 - 310	Option 5	TL	472	-	1166	-	674	-	2742	-	25	21
		420 - 465	Option 6	TL	387	482	1251	1251	589	684	2813	2829		
		560 - 620	Option 7	TL	297	392	1341	1341	499	594	2891	2904		
		700 - 775	Option 8	TL	-	302	-	1431	-	504	-	2982		

Table 7 ESR 5240 Aisle Width

Pallet Size		ESR 5240			1.8a		4.20	4.28		4.33			
		Truck Configuration			Load Distance		Head length	Reach		Aisle Width		Add dimension for	
Pallet	Length x Width	Capacity	Battery Size DIN 43531C	Mast	X1		L2	L4		AST3		Integrated Sideshift 1.4	Triplex Mast
	mm	Ah		Type	mm	mm	mm	mm	mm	mm	mm		
Euro	800 x 1200	420 - 465	Option 1	TL	452	547	1186	639	1374	2539	2591	16	12
		560 - 620	Option 2	TL	385	480	1253	572	1441	2575	2620		
		700 - 775	Option 3	TL	315	410	1323	503	1510	2617	2656		
Euro	1200 x 800	420 - 465	Option 1	TL	452	547	1186	639	1374	2694	2706	26	21
		560 - 620	Option 2	TL	385	480	1253	572	1441	2753	2764		
		700 - 775	Option 3	TL	315	410	1323	503	1510	2816	2825		
BSI	1000 x 1200	420 - 465	Option 1	TL	452	547	1186	639	1374	2658	2692	20	16
		560 - 620	Option 2	TL	385	480	1253	572	1441	2705	2734		
		700 - 775	Option 3	TL	315	410	1323	503	1510	2756	2781		
BSI	1200 x 1000	420 - 465	Option 1	TL	452	547	1186	639	1374	2745	2763	24	20
		560 - 620	Option 2	TL	385	480	1253	572	1441	2802	2817		
		700 - 775	Option 3	TL	315	410	1323	503	1510	2861	2875		
Australian	1165 x 1165	420 - 465	Option 1	TL	452	547	1186	639	1374	2766	2790	23	19
		560 - 620	Option 2	TL	385	480	1253	572	1441	2819	2840		
		700 - 775	Option 3	TL	315	410	1323	503	1510	2875	2894		
Asian	1200 x 1200	420 - 465	Option 1	TL	452	547	1186	639	1374	2804	2827	23	19
		560 - 620	Option 2	TL	385	480	1253	572	1441	2857	2878		
		700 - 775	Option 3	TL	315	410	1323	503	1510	2914	2932		
GMA 40" x 48"	1219 x 1016	420 - 465	Option 1	TL	452	547	1186	639	1374	2765	2783	24	20
		560 - 620	Option 2	TL	385	480	1253	572	1441	2822	2837		
		700 - 775	Option 3	TL	315	410	1323	503	1510	2882	2895		

Table 8 ESR 5260 Aisle Width

ESR 5260		6.4 Battery	4.20 Headlength	1.8a Load Distance	4.28 Reach	4.33 & 4.34 Load Size		Aisle Width	
kg	Wa mm	Ah	l2 mm	x1 mm	l4 mm	length mm	width mm	VDI mm	
1400	1645	420 - 465	1281	357	544	800	1200	2591	
						1200	800	2778	
						1000	1200	2724	
						1200	1000	2825	
		560 - 620	1338	300	487	800	1200	2626	
						1200	800	2830	
						1000	1200	2767	
						1200	1000	2875	
		700 - 775	1410	228	415	800	1200	2674	
						1200	800	2896	
						1000	1200	2823	
						1200	1000	2938	
1600	1734	420 - 465	1288	445	662	800	1200	2631	
						1200	800	2788	
						1000	1200	2751	
						1200	1000	2840	
		560 - 620	1345	388	605	800	1200	2662	
						1200	800	2839	
						1000	1200	2791	
						1200	1000	2888	
		700 - 775	1417	316	533	800	1200	2705	
						1200	800	2904	
						1000	1200	2844	
						1200	1000	2950	
		840 - 930	1489	244	461	800	1200	2752	
						1200	800	2970	
						1000	1200	2899	
						1200	1000	3013	
2000	1734	560 - 620	1345	388	605	800	1200	2662	
						1200	800	2839	
						1000	1200	2791	
						1200	1000	2888	
		700 - 775	1417	316	533	800	1200	2705	
						1200	800	2904	
						1000	1200	2844	
						1200	1000	2950	
		840 - 930	1489	244	461	800	1200	2752	
						1200	800	2970	
						1000	1200	2899	
						1200	1000	3013	

Table 9 ESR 5280S Aisle Width

ESR 5280S		6.4 Battery	4.20 Headlength TS / DIN *	1.8a Load Distance TS / DIN *	4.28 Reach TS / DIN *	4.33 & 4.34 Load Size		Aisle Width TS * DIN *	
kg	Wa mm	Ah	l2 mm	x1 mm	l4 mm	length mm	width mm	VDI mm	VDI mm
1600	1734	560 - 620	1433 / 1516	299 / 216	516 / 433	800	1200	2716	2771
						1200	800	2920	2996
						1000	1200	2857	2921
						1200	1000	2964	3038
		700 - 775	1487 / 1588	245 / 144	462 / 361	800	1200	2751	2823
						1200	800	2969	3063
						1000	1200	2898	2979
						1200	1000	3012	3102
2000	1809	560 - 620	1433 / 1514	374 / 293	591 / 510	800	1200	2745	2795
						1200	800	2927	3000
						1000	1200	2876	2936
						1200	1000	2975	3045
		700 - 775	1487 / 1586	320 / 221	537 / 438	800	1200	2777	2843
						1200	800	2976	3067
						1000	1200	2916	2992
						1200	1000	3021	3108
		840 - 930	1559 / 1658	248 / 149	465 / 366	800	1200	2824	2894
						1200	800	3042	3134
						1000	1200	2971	3050
						1200	1000	3084	3173

* TS / DIN = T-Shape or DIN battery compartment, contact Crown for T-Shape battery details.

Standard ● / Optional ○	ESR 5220	ESR 5240	ESR 5260	ESR 5280S
Truck Features				
1120 mm overall width	●			
1285 mm overall width		●	●	●
1425 mm overall width			⑦	○
1575 mm overall width			⑦	
1400 kg lift capacity at 600 mm load centre	●	●		
1600 kg lift capacity at 600 mm load centre	●	●	●	●
2000 kg lift capacity at 600 mm load centre			●	●
Battery Compartment				
48V 280-310 Ah	⑪			
48V 420-465 Ah	○	○	⑦	
48V 560-620 Ah	○	○	○	⑤
48V 700-775 Ah		○	○	⑤
48V 840-930 Ah			⑧	⑥
Battery rollers for horizontal extraction	○	○	○	●
DIN 160 connector	●	●	●	●
SBE 160 connector blue	○	○	○	○
SBE 350 connector blue	○	○	○	○
Controls and Instruments				
Access 1 2 3 [®] comprehensive system control	●	●	●	●
LCD display with keypad and navigation keys	●	●	●	●
Keyless start-up with PIN code	●	●	○	○
Travel/steer direction indicator	●	●	●	●
Real-time clock and date	●	●	●	●
Battery discharge indicator with lift lockout	●	●	●	●
Hour meters for various system functions	●	●	●	●
Fingertip hydraulic controls	●	●	●	○
Dual lever hydraulic controls	○	○	○	○
Multi-task hydraulic controls	○	○	○	●
Driving Features				
Optimised Cornering Speed™	●	●	●	●
e-GEN [®] braking system	●	●	●	●
Loadwheel brake system	⑫	⑫	●	●
Automatic braking for slopes and push-back rack	●	●	●	●
Electro-mechanical parking brake	●	●	●	●
Selectable performance levels (P1, P2, P3)	●	●	●	●
360 Select™ steering system	●	●	●	●
Lifting Features				
Patented offset mast design	●	●	●	●
Tilting duplex mast (TL)	○	○		
Tilting triplex mast (TT)	①	①		
Integrated sideshift for tilting masts	⑫	⑫		
Triplex mast (TT) with tilting fork carriage and sideshift	②	②	●	●
High Level Performance System	②	②	○	○
* Tilt Position Assist (TPA)	②	②	○	○
* Lift height and load weight indicator	②	②	○	○
* Free lift indicator	○	○	○	○
* Smart Rack Height Select (RHS)	⑨	⑨	⑨	⑨
* Capacity Data Monitor (CDM)	⑨	⑨	⑨	⑨
* Two lift cutouts with override	⑨	⑨	⑨	⑨
Sideshift Position Assist (SPA)	②	②	③	③
Lift speed reduction before maximum height	○	○	●	●
Travel speed reduction above 1000 mm lift height	○	○	○	○
Travel speed reduction above free lift	○	○	○	○
No load on outrigger function + override	④	④	④	④
Two raise cutouts with override	○	○	○	○
Colour camera system (fork or mast mounted)	②	②	○	○
Coldstore camera system (fork or mast mounted)	②	②	○	○
ISO class 2 fork carriage	●	●	●	●
Forktip indicators	●	●	●	●
4th hydraulic function	○	○	●	●

* Included in High Level Performance System

Standard ● / Optional ○	ESR 5220	ESR 5240	ESR 5260	ESR 5280S
Lifting Features				
5th hydraulic function			○	○
Energy saving regenerative lowering			○	○
Load backrest	○	○	●	●
Operator Comfort				
MoveSeat™ with 30° rotation				●
MSG 65 seat with adjustable lumbar support	○	○	●	●
FlexBack™ seat backrest			○	●
Suspension seat	●	●		
Heated vinyl seat	○	○	○	○
Headrest	○	○	○	●
Controls mounted on armrest	●	●	●	●
Armrest moves with seat			●	●
Adjustable steering column with tools	●	●		
Adjustable steering column without tools	○	○		●
Automotive-type accelerator and brake pedals	●	●	●	●
Patented high-visibility overhead guard	●	●	●	●
Plexiglass or mesh overhead guard cover	○	○	○	○
Multiple storage areas for tools	●	●	●	●
Low, wide step	●	●	●	●
Desktop with clipboard	○	○	●	●
Safety Features				
Operator presence pedal	●	●	●	●
Seat switch	●	●	●	●
Power disconnect switch	●	●	●	●
Work lights (halogen or LED)	○	○	○	○
Flashing light (strobe or LED)	○	○	○	○
Audible travel alarm	○	○	○	○
Rearview mirror	○	○	○	○
Maintenance Features				
Event code history	●	●	●	●
Built-in diagnostic system	●	●	●	●
InfoPoint™ maps	●	●	●	●
Brushless AC motors	●	●	●	●
Swing-out seat deck for easy access	●	●	●	●
InfoLink [®] fleet management system	○	○	○	○
Work Assist[®] Accessories				
Clipboard	○	○	○	○
Scan gun holder	○	○	○	○
Adjustable arm for WMS monitor	○	○	○	○
12, 24 or 48V power supply	○	○	○	○
Reading light	○	○	○	○
Trash bin			○	○
Beverage holder	○	○	○	○
Storage pocket	○	○	○	○
Special Applications				
Drive-in rack overhead guard	○	○	○	○
Aisle guide rollers		○	○	○
Coldstore condition to -30°C	○	○	○	○
Coldstore cabin with environmental control			○	
Narrow outriggers (1070 mm inside)			⑩	
Load wheel protection		○	○	○

① Lift heights ≤ 7700 mm

② Lift heights > 7700 mm

③ Not available with 5th hydraulic function

④ Stops forks above outriggers if mast is retracted

⑤ Standard or T-shape battery

⑥ 2000 kg only - Standard or T-shape battery

⑦ Not with Coldstore Cabin

⑧ 1600 and 2000 kg only

⑨ Only as part of High Level Performance System

⑩ 1600 kg only, not with 420-465 Ah battery, lift height ≤ 9450 mm

⑪ Available on ESR 5220-1.4

⑫ Standard on ESR 5220-1.6 and ESR 5240-1.6

Driver's Compartment and Controls

A comfortable low, wide step speeds entry. Well-positioned long tubular overhead guard post works as a grab handle. Non-slip floor mat ensures safe and comfortable footing during entry and exit.

Once seated, the operator has the ability to tailor the compartment to "fit". A high quality comfortable seat can be adjusted for the operator's weight. In addition, the seat can be adjusted laterally, as well as for the angle of the backrest.

These adjustments ensure a comfortable position for any operator. The left foot rests on the operator "presence" pedal. The right foot operates an automotive style accelerator and brake pedal arrangement.

The travel direction switch is actuated with the right thumb leaving the fingers of the right hand free to operate all the hydraulic controls. Hydraulic controls allow for easy blending of functions. There are four easily accessible storage compartments. The padded armrest is designed particularly with wrist support in mind.

The display contains information on the truck's operating status, battery discharge indicator, travel direction indicator, steer tyre position indicator, hour meters for various truck operations, performance profile selection and service information for planned maintenance scheduling, fault finding and testing. The information display serves as the PIN input to employ the on-board user code system thereby preventing unauthorised use. The LCD display is well illuminated for excellent visibility.

Integrated Control System with Access 1 2 3®

Crown's Integrated Control System provides unmatched truck control for all primary truck systems:

- Traction motor control
- Hydraulic valve and motor control
- Steer motor control
- Braking
- Information/diagnostic display

Dedicated motor controllers are employed to simplify troubleshooting and minimise replacement cost. All systems are

linked through CAN-Bus, which greatly simplifies wiring while improving diagnostic communication.

Crown's Access 1 2 3 Diagnostics is the most comprehensive fault detection system in the industry. A trained technician can actively view inputs and outputs during truck operation thereby significantly reducing search and downtime. All operator information such as travel and hydraulic parameters, truck monitors, etc. can be obtained and adjusted via the display. No handset or laptop is required – all functions are on-board and easy to use.

Three programmable performance profiles can be selected on the display. These pre-sets allow you to quickly adjust traction and hydraulic parameters to suit application requirements.

Traction System

Selected travel speed remains constant regardless of surfaces, load weight or grades. The travel speed, acceleration, and electric braking ratio can be programmed via the display, facilitating the best possible productivity and energy consumption for each application.

Operators gain confidence and improve performance with Crown's intelligent Optimised Cornering Speed. During cornering OCS recognises whether the operator is driving into or out of a curve, with the system analysing steer tyre angle, driving direction and steering direction. It then automatically adjusts speed and acceleration for maximum safe performance.

Hydraulic System

The control system for the hydraulic pump motor and proportional valves facilitates precise and sensitive execution of all hydraulic functions. All hydraulic parameters such as lift, lower, tilt, side shift, and reach speeds are fully adjustable and can therefore be adapted to different applications.

Three hydraulic functions (lift/lower, tilt, reach) are standard on the ESR 5220-1.4 and 5240-1.4. A fourth function (side shift) is standard on the ESR 5220-1.6, ESR 5240-1.6, ESR 5260 and 5280S and optional on the ESR 5220-1.4 and 5240-1.4. A fifth function can be added to the ESR 5260 and 5280S for accessory control.

Hydraulic hoses are internally reeved through the mast. The internal gear pump reduces the noise level and ensures high efficiency in all applications. The hydraulic oil is filtered twice. The return and suction filters can be exchanged without draining the hydraulic tank.

Moving mast and reach carriage

Crown's unique offset, wide view mast delivers excellent visibility at height as well as for low-level operations. Mast cross-bracing and overhead guard bracing have been angled, and hose and chain rollers have been canted to further enhance visibility. A load backrest designed for maximum visibility is also standard.

The ESR 5220 and 5240 features a range of duplex and triplex masts with limited or full free lift. Tilting masts reduce head length and are ideal for tight aisle widths. The tilting mast also compensates for uneven floors and is the choice when loading at medium heights on unlevelled ground.

The ESR 5260 and 5280S feature heavy duty triplex masts with full free lift, integrated side shift and tilting fork carriage. Mast channels are reinforced to minimise static and dynamic deflection when storing heavy loads at tall lift heights.

Spring dampers are located on the fork carriage to reduce noise while staging. Elastomer dampers between the mast stages and hydraulic dampening in the free lift cylinder reduce noise while lowering.

The anti-friction mast rollers are canted to reduce energy consumption and ensure longer life. The heavy-duty reach carriage moves on four main roller bearings. Two adjustable backing rollers minimise dynamic mast rocking while four adjustable side rollers/slides ensure very smooth movement and precise positioning.

Drive unit

A highly efficient drive unit with helical gears, integrated pinion and vertically mounted 3-phase (AC) traction motor provides quiet, powerful traction performance. The large Vulkollan™ drive wheel offers high load capacity, long life, and excellent travel comfort.

Steering

Advanced AC steering system featuring 360 Select™ control system that allows the operator to choose between 180° and 360° steer tyre rotation to match driving conditions, experience level or personal preference. The system can be locked in either mode with password-protected access. A fail-safe control circuit applies motor braking and parking brake if a fault is detected.

Brakes

A foot pedal applies the service brake. Crown's e-GEN braking system uses the torque of the drive motor to stop and hold the truck. On the ESR 5260 and 5280S braking force is also distributed to the load wheels.

The truck can also be brought to a stop by reversing the travel direction using the electric regenerative plugging function. On ramps, or when interfacing with push back racking, the selectable Truck-Hold feature electronically brakes the truck when the accelerator is released. The operator does not have to apply the brake, improving comfort and control in these applications.

The parking brake is activated by a switch in the operator compartment. The spring-applied/electric release brake is applied on the drive wheel. The parking brake is automatically activated when the operator exits the truck.

Motors

The Crown manufactured 3-phase (AC) motors deliver high torque and seamless reversal. Traction and hydraulic motors are oversized for superior thermal capability and are especially suitable for high loads and high ambient temperature applications.

Safety Regulations

Conforms to European safety standards. Dimensions and performance data given may vary due to manufacturing tolerances. Performance is based upon an average size vehicle and is affected by weight, condition of truck, how it is equipped and the conditions of the operating area. Crown products and specifications are subject to change without notice.

