

Item description/product images

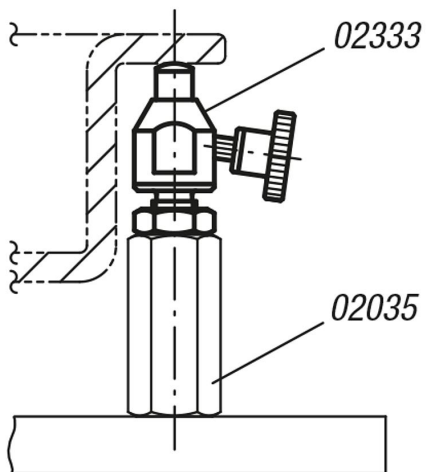
**Description****Material:**

Carbon steel.

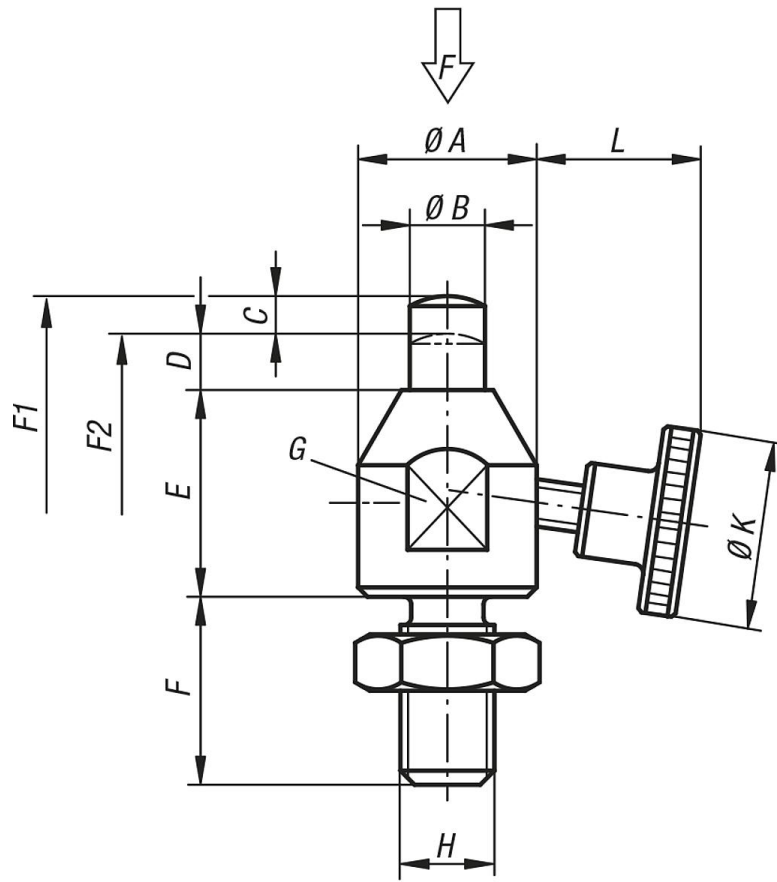
Version:

Body black oxidised.

Rest pad hardened and black oxidised.



Drawings



Overview of items