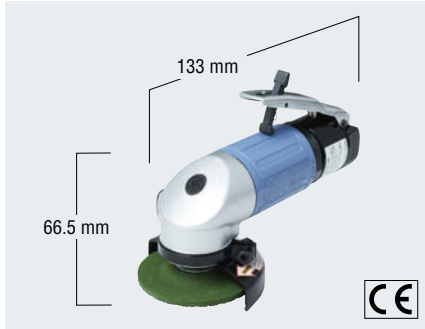


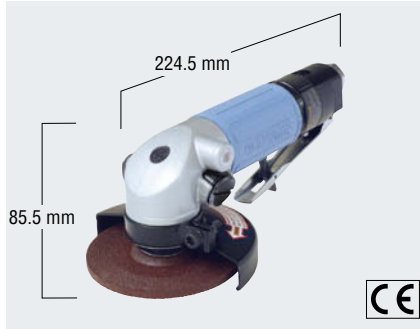
MYTON

A wide variety of models are available to a particular job!

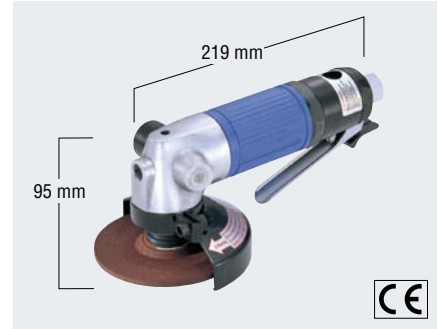
Model **MLG-25** Depressed center wheel 58 mm



Model **MLG-40** Depressed center wheel 100 mm



Model **MAGW-40** Depressed center wheel 100 mm



Specifications

Model		MLG-25	MLG-40	MAGW-40
Rated Air Pressure	MPa (kgf/cm ²)	0.6 {6}	0.6 {6}	0.6 {6}
Air Consumption	m ³ /min	0.42	0.45 (No Load) 0.91 (Load)	0.68 (No load) 0.82 (Load)
Free Speed	min ⁻¹ (rpm)	19,000	13,000	13,000
Depressed Center Grinding Wheel	mm	58	100	100
Hose Size	inch	1/4	3/8	3/8
Mass (Weight)	kg	0.6	1.5	1.55

Standard Accessories			
	<ul style="list-style-type: none"> • Green Disc GS #80 : 1 pc. • 5 mm Hex. Socket Screw Key : 1 pc. • 19 mm Single Ended Spanner : 1 pc. • Bushing R 1/4 × NPT 1/4 : 1 pc. 	<ul style="list-style-type: none"> • 5 mm Hex. Socket Screw Key : 1 pc. • 6 mm Hex. Socket Screw Key : 1 pc. • Bushing R 3/8 × NPT 3/8 : 1 pc. 	<ul style="list-style-type: none"> • 6 mm Hex. Socket Screw Key : 1 pc. • 17 mm Single Ended Spanner : 1 pc. • Bushing R 3/8 × NPT 3/8 : 1 pc.

Model **MAG-50** Depressed center wheel 125 mm



Model **MLG-70** Depressed center wheel 180 mm



Model **MLG-70** Depressed center wheel 180 mm

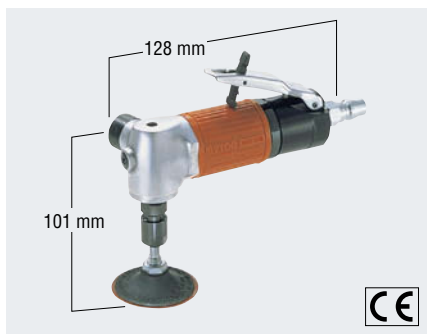


Specifications

Model		MAG-50	MLG-70 Lever Type	MLG-70 Ring Type
Rated Air Pressure	MPa (kgf/cm ²)	0.6 {6}	0.6 {6}	
Air Consumption (No load)	m ³ /min	0.87	0.75 (No load)	1.1 (Load)
Free Speed	min ⁻¹ (rpm)	12,000	7,600	
Depressed Center Grinding Wheel	mm	125	180	
Hose Size	inch	3/8	3/8	
Mass (Weight)	kg	2.2	2.45	2.25

Standard Accessories			
	<ul style="list-style-type: none"> • Air Hose Sub Ass'y : 1 set • Exhaust Hose Ass'y : 1 set • Side Handle Ass'y : 1 set • 4 mm Hex. Socket Screw Key : 1 pc. • Pin Face Wrench : 1 pc. • Bushing R 3/8 × NPT 3/8 : 1 pc. 		<ul style="list-style-type: none"> • 6 mm Hex. Socket Screw Key : 1 pc. • 10 mm Hex. Socket Screw Key : 1 pc. • Bushing R 3/8 × NPT 3/8 : 1 pc. • Handle Ass'y : 1 set. • Wheel Guard Ass'y : 1 set

Model **MAS-20B** Abrasive disc 1", 1-1/2" & 2"



Model **MAS-40** Abrasive disc 100 mm



Model **MAS-70** Abrasive disc 180 mm



Specifications

Model	MAS-20B	MAS-40	MAS-70
Rated Air Pressure MPa (kgf/cm ²)	0.6 {6}	0.6 {6}	0.6 {6}
Air Consumption (No load) m ³ /min	0.4	0.45	0.98
Free Speed min ⁻¹ (rpm)	22,000	13,700	7,500
Abrasive Disc	1", 1-1/2" and 2"	100 mm	180 mm
Hose Size inch	1/4	3/8	3/8
Mass (Weight) kg	0.5	0.9	1.9

Standard Accessories	MAS-20B	MAS-40	MAS-70
	<ul style="list-style-type: none"> • 14 mm Single Ended Spanner : 1 pc. • Cupla 20SH : 1 pc. • Bushing R 1/4 × NPT 1/4 : 1 pc. • Back-up Pad 1" : 1 pc. • Back-up Pad 1-1/2" : 1 pc. • Back-up Pad 2" : 1 pc. • Abrasive Paper 1" × #60, #80, #100, #120 : 2 pcs. each • Abrasive Paper 1-1/2" × #60, #80, #100, #120 : 2 pcs. each • Abrasive Paper 2" × #60, #80, #100, #120 : 2 pcs. each 	<ul style="list-style-type: none"> • 6 mm Hex. Socket Screw Key : 1 pc. • 17 mm Single Ended Spanner : 1 pc. • Bushing R 1/4 × NPT 1/4 : 1 pc. • Hose Nipple NPT 1/4 × 3/8 : 1 pc. 	<ul style="list-style-type: none"> • 10 mm Hex. Socket Screw Key : 1 pc. • 41 mm Single Ended Spanner : 1 pc. • Hose Nipple NPT 3/8 × 3/8 : 1 pc. • Bushing M16 × NPT 3/8 : 1 pc.

Optional Parts

Green Discs for MYTON MLG-25



PN	Description	Qty
TB08872	GS#46 × 58 mm	5 pcs.
TB08873	GS#60 × 58 mm	5 pcs.
TB08874	GS#80 × 58 mm	10 pcs.
TB08875	GS#100 × 58 mm	5 pcs.
TB08876	GS#120 × 58 mm	5 pcs.

★ Green Discs cannot be used on MAG-25.

Disc Pad for MYTON MAS-20B



PN	Description	Qty
TP18576	PAD (1") No.1	1 pc.
TP18575	PAD (1-1/2") No.2	1 pc.
TP18574	PAD (2") No.3	1 pc.

1" Paper for MYTON MAS-20B



PN	Description	Qty
TA9B101	Paper 1" × #40	25 pcs.
TA9B102	Paper 1" × #60	25 pcs.
TA9B103	Paper 1" × #80	25 pcs.
TA9B104	Paper 1" × #100	25 pcs.

PN	Description	Qty
TA9B105	Paper 1" × #120	25 pcs.
TA9B106	Paper 1" × #180	25 pcs.
TA9B107	Paper 1" × #240	25 pcs.
TA9B108	Paper 1" × #320	25 pcs.

1-1/2" Paper for MYTON MAS-20B



PN	Description	Qty
TA9B109	Paper 1-1/2" × #40	25 pcs.
TA9B110	Paper 1-1/2" × #60	25 pcs.
TA9B111	Paper 1-1/2" × #80	25 pcs.
TA9B112	Paper 1-1/2" × #100	25 pcs.

PN	Description	Qty
TA9B113	Paper 1-1/2" × #120	25 pcs.
TA9B114	Paper 1-1/2" × #180	25 pcs.
TA9B115	Paper 1-1/2" × #240	25 pcs.
TA9B116	Paper 1-1/2" × #320	25 pcs.

2" Paper for MYTON MAS-20B



PN	Description	Qty
TA9B117	Paper 2" × #40	25 pcs.
TA9B118	Paper 2" × #60	25 pcs.
TA9B119	Paper 2" × #80	25 pcs.
TA9B120	Paper 2" × #100	25 pcs.

PN	Description	Qty
TA9B121	Paper 2" × #120	25 pcs.
TA9B122	Paper 2" × #180	25 pcs.
TA9B123	Paper 2" × #240	25 pcs.
TA9B124	Paper 2" × #320	25 pcs.