

Item description/product images

**Description****Material:**

Housing steel plate.
Wheels with thermoplastic rubber tread.
Wheel body polypropylene.

Version:

Housing press formed.
Double ball bearing in the castor head.
Plain bearing in wheels.

Note:

Wheel axle threaded. Swivel and fixed castors with bolt hole. Electrically conductive wheels, non-marking grey. The ohmic resistance of the wheel is less than $10^4\Omega$.

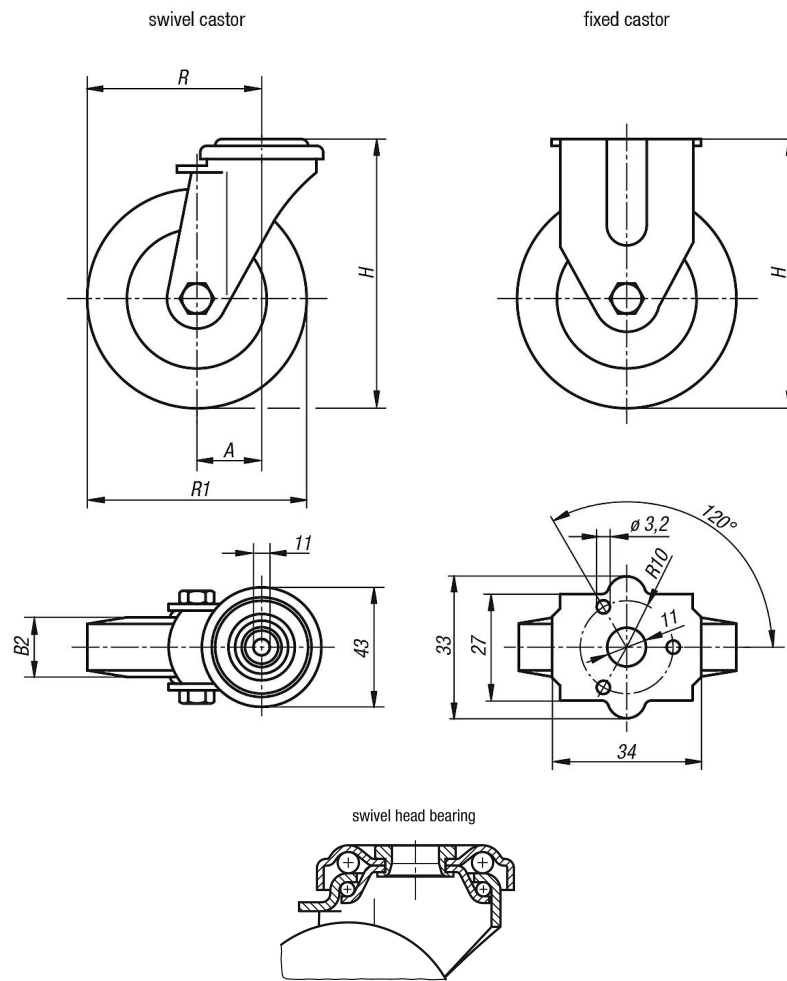
Application:

Electrically conductive wheels on swivel and fixed castors are used to protect against electrostatic discharge generated by transport equipment or the transported goods. Damage to sensitive goods and painful electrostatic shocks to the personal is so prevented.

Temperature range:

-20 °C to +60 °C.

Drawings



Overview of items

Order No. fixed castors	Order No. swivel castors	Order No. with stop-fix	Wheel bearing	A	B2	H	R	R1	Permissible load kg
95010-11050191	95010-1105019	95010-11050192	plain bearing	-/25/25	19	69	-/50/50	50	30
95010-11075251	95010-1107525	95010-11075252	plain bearing	-/29/29	25	98	-/66,5/66,5	75	50
-	95010-1110025	95010-11100252	plain bearing	33/33	25	121	83/83	100	60