



---

## POP<sup>®</sup> Blind rivets

From simple to complex

# The center of excellence for high-performance fastening technology

---

KVT-Fastening is an expert for high-quality fastening applications and offers engineering solutions based on the wide product portfolio of the leading manufacturers in the market.



Mechanical engineering | Automotive | Electrical engineering | Energy | Precision engineering | Fluid power | Transportation | Off-shore and Marine | Medical equipment  
Aviation and aerospace | Construction industry | Watch manufacturing industry

[www.kvt-fastening.com](http://www.kvt-fastening.com)



High-performance solutions from KVT-Fastening are found wherever absolutely safe and secure connections are essential. These small but extremely resilient components play key roles where it matters most – whether in the electronics and energy sector, the automotive and transportation industries, aviation and aerospace, engineering and construction, precision engineering, or medical equipment.

KVT-Fastening does not just supply standard products and individual components, but also provides close and active customer support in the search for ideal solutions, particularly when specific requirements must be fulfilled. This portfolio is complemented by a range of innovative tools and

machines as well as, if needed, the integration into automated serial production workflows.

Ever since 1927, KVT-Fastening has stood for experience, solution-driven know-how, unique expertise in development and consultancy as well as the ultimate in reliability. Since December 2012, KVT-Fastening is a member of the Bossard Group. Bossard is a leading provider of intelligent solutions for industrial fastening technology. The range includes global sales, technical consulting (engineering) and logistics of fastening technology components and bolts. Customers benefit from the extension of competencies in industrial fastening technology and from an optimally enhanced product or service portfolio.



### Multifunctional applicable – everytime perfect

POP® rivets connect reliable two parts independent to the materials. Whether steel, plastics or other materials with different strengths and material thicknesses, the rivets take care of save hold. Even bigger components can be durable connected free from distortion and without surface damage. The danger of corrosion is with this method barred.

POP® rivets can be setted manual oder automatically, the amount of the components affects the choice of the tool. From the pneumatic tool to the rivet setting system with automatic receptical, we have a wide range of tools. Important therefore are the component geometrys, the assembly area and a possible integration in the existing manufacturing process.






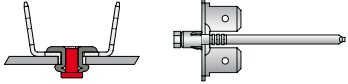
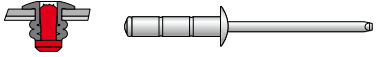
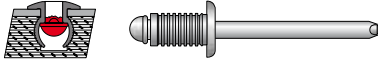


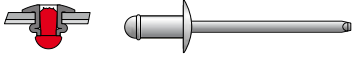

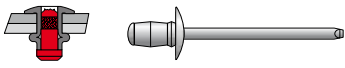
### POP® rivets have for special requirements a big range of several types:

- **Closed end rivets** are used for absolutely water tight applications.
- **High strength F-Grip rivets** offers a wide grip range, high pull-up capability and hole filling with extremely shear/tensile performance.
- **MGR multigrip rivets** can be used in fluctuating material thicknesses or irregular hole sizes
- **Tag rivets** in copper have pre-assembled tags



# Content

**POP®**

8–22	<b>Standard break stem rivets</b> General purpose blind rivet. Available in wide range of materials and head styles.	
23	<b>Micro-blind rivets</b> Available from diameter 2 mm.	
24–32	<b>Closed end rivets, closed design</b> This rivet is ideal for applications that need to be water tight or where mandrel retention is paramount.	
33–34	<b>High-strength F-Grip rivets</b> Large grip range, provides excellent hole fill even in irregular holes, high shear and tensile performance, the mandrel brakes above the shear level.	
<b>Blind rivets for special requirements</b>		
35–36	<b>Load-spreading rivets</b> Special rivet for use in vulnerable, friable and the softest of materials. Version: aluminum / aluminum	
37	<b>Terminal-tag rivets</b> Copper-rivet with preassembled tags.	
38–41	<b>MGR multigrip rivets</b> For use with fluctuating material thicknesses or in irregular holes.	
42	<b>Grooved blind rivets</b> This type fixes with the grooves into wood and other soft/fibrous base materials. Also suitable for use in blind non-through holes.	
43–44	<b>Peel-rivets</b> Ideal for joining softer and more brittle materials such as plastics, rubber, wood or laminate.	
45	<b>Flush-setting rivets</b> A special rivet developed for electronic applications. It is possible to set the rivet flush on both sides of the application.	
46–49	<b>High-retention rivets</b> High retention rivet with a increased blind side expansion, mandrel retention and rattle resistance after setting.	
50–53	<b>Vgrip™-rivets</b> A new high performance multigrip rivet with excellent claim properties and wide blind side expansion.	
54–55	<b>High-strength rivets</b> High shear and tensile strength, a positively retained stem and a large secondary expansion.	
56–66	Tools	
67–68	Technical informations	

Technical performances, installation recommendations as well as unspecified tolerances regarding the dimensions of the parts have to be requested individual for each application before starting the series production. All dimensions are specified in mm.

# Blind rivets overview

Blind rivet series	Rivet body material	Mandrel material				Head shape
		Aluminum	Steel	Stainless steel	Bronze	
Standard break stem blind rivets	Aluminum	•				Domed head
		•				Large flange
			•	○		Large flange
			•	○		Domed head
			•	○		Countersunk 120°
	Steel			•		Countersunk 120°
				•		Domed head
	Stainless steel				•	Domed head
					○	Countersunk 120°
	Nickel/Copper			•	•	Domed head
			•	•	Large flange	
			•	•	Countersunk 120°	
Micro-blind rivets	Aluminum	•				Domed head
			•			Domed head
Closed-end rivets, closed design	Aluminum	•		○		Domed head
			•	•		Domed head
				○		Large flange
				•	○	Countersunk 120°
	Steel			•		Domed head
					•	Domed head
	Stainless steel				•	Large closing head
					○	Domed head
Nickel/Copper			•	○	Domed head	
			•	○	Domed head	
High-strength F-Grip rivets	Aluminum		•			Domed head
	Steel		•			Domed head
Load-spreading rivets	Aluminum	•				Domed head
		•				Large flange
Terminal-tag rivets	Copper		•			Special design
MGR multigrip rivets	Aluminum		•	•		Domed head
				○	○	Large flange
	Steel			○		Domed head
				○		Large flange
Grooved blind rivets	Aluminum		○			Domed head
Peel rivets	Aluminum		•			Domed head
			•			Large flange
Flush-setting rivets	Steel		•			Countersunk 120°
High-retention rivets	Steel		•			Domed head
			•			Large flange
	Stainless steel				•	Domed head
					•	Countersunk 120°
Vgrip™-rivets	Aluminum		•			Domed head
			•			Large flange
	Steel		•			Domed head
			•			Large flange
High-strength rivets	Steel		•			Domed head
	Aluminum	•				Domed head

Rivet diameters overview														Page
2.0	2.4	2.5	2.8	3.0	3.2	3.3	4.0	4.1	4.8	5.0	6.0	6.4		
					•		•		•				8 – 9	
					•		•		•				10	
					•		•		•				11	
	•			•	•		•		•	•	•	•	12 – 13	
	•				•		•		•				14	
	•				•		•		•				15	
			•	•	•		•		•	•	•	•	16 – 17	
					•		•		•				18	
					•		•		•				19	
			•		•		•		•			•	20	
									•				21	
			•		•		•		•			•	22	
		•		•									23	
•													23	
					•		•		•				24	
					•		•		•			•	25	
					•		•		•				26	
					•		•		•				27	
					•		•		•				28	
					•		•		•			•	29	
							•		•				30	
					•		•		•				31	
					•		•		•				32	
					◦		◦		•				33	
					◦		◦		•				34	
					•		•		•				35	
									•				36	
							•						37	
					•		•		•			•	38	
					•		•		•				39	
					•		•		•				40	
					•		•		•				41	
						•		•		•			42	
					•		•		•				43	
									•				44	
				•									45	
					•		•		•		•		46	
									•		•		47	
					•		•		•				48	
					•		•		•				49	
									•				50	
									•				51	
									•				52	
									•				53	
												•	54	
												•	55	

• included in the product range ◦ on request

# Standard break stem blind rivets

Domed head

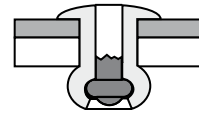


## Material




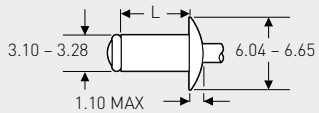
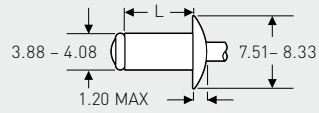
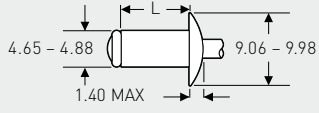
Body: Aluminum, 2.5% Magnesium

Mandrel: Aluminum

Rivets with countersunk on request



3-D Data: <http://kvt.partcommunity.com>

Rivet-Ø	Length nominal	Grip range	Order description	Hole size Ø				
3.2	4.8	- 1.6	<a href="#">AD 41 ABS</a>	3.3		1040	680	1.93
	6.5	1.6 - 3.2	<a href="#">AD 42 ABS</a>					
	8.0	3.2 - 4.8	<a href="#">AD 43 ABS</a>					
	9.5	4.8 - 6.4	<a href="#">AD 44 ABS</a>					
	11.1	6.4 - 7.9	<a href="#">AD 45 ABS</a>					
	12.7	7.9 - 9.5	<a href="#">AD 46 ABS</a>					
	15.9	9.5 - 12.7	<a href="#">AD 48 ABS</a>					
4.0	19.0	12.7 - 15.9	<a href="#">AD 410 ABS</a>	4.1		1550	1000	2.41
	7.0	- 3.2	<a href="#">AD 52 ABS</a>					
	8.5	3.2 - 4.8	<a href="#">AD 53 ABS</a>					
	10.2	4.8 - 6.4	<a href="#">AD 54 ABS</a>					
	13.3	6.4 - 9.5	<a href="#">AD 56 ABS</a>					
4.8	16.5	9.5 - 12.7	<a href="#">AD 58 ABS</a>	4.9		2220	1400	2.90
	7.6	- 3.2	<a href="#">AD 62 ABS</a>					
	10.8	3.2 - 6.4	<a href="#">AD 64 ABS</a>					
	14.0	6.4 - 9.5	<a href="#">AD 66 ABS</a>					
	17.2	9.5 - 12.7	<a href="#">AD 68 ABS</a>					
	20.3	12.7 - 15.9	<a href="#">AD 610 ABS</a>					
	23.5	15.9 - 19.1	<a href="#">AD 612 ABS</a>					
29.8	19.1 - 25.4	<a href="#">AD 616 ABS</a>						



# Standard break stem blind rivets

Domed head

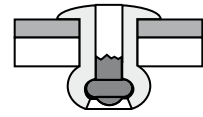


## Material




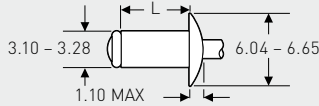
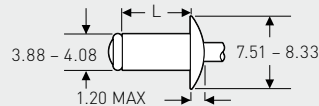
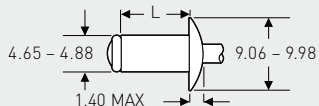
Body: Aluminum 99.5%

Mandrel: Aluminum

Availability on request



3-D Data: <http://kvt.partcommunity.com>

Rivet-Ø	Length nominal	Grip range	Order description	Hole size Ø				
						N	N	
3.2	4.8	- 1.6	PAD 41 ABS	3.3		370	280	1.93
	6.5	1.6 - 3.2	PAD 42 ABS					
	8.0	3.2 - 4.8	PAD 43 ABS					
	9.5	4.8 - 6.4	PAD 44 ABS					
	12.7	6.4 - 9.5	PAD 46 ABS					
	15.9	9.5 - 12.7	PAD 48 ABS					
4.0	10.2	3.2 - 6.4	PAD 54 ABS	4.1		640	460	2.41
4.8	10.8	3.2 - 6.4	PAD 64 ABS	4.9		910	640	2.90
	14.0	6.4 - 9.5	PAD 66 ABS					

# Standard break stem blind rivets

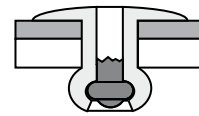
Large flange






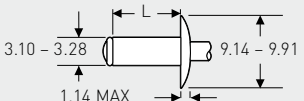
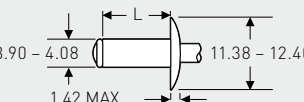
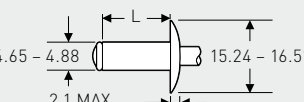
**Material**

Body: Aluminum, 2.5% magnesium

Mandrel: Aluminum



3-D Data: <http://kvt.partcommunity.com>

Rivet-Ø	Length nominal	Grip range	Order description	Hole size Ø				
3.2	6.5	- 3.2	AD 42 ABSLF	3.3		1040	680	1.93
	9.5	3.2 - 6.4	AD 44 ABSLF					
4.0	10.2	3.2 - 6.4	AD 54 ABSLF	4.1		1550	1000	2.41
4.8	10.8	3.2 - 6.4	AD 64 ABSLF	4.9		2200	1400	2.90
	14.0	6.4 - 9.5	AD 66 ABSLF					
	17.2	9.5 - 12.7	AD 68 ABSLF					
	20.3	12.7 - 15.9	AD 610 ABSLF					
	23.5	15.9 - 19.1	AD 612 ABSLF					

# Standard break stem blind rivets

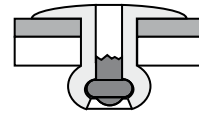
## Large flange






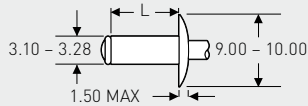
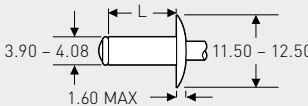
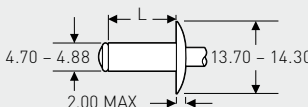
### Material

Body: Aluminum, 3.5% magnesium

Mandrel: Steel galvanized



3-D Data: <http://kvt.partcommunity.com>

Rivet-Ø	Length nominal	Grip range	Order description	Hole size Ø				
						N	N	
3.2	6.2	- 3.2	<a href="#">TAPD 44 BSLF9,5</a>	3.3		1200	800	1.83
	8.0	3.2 - 4.8	<a href="#">TAPD 46 BSLF9,5</a>					
	9.7	4.8 - 6.4	<a href="#">TAPD 48 BSLF9,5</a>					
	11.5	6.4 - 7.9	<a href="#">TAPD 410 BSLF9,5</a>					
	13.5	7.9 - 9.5	<a href="#">TAPD 412 BSLF9,5</a>					
	17.0	9.5 - 12.7	<a href="#">TAPD 416 BSLF9,5</a>					
4.0	8.5	- 4.8	<a href="#">TAPD 56 BSLF12</a>	4.1		1910	1330	2.29
	10.5	4.8 - 6.4	<a href="#">TAPD 58 BSLF12</a>					
	12.2	6.4 - 7.9	<a href="#">TAPD 510 BSLF12</a>					
	14.0	7.9 - 9.5	<a href="#">TAPD 512 BSLF12</a>					
	15.7	9.5 - 11.1	<a href="#">TAPD 514 BSLF12</a>					
	17.5	11.1 - 12.7	<a href="#">TAPD 516 BSLF12</a>					
4.8	9.2	- 4.8	<a href="#">TAPD 66 BSLF14</a>	4.9		2800	2020	2.64
	11.0	4.8 - 6.4	<a href="#">TAPD 68 BSLF14</a>					
	12.7	6.4 - 7.9	<a href="#">TAPD 610 BSLF14</a>					
	14.5	7.9 - 9.5	<a href="#">TAPD 612 BSLF14</a>					
	16.5	9.5 - 11.1	<a href="#">TAPD 614 BSLF14</a>					
	19.0	11.1 - 13.5	<a href="#">TAPD 617 BSLF14</a>					
25.5	13.5 - 19.8	<a href="#">TAPD 625 BSLF14</a>						

# Standard break stem blind rivets

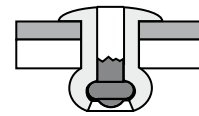
Domed head






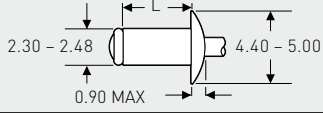
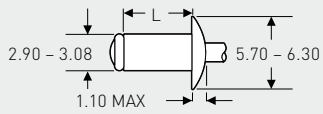
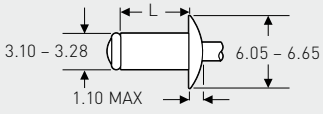
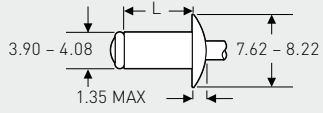
## Material

Body: Aluminum, 3.5% magnesium

Mandrel: Steel galvanized



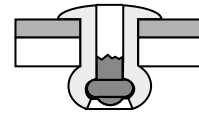
3-D Data: <http://kvt.partcommunity.com>

Rivet-Ø	Length nominal	Grip range	Order description	Hole size Ø				
2.4	3.5	- 0.8	TAPD 31 BS	2.5		500	400	1.42
	5.0	0.8 - 2.4	TAPD 33 BS					
	7.5	2.4 - 4.8	TAPD 36 BS					
3.0	5.0	- 2.0	SNAD 3050 BS	3.1		1000	800	1.83
	6.5	2.0 - 3.5	SNAD 3065 BS					
	8.0	3.5 - 5.0	SNAD 3080 BS					
	10.0	5.0 - 7.0	SNAD 3100 BS					
	12.0	7.0 - 9.0	SNAD 3120 BS					
3.2	15.0	9.0 - 12.0	SNAD 3150 BS	3.3		1200	800	1.83
	4.5	- 1.6	TAPD 42 BS					
	6.0	1.6 - 3.2	TAPD 44 BS					
	8.0	3.2 - 4.8	TAPD 46 BS					
	9.7	4.8 - 6.4	TAPD 48 BS					
	11.5	6.4 - 7.9	TAPD 410 BS					
	13.5	7.9 - 9.5	TAPD 412 BS					
	15.0	9.5 - 11.1	TAPD 414 BS					
	17.0	11.1 - 12.7	TAPD 416 BS					
	18.5	12.7 - 14.3	TAPD 418 BS					
4.0	20.0	14.3 - 16.7	TAPD 421 BS	4.1		1910	1330	2.29
	24.0	16.7 - 20.7	TAPD 425 BS					
	7.0	- 3.2	TAPD 54 BS					
	8.5	3.2 - 4.8	TAPD 56 BS					
	10.5	4.8 - 6.4	TAPD 58 BS					
	12.2	6.4 - 7.9	TAPD 510 BS					
	14.0	7.9 - 9.5	TAPD 512 BS					
	15.7	9.5 - 11.1	TAPD 514 BS					
	17.5	11.1 - 12.7	TAPD 516 BS					
	18.5	12.7 - 13.5	TAPD 517 BS					
	20.2	13.5 - 15.9	TAPD 520 BS					
	22.5	15.9 - 17.4	TAPD 522 BS					
24.7	17.4 - 19.8	TAPD 525 BS						




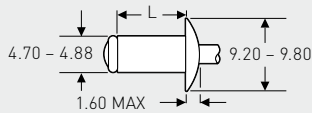
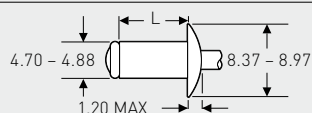
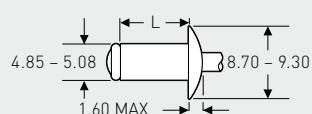
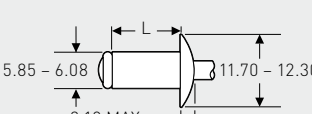
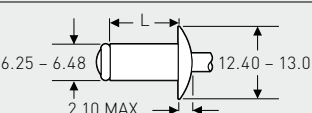
# Standard break stem blind rivets

Domed head

See page 12



3-D Data: <http://kvt.partcommunity.com>

Rivet-Ø	Length nominal	Grip range	Order description	Hole size Ø				
						N	N	
4.8	7.5	2.4 – 3.2	TAPD 64 BS	4.9		2800	2020	2.64
	9.2	3.2 – 4.8	TAPD 66 BS					
	11.0	4.8 – 6.4	TAPD 68 BS					
	12.7	6.4 – 7.9	TAPD 610 BS					
	14.7	7.9 – 9.5	TAPD 612 BS					
	16.5	9.5 – 11.1	TAPD 614 BS					
	19.0	11.1 – 13.5	TAPD 617 BS					
	25.5	13.5 – 19.8	TAPD 625 BS					
	32.0	19.8 – 26.2	TAPD 633 BS					
4.8	38.2	26.2 – 32.8	TAPD 6150 BS*	4.9		2710	1950	2.64
	44.5	32.8 – 39.1	TAPD 6175 BS*					
5.0	6.5	- 3.5	SNAD 5065 BS	5.1		2600	2200	2.64
	8.0	3.5 – 4.5	SNAD 5080 BS					
	10.0	4.5 – 6.0	SNAD 5100 BS					
	12.0	6.0 – 7.5	SNAD 5120 BS					
	14.0	7.5 – 9.5	SNAD 5140 BS					
	16.0	9.5 – 11.5	SNAD 5160 BS					
	18.0	11.5 – 13.5	SNAD 5180 BS					
	20.0	13.5 – 15.5	SNAD 5200 BS					
	22.0	15.5 – 17.5	SNAD 5220 BS					
	25.0	17.5 – 20.5	SNAD 5250 BS					
6.0	8.0	0.5 – 3.5	SNAD 6080 BS	6.1		3800	3000	3.20
	10.0	3.5 – 5.5	SNAD 6100 BS					
	12.0	5.5 – 7.5	SNAD 6120 BS					
	14.0	7.5 – 9.5	SNAD 6140 BS					
	16.0	9.5 – 11.5	SNAD 6160 BS					
	18.0	11.5 – 13.5	SNAD 6180 BS					
	20.0	13.5 – 15.5	SNAD 6200 BS					
6.4	12.7	- 6.4	TAPD 88 BS	6.5		4525	3200	3.66
	19.5	6.4 – 12.7	TAPD 816 BS					
	26.2	12.7 – 19.8	TAPD 824 BS					

\* Body: Aluminum, 5% magnesium

# Standard break stem blind rivets

Countersunk 120°

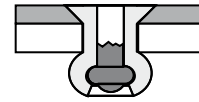


## Material



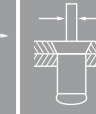
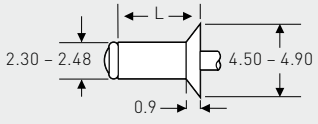
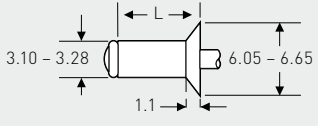
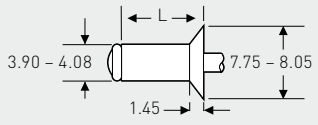
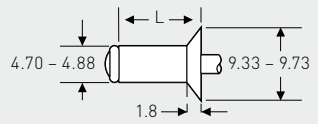
Body: Aluminum, 3.5% magnesium

Mandrel: Steel galvanized

Diameter 3.0 and 5.0 on request



3-D Data: <http://kvt.partcommunity.com>

Rivet-Ø	Length nominal	Grip range	Order description	Hole size Ø				
						N	N	
2.4	4.5	0.9 – 1.6	<a href="#">TAPK 31 BS</a>	2.5		500	400	1.42
	6.0	1.6 – 3.2	<a href="#">TAPK 33 BS</a>					
	8.5	3.2 – 5.6	<a href="#">TAPK 36 BS</a>					
3.2	5.5	1.1 – 2.7	<a href="#">TAPK 42 BS</a>	3.3		1200	800	1.83
	7.5	2.7 – 4.3	<a href="#">TAPK 44 BS</a>					
	9.0	4.3 – 5.8	<a href="#">TAPK 46 BS</a>					
	11.0	5.8 – 7.4	<a href="#">TAPK 48 BS</a>					
	12.7	7.4 – 9.0	<a href="#">TAPK 410 BS</a>					
	14.5	9.0 – 10.6	<a href="#">TAPK 412 BS</a>					
	16.2	10.6 – 12.2	<a href="#">TAPK 414 BS</a>					
	18.0	12.2 – 13.8	<a href="#">TAPK 416 BS</a>					
19.7	13.8 – 15.4	<a href="#">TAPK 418 BS</a>						
4.0	8.5	1.45 – 4.5	<a href="#">TAPK 54 BS</a>	4.1		1910	1330	2.29
	10.0	4.5 – 6.1	<a href="#">TAPK 56 BS</a>					
	12.0	6.1 – 7.7	<a href="#">TAPK 58 BS</a>					
	13.5	7.7 – 9.3	<a href="#">TAPK 510 BS</a>					
	15.5	9.3 – 10.9	<a href="#">TAPK 512 BS</a>					
	17.0	10.9 – 12.4	<a href="#">TAPK 514 BS</a>					
	19.0	12.4 – 14.0	<a href="#">TAPK 516 BS</a>					
	20.0	14.0 – 14.8	<a href="#">TAPK 517 BS</a>					
	22.0	14.8 – 17.2	<a href="#">TAPK 520 BS</a>					
4.8	9.5	1.8 – 4.8	<a href="#">TAPK 64 BS</a>	4.9		2800	2020	2.64
	11.0	4.8 – 6.4	<a href="#">TAPK 66 BS</a>					
	13.0	6.4 – 7.9	<a href="#">TAPK 68 BS</a>					
	14.5	7.9 – 9.5	<a href="#">TAPK 610 BS</a>					
	16.5	9.5 – 11.1	<a href="#">TAPK 612 BS</a>					
	18.2	11.1 – 12.7	<a href="#">TAPK 614 BS</a>					
	21.0	12.7 – 15.1	<a href="#">TAPK 617 BS</a>					
	27.5	15.1 – 21.4	<a href="#">TAPK 625 BS</a>					
	34.0	21.4 – 27.8	<a href="#">TAPK 633 BS</a>					

# Standard break stem blind rivets

Countersunk 120°

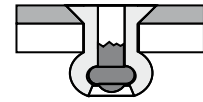


## Material




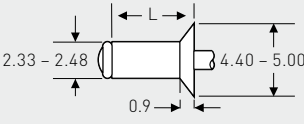
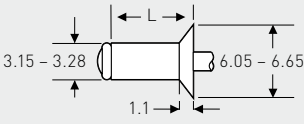
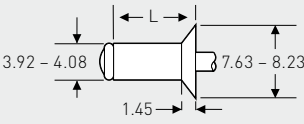
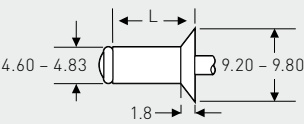
Body: Steel galvanized

Mandrel: Steel galvanized

Diameter 3.0 and 5.0 on request



3-D Data: <http://kvt.partcommunity.com>

Rivet-Ø	Length nominal	Grip range	Order description	Hole size Ø				
						N	N	
2.4	6.1	0.9 – 3.2	TSPK 33 BS	2.5		1000	700	1.42
	8.5	3.2 – 6.0	TSPK 36 BS					
3.2	5.4	1.1 – 2.7	TSPK 42 BS	3.3		1550	1150	1.93
	7.3	2.7 – 4.3	TSPK 44 BS					
	9.0	4.3 – 5.8	TSPK 46 BS					
	10.8	5.8 – 7.4	TSPK 48 BS					
	12.6	7.4 – 9.0	TSPK 410 BS					
	14.4	9.0 – 10.6	TSPK 412 BS					
	16.1	10.6 – 12.2	TSPK 414 BS					
	17.9	12.2 – 13.8	TSPK 416 BS					
4.0	6.5	1.45 – 2.9	TSPK 52 BS	4.1		2500	1730	2.29
	8.5	2.9 – 4.5	TSPK 54 BS					
	10.0	4.5 – 6.1	TSPK 56 BS					
	12.0	6.1 – 7.7	TSPK 58 BS					
	13.5	7.7 – 9.3	TSPK 510 BS					
	15.5	9.3 – 10.9	TSPK 512 BS					
	17.0	10.9 – 12.4	TSPK 514 BS					
	19.0	12.4 – 14.0	TSPK 516 BS					
4.8	9.3	2.4 – 4.8	TSPK 64 BS	4.9		3500	2620	2.90
	11.1	4.8 – 6.4	TSPK 66 BS					
	12.8	6.4 – 7.9	TSPK 68 BS					
	14.6	7.9 – 9.5	TSPK 610 BS					
	16.4	9.5 – 11.1	TSPK 612 BS					
	18.2	11.1 – 12.7	TSPK 614 BS					
	20.0	12.7 – 14.3	TSPK 616 BS					
	21.0	14.3 – 15.1	TSPK 617 BS					

# Standard break stem blind rivets

Domed head

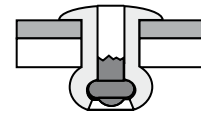


## Material




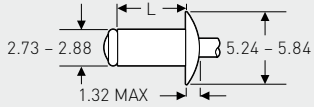
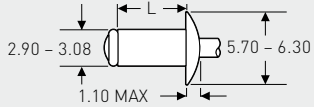
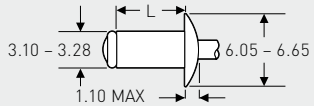
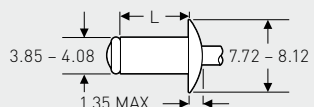
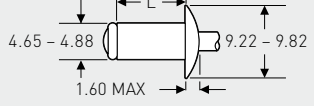
Body: Steel galvanized

Mandrel: Steel galvanized

Further lengths on request



3-D Data: <http://kvt.partcommunity.com>

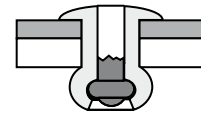
Rivet- $\varnothing$	Length nominal	Grip range	Order description	Hole size $\varnothing$				
2.8	5.3	0.5 - 2.9	TSPD 33 BS	2.9		930	715	1.83
3.0	5.0	- 2.0	SNSD 3050 BS	3.1		1400	1100	1.83
	6.5	2.0 - 3.5	SNSD 3065 BS					
	8.0	3.5 - 5.0	SNSD 3080 BS					
	10.0	5.0 - 7.0	SNSD 3100 BS					
	12.0	7.0 - 9.0	SNSD 3120 BS					
3.2	15.0	9.0 - 12.0	SNSD 3150 BS	3.3		1550	1150	1.93
	4.5	- 1.6	TSPD 42 BS					
	6.0	1.6 - 3.2	TSPD 44 BS					
	8.0	3.2 - 4.8	TSPD 46 BS					
	9.5	4.8 - 6.4	TSPD 48 BS					
	11.5	6.4 - 7.9	TSPD 410 BS					
	13.5	7.9 - 9.5	TSPD 412 BS					
	15.0	9.5 - 11.1	TSPD 414 BS					
4.0	17.0	11.1 - 12.7	TSPD 416 BS	4.1		2500	1730	2.29
	19.0	12.7 - 14.3	TSPD 418 BS					
	7.0	1.6 - 3.2	TSPD 54 BS					
	8.5	3.2 - 4.8	TSPD 56 BS					
	10.5	4.8 - 6.4	TSPD 58 BS					
4.8	12.2	6.4 - 7.9	TSPD 510 BS	4.9		3500	2620	2.90
	14.0	7.9 - 9.5	TSPD 512 BS					
	6.5	- 2.4	TSPD 63 BS					
	7.5	2.4 - 3.2	TSPD 64 BS					
	9.3	3.2 - 4.8	TSPD 66 BS					
	11.0	4.8 - 6.4	TSPD 68 BS					
	12.7	6.4 - 7.9	TSPD 610 BS					
	14.5	7.9 - 9.5	TSPD 612 BS					
16.5	9.5 - 11.1	TSPD 614 BS						
18.3	11.1 - 12.7	TSPD 616 BS						
19.0	12.7 - 13.5	TSPD 617 BS						






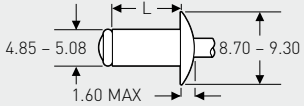
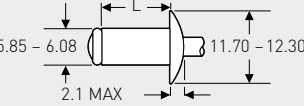
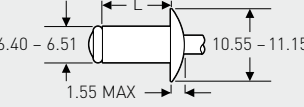
# Standard break stem blind rivets

Domed head

See page 16



3-D Data: <http://kvt.partcommunity.com>

Rivet-Ø	Length nominal	Grip range	Order description	Hole size Ø				
5.0	6.5	- 2.5	<a href="#">SNSD 5065 BS</a>	5.1		3790	2880	2.90
	8.0	2.5 - 4.0	<a href="#">SNSD 5080 BS</a>					
	10.0	4.0 - 6.0	<a href="#">SNSD 5100 BS</a>					
	12.0	6.0 - 8.0	<a href="#">SNSD 5120 BS</a>					
	14.0	8.0 - 10.0	<a href="#">SNSD 5140 BS</a>					
	16.0	10.0 - 12.0	<a href="#">SNSD 5160 BS</a>					
	18.0	12.0 - 14.0	<a href="#">SNSD 5180 BS</a>					
6.0	10.0	2.0 - 4.0	<a href="#">SNSD 6100 BS</a>	6.1		5500	4200	3.65
	12.0	4.0 - 6.0	<a href="#">SNSD 6120 BS</a>					
	14.0	6.0 - 8.0	<a href="#">SNSD 6140 BS</a>					
	16.0	8.0 - 10.0	<a href="#">SNSD 6160 BS</a>					
	18.0	10.0 - 12.0	<a href="#">SNSD 6180 BS</a>					
6.4	9.5	0.5 - 3.8	<a href="#">TSPD 8095 BS</a>	6.5		5700	5000	3.86
	13.0	3.8 - 7.6	<a href="#">TSPD 8130 BS</a>					
	18.5	7.6 - 12.7	<a href="#">TSPD 8185 BS</a>					
	21.6	12.7 - 15.9	<a href="#">SD 810 BS</a>					
	24.8	15.9 - 19.1	<a href="#">SD 812 BS</a>					
	27.9	19.1 - 22.2	<a href="#">SD 814 BS</a>					
	31.1	22.2 - 25.4	<a href="#">SD 816 BS</a>					

# Standard break stem blind rivets

Domed head

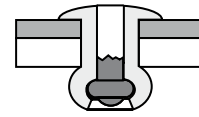


## Material




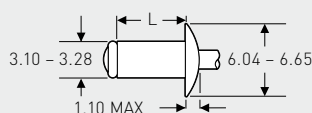
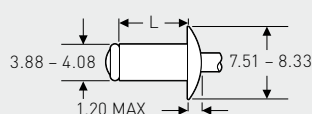
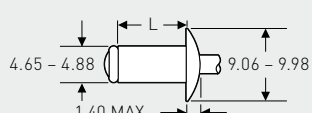
Body: Stainless steel

Mandrel: Stainless steel

Rivets with large flange on request

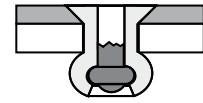


3-D Data: <http://kvt.partcommunity.com>

Rivet-Ø	Length nominal	Grip range	Order description	Hole size Ø				
						N	N	
3.2	4.8	0.8 – 1.6	SSD 41 SSBS	3.3		3000	2400	1.93
	6.4	1.6 – 3.2	SSD 42 SSBS					
	8.0	3.2 – 4.8	SSD 43 SSBS					
	9.5	4.8 – 6.4	SSD 44 SSBS					
	12.7	6.4 – 9.5	SSD 46 SSBS					
	15.9	9.5 – 12.7	SSD 48 SSBS					
4.0	7.0	1.6 – 3.2	SSD 52 SSBS	4.1		5000	4000	2.41
	10.2	3.2 – 6.4	SSD 54 SSBS					
	13.3	6.4 – 9.5	SSD 56 SSBS					
4.8	7.6	1.6 – 3.2	SSD 62 SSBS	4.9		6100	4400	2.90
	10.8	3.2 – 6.4	SSD 64 SSBS					
	14.0	6.4 – 9.5	SSD 66 SSBS					
	17.2	9.5 – 12.7	SSD 68 SSBS					
	20.3	12.7 – 15.9	SSD 610 SSBS					
	29.7	22.3 – 25.4	SSD 616 SSBS					

# Standard break stem blind rivets

Countersunk 120°






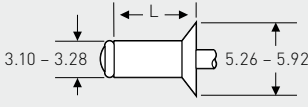
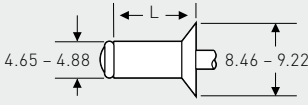
## Material

Body: Stainless steel

Mandrel: Stainless steel

Availability on request

3-D Data: <http://kvt.partcommunity.com>

Rivet-Ø	Length nominal	Grip range	Order description	Hole size Ø				
						N	N	
3.2	6.4	1.6 - 3.2	<a href="#">SSK 42 SSBS</a>	3.3		3110	2440	1.93
	8.0	3.2 - 4.8	<a href="#">SSK 43 SSBS</a>					
	9.5	4.8 - 6.4	<a href="#">SSK 44 SSBS</a>					
4.8	10.8	3.2 - 6.4	<a href="#">SSK 64 SSBS</a>	4.9		6110	4400	2.90
	17.2	9.6 - 12.7	<a href="#">SSK 68 SSBS</a>					

# Standard break stem blind rivets

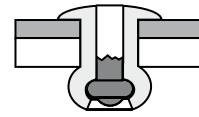
Domed head



## Material

Body: NiCu (nickel/copper-alloy)

Mandrel: Steel galvanized **or** stainless steel



3-D Data: <http://kvt.partcommunity.com>

Rivet-Ø	Length nominal	Grip range	Order description		Hole size Ø	Technical drawing	N	N	N
			Steel	Stainless steel					
2.8	5.0	- 1.8	<a href="#">TLPD 319 BS</a>	*	2.9		1300	1150	1.83
	5.5	1.8 - 2.3	<a href="#">TLPD 321 BS</a>	*					
3.2	5.0	- 1.8	<a href="#">TLPD 419 BS</a>	<a href="#">TLPD 419 SS</a>	3.3		1900	1500	1.93
	6.2	1.8 - 3.1	<a href="#">TLPD 424 BS</a>	<a href="#">TLPD 424 SS</a>					
	7.5	3.1 - 4.3	<a href="#">TLPD 429 BS</a>	<a href="#">TLPD 429 SS</a>					
	9.0	4.3 - 5.8	<a href="#">TLPD 435 BS</a>	<a href="#">TLPD 435 SS</a>					
	10.3	5.8 - 7.1	<a href="#">TLPD 440 BS</a>	<a href="#">TLPD 440 SS</a>					
4.0	6.2	- 2.5	<a href="#">TLPD 524 BS</a>	<a href="#">TLPD 524 SS</a>	4.1		3000	2200	2.29
	7.8	2.5 - 4.1	<a href="#">TLPD 530 BS</a>	<a href="#">TLPD 530 SS</a>					
	9.5	4.1 - 5.8	<a href="#">TLPD 537 BS</a>	<a href="#">TLPD 537 SS</a>					
	10.3	5.8 - 6.6	<a href="#">TLPD 540 BS</a>	<a href="#">TLPD 540 SS</a>					
	11.5	6.6 - 7.9	<a href="#">TLPD 545 BS</a>	<a href="#">TLPD 545 SS</a>					
4.8	6.2	- 2.3	<a href="#">TLPD 624 BS</a>	<a href="#">TLPD 624 SS</a>	4.9		3750	3300	2.90
	7.7	2.3 - 3.8	<a href="#">TLPD 630 BS</a>	<a href="#">TLPD 630 SS</a>					
	9.3	3.8 - 5.1	<a href="#">TLPD 636 BS</a>	<a href="#">TLPD 636 SS</a>					
	10.0	5.1 - 5.8	<a href="#">TLPD 639 BS</a>	<a href="#">TLPD 639 SS</a>					
	12.8	5.8 - 8.6	<a href="#">TLPD 650 BS</a>	<a href="#">TLPD 650 SS</a>					
	16.5	8.6 - 12.5	<a href="#">TLPD 665 BS</a>	<a href="#">TLPD 665 SS</a>					
	19.0	12.5 - 15.0	<a href="#">TLPD 675 BS</a>	<a href="#">TLPD 675 SS</a>					
6.4	12.8	- 7.6	<a href="#">TLPD 850 BS</a>	*	6.6		6750	5400	3.86
	18.0	7.6 - 12.7	<a href="#">TLPD 870 BS</a>	*					

\* Special parts on request

# Standard break stem blind rivets

Large flange

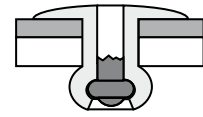


## Material

Body: NiCu (nickel/copper-alloy)

Mandrel: Steel galvanized **or** stainless steel

Availability on request



3-D Data: <http://kvt.partcommunity.com>

Rivet-Ø	Length nominal	Grip range	Order description		Hole size Ø	3-D Data	N	N	N
			Steel	Stainless steel					
4.8	16.5	8.6 - 12.4	<a href="#">TLPD 665 BSLF11</a>	*	4.9		3750	3300	2.90
	19.0	12.4 - 15.0	<a href="#">TLPD 675 BSLF11</a>	*					
	21.5	15.0 - 17.5	<a href="#">TLPD 685 BSLF11</a>	*					

\* Special parts on request

# Standard break stem blind rivets

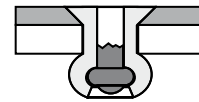
Countersunk 120°



## Material

Body: NiCu (nickel/copper-alloy)

Mandrel: Steel galvanized **or** stainless steel



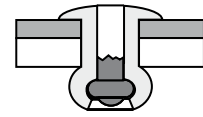
3-D Data: <http://kvt.partcommunity.com>

Rivet-Ø	Length nominal	Grip range	Order description		Hole size Ø	Technical drawing	N	N	N
			Steel	Stainless steel					
2.8	5.5	- 2.3	TLPK 319 BS	*	2.9		1300	1150	1.83
	6.0	2.3 - 2.8	TLPK 321 BS	*					
3.2	4.5	- 0.8	TLPK 413 BS	TLPK 413 SS	3.3		1900	1500	1.93
	5.8	0.8 - 2.5	TLPK 419 BS	TLPK 419 SS					
	7.0	2.5 - 3.8	TLPK 424 BS	TLPK 424 SS					
	8.5	3.8 - 5.1	TLPK 429 BS	TLPK 429 SS					
	10.0	5.1 - 6.6	TLPK 435 BS	TLPK 435 SS					
	11.2	6.6 - 7.9	TLPK 440 BS	TLPK 440 SS					
4.0	7.2	1.0 - 3.3	TLPK 524 BS	TLPK 524 SS	4.1		3000	2200	2.29
	8.7	3.3 - 4.8	TLPK 530 BS	TLPK 530 SS					
	10.5	4.8 - 6.6	TLPK 537 BS	TLPK 537 SS					
	11.3	6.6 - 7.4	TLPK 540 BS	TLPK 540 SS					
	12.5	7.4 - 8.6	TLPK 545 BS	TLPK 545 SS					
4.8	7.5	1.3 - 3.1	TLPK 624 BS	TLPK 624 SS	4.9		3750	3300	2.90
	9.0	3.1 - 4.6	TLPK 630 BS	TLPK 630 SS					
	10.5	4.6 - 5.8	TLPK 636 BS	TLPK 636 SS					
	11.0	5.8 - 6.6	TLPK 639 BS	TLPK 639 SS					
	14.0	6.6 - 9.4	TLPK 650 BS	TLPK 650 SS					
	18.0	9.4 - 13.2	TLPK 665 BS	TLPK 665 SS					
	20.5	13.2 - 15.8	TLPK 675 BS	TLPK 675 SS					
6.4	14.5	4.6 - 8.4	TLPK 850 BS	*	6.6		6750	5400	3.86
	19.4	8.4 - 13.5	TLPK 870 BS	*					

\* Special parts on request

# Micro blind rivets

Domed head




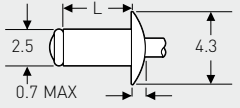
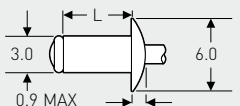


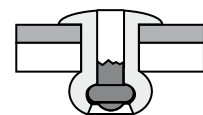
## Material

Body: Aluminum 99.5%

Mandrel: Aluminum

3-D Data: <http://kvt.partcommunity.com>

Rivet-Ø	Length nominal	Grip range	Order description	Hole size Ø				
2.5	7.3	3.2 – 4.8	<a href="#">PAD 25M3 ABS</a>	2.6		345	245	1.45
	8.9	4.8 – 6.4	<a href="#">PAD 25M4 ABS</a>					
	11.4	6.4 – 8.0	<a href="#">PAD 25M5 ABS</a>					
3.0	8.0	3.2 – 4.8	<a href="#">PAD 30M3 ABS</a>	3.1		440	295	1.83
	9.8	4.8 – 6.4	<a href="#">PAD 30M4 ABS</a>					
	11.6	6.4 – 8.0	<a href="#">PAD 30M5 ABS</a>					




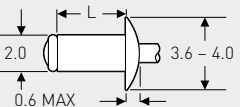


## Material

Body: Aluminum, 3.5% magnesium

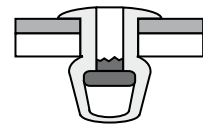
Mandrel: Steel galvanized

3-D Data: <http://kvt.partcommunity.com>

Rivet-Ø	Length nominal	Grip range	Order description	Hole size Ø				
2.0	4.1	- 1.6	<a href="#">TAPD 20M1 BS</a>	2.1		390	295	1.1
	5.7	1.6 – 3.2	<a href="#">TAPD 20M2 BS</a>					
	7.4	3.2 – 4.8	<a href="#">TAPD 20M3 BS</a>					
	9.0	4.8 – 6.4	<a href="#">TAPD 20M4 BS</a>					
	10.7	6.4 – 8.0	<a href="#">TAPD 20M5 BS</a>					

# Closed end rivets

Domed head closed end



closed




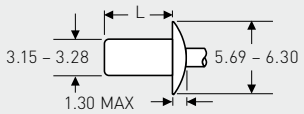
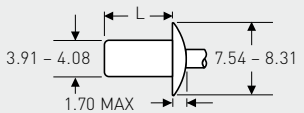
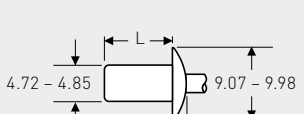
## Material

Body: Aluminum 99.5%

Mandrel: Aluminum

Rivets with countersunk on request

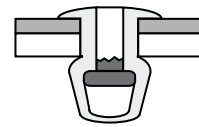
3-D Data: <http://kvt.partcommunity.com>

Rivet-Ø	Length nominal	Grip range	Order description	Hole size Ø				
3.2	7.6	- 3.2	AD 42 AH	3.3		660	460	1.83
	9.2	3.2 - 4.8	AD 43 AH					
	10.8	4.8 - 6.4	AD 44 AH					
4.0	9.6	- 4.8	AD 53 AH	4.1		1050	680	2.29
	11.2	4.8 - 6.4	AD 54 AH					
4.8	8.4	- 3.2	AD 62 AH	4.9		1360	960	2.74
	11.5	3.2 - 6.4	AD 64 AH					
	14.7	6.4 - 9.5	AD 66 AH					
	17.9	9.5 - 12.7	AD 68 AH					



# Closed end rivets

Domed head closed end



closed

## Material

Body: Aluminum, 5% magnesium

Mandrel: Steel **or** stainless steel

3-D Data: <http://kvt.partcommunity.com>

Rivet-Ø	Length nominal	Grip range	Order description		Hole size Ø		N	N	
			Steel	Stainless steel					
3.2	6.0	- 1.6	AD 42 SB	AD 42 SS	3.3		1400	1100	1.63
	7.7	1.6 - 3.2	AD 44 SB	AD 44 SS					
	9.2	3.2 - 4.8	AD 46 SB	AD 46 SS					
	10.8	4.8 - 6.4	AD 48 SB	AD 48 SS					
	12.4	6.4 - 7.9	AD 45 H*	AD 45 SSH*					
4.0	8.0	- 3.2	AD 54 SB	AD 54 SS	4.1		2220	1640	2.18
	9.6	3.2 - 4.8	AD 56 SB	AD 56 SS					
	11.2	4.8 - 6.4	AD 58 SB	AD 58 SS					
	12.8	6.4 - 7.9	AD 510 SB	AD 510 SS					
4.8	8.4	- 3.2	AD 64 SB	AD 64 SS	4.9		3110	2260	2.64
	10.0	3.2 - 4.8	AD 66 SB	AD 66 SS					
	11.6	4.8 - 6.4	AD 68 SB	AD 68 SS					
	13.1	6.4 - 7.9	AD 610 SB	AD 610 SS					
	14.7	7.9 - 9.5	AD 612 SB	AD 612 SS					
	17.9	9.5 - 12.7	AD 616 SB	AD 616 SS					
	22.0	12.7 - 15.9	AD 620 SB	AD 620 SS					
6.4	13.0	- 6.4	AD 84 H	-	6.5		4800	4000	3.66
	16.0	6.4 - 9.5	AD 86 H	-					

# Closed end rivets

## Large flange closed end

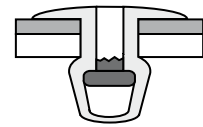


### Material

Body: Aluminum, 5% magnesium




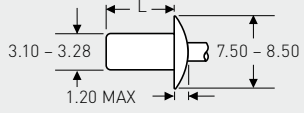
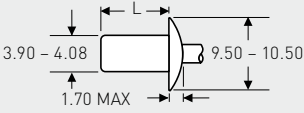
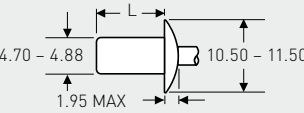
Mandrel: Steel

Availability on request



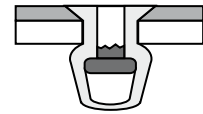
closed

3-D Data: <http://kvt.partcommunity.com>

Rivet-Ø	Length nominal	Grip range	Order description	Hole size Ø				
						N	N	
3.2	6.7	- 1.6	AD 402 SBMLF8	3.3		1400	1100	1.65
	8.3	1.6 - 3.2	AD 404 SBMLF8					
	9.9	3.2 - 4.8	AD 406 SBMLF8					
4.0	8.5	- 3.2	AD 504 SBMLF10	4.1		2220	1640	2.18
	10.2	3.2 - 4.8	AD 506 SBMLF10					
	11.8	4.8 - 6.4	AD 508 SBMLF10					
	13.4	6.4 - 7.9	AD 510 SBMLF10					
4.8	8.9	- 3.2	AD 604 SBMLF11	4.9		3110	2260	2.64
	10.5	3.2 - 4.8	AD 606 SBMLF11					
	12.1	4.8 - 6.4	AD 608 SBMLF11					
	13.5	6.4 - 7.9	AD 610 SBMLF11					
	15.1	7.9 - 9.5	AD 612 SBMLF11					

# Closed end rivets

Countersunk closed end 120°



closed




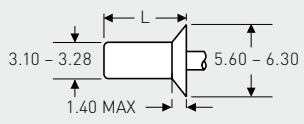
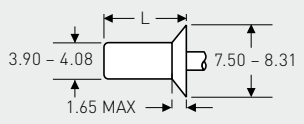
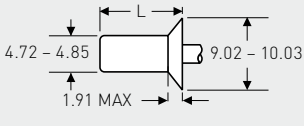
## Material

Body: Aluminum, 5% magnesium

Mandrel: Steel

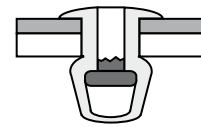
Rivets with stainless steel mandrel on request

3-D Data: <http://kvt.partcommunity.com>

Rivet-Ø	Length nominal	Grip range	Order description	Hole size Ø				
						N	N	
3.2	8.7	1.6 – 3.2	AK 42 H	3.3		1400	1110	1.63
	10.2	3.2 – 4.8	AK 43 H					
	11.8	4.8 – 6.4	AK 44 H					
	13.4	6.4 – 7.9	AK 45 H					
	15.0	7.9 – 9.5	AK 46 H					
4.0	9.4	1.6 – 3.2	AK 52 H	4.1		2220	1640	2.18
	11.0	3.2 – 4.8	AK 53 H					
	12.6	4.8 – 6.4	AK 54 H					
	14.2	6.4 – 7.9	AK 55 H					
	16.0	7.9 – 9.5	AK 56 H					
4.8	10.1	1.6 – 3.2	AK 62 H	4.9		3110	2260	2.64
	13.3	3.2 – 6.4	AK 64 H					
	16.5	6.4 – 9.5	AK 66 H					
	19.5	9.5 – 12.7	AK 68 H					

# Closed end rivets

Domed head closed end



closed




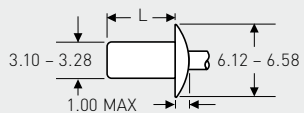
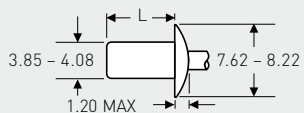
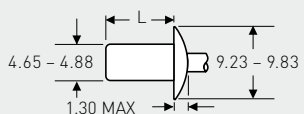
## Material

Body: Steel galvanized

Mandrel: Steel galvanized

Rivets with countersunk and large flange on request

3-D Data: <http://kvt.partcommunity.com>

Rivet-Ø	Length nominal	Grip range	Order description	Hole size Ø				
3.2	9.7	3.2 - 4.8	SD 46 SB	3.3		1200	1150	1.93
4.0	10.2	1.6 - 4.8	SD 56 SB	4.1		1860	1730	2.29
4.8	9.2	- 3.2	SD 64 SB	4.9		2840	2425	2.90
	12.4	3.2 - 6.4	SD 68 SB					

# Closed end rivets

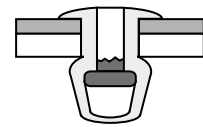
Domed head closed end

## Material

Body: Stainless steel




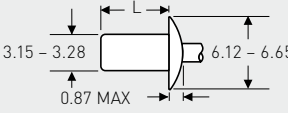
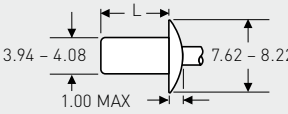
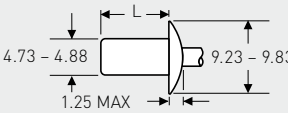
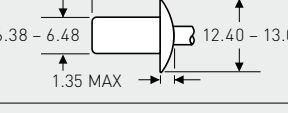
Mandrel: Stainless steel

Rivets with countersunk and large flange on request



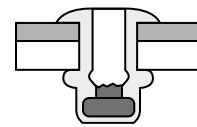
closed

3-D Data: <http://kvt.partcommunity.com>

Rivet-Ø	Length nominal	Grip range	Order description	Hole size Ø				
						N	N	
3.2	6.6	- 1.6	<a href="#">TD 402 GT</a>	3.3		2220	2100	2.00
	8.0	1.6 - 3.2	<a href="#">TD 404 GT</a>					
	9.7	3.2 - 4.8	<a href="#">TD 406 GT</a>					
	11.3	4.8 - 6.4	<a href="#">TD 408 GT</a>					
	12.9	6.4 - 7.9	<a href="#">TD 410 GT</a>					
4.0	8.6	- 3.2	<a href="#">TD 504 GT</a>	4.1		4000	3300	2.36
	10.2	3.2 - 4.8	<a href="#">TD 506 GT</a>					
	11.8	4.8 - 6.4	<a href="#">TD 508 GT</a>					
	13.4	6.4 - 7.9	<a href="#">TD 510 GT</a>					
4.8	9.2	- 3.2	<a href="#">TD 604 GT</a>	4.9		4400	4300	2.97
	10.8	3.2 - 4.8	<a href="#">TD 606 GT</a>					
	12.5	4.8 - 6.4	<a href="#">TD 608 GT</a>					
	15.5	6.4 - 9.5	<a href="#">TD 612 GT</a>					
	18.5	9.5 - 12.7	<a href="#">TD 616 GT</a>					
6.4	14.2	- 6.4	<a href="#">TD 808 GT</a>	6.5		8700	6800	3.93
	15.7	6.4 - 7.9	<a href="#">TD 810 GT</a>					
	20.5	7.9 - 12.7	<a href="#">TD 816 GT</a>					

# Closed end rivets

Large secondary expansion, closed end



closed

## Material




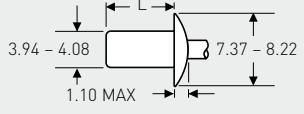
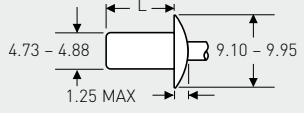
Body: Stainless steel

Mandrel: Stainless steel

## Benefits

Superior clamping force, tightness, high resistance to broaching even in soft materials

3-D Data: <http://kvt.partcommunity.com>

Rivet-Ø	Length nominal	Grip range	Order description	Hole size Ø				
4.0	12.9	4.0 – 6.0	TVD 505 GT	4.1		3000	3000	2.29
4.8	12.3	2.0 – 4.5	TVD 603 GT	5.0		4800	4300	2.97
	13.7	3.5 – 6.0	TVD 605 GT					
	15.3	5.0 – 7.5	TVD 607 GT					
	16.8	6.5 – 9.0	TVD 609 GT					
	19.7	9.0 – 11.5	TVD 613 GT					

# Closed end rivets

Domed head closed end

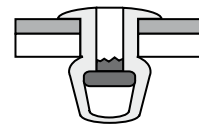
## Material

Body: Copper

Mandrel: Steel

Rivets with countersunk, large flange and stainless steel mandrel on request

Availability on request



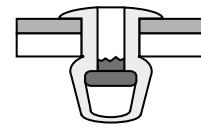
closed

3-D Data: <http://kvt.partcommunity.com>

Rivet-Ø	Length nominal	Grip range	Order description	Hole size Ø				
3.2	6.0	- 1.6	CD 42 SB	3.3		1420	1020	1.63
	7.5	1.6 - 3.2	CD 44 SB					
	9.0	3.2 - 4.8	CD 46 SB					
	12.3	6.4 - 7.9	CD 410 SB*					
4.0	9.5	- 4.8	CD 56 SB	4.1		2260	1550	2.18
	12.7	4.8 - 7.9	CD 510 SB					
4.8	8.5	- 3.2	CD 64 SB	4.9		3110	2130	2.64
	11.5	3.2 - 6.4	CD 68 SB					

# Closed end rivets

Domed head closed end



closed

## Material




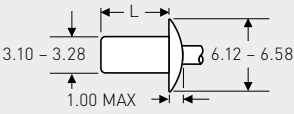
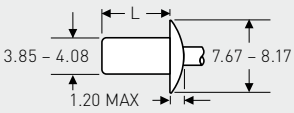
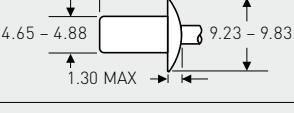
Body: NiCu (copper/alloy)

Mandrel: Steel

Rivets with countersunk and large flange on request

Availability on request

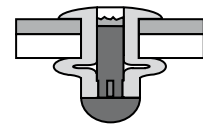
3-D Data: <http://kvt.partcommunity.com>

Rivet-Ø	Length nominal	Grip range	Order description	Hole size Ø				
3.2	8.0	- 3.2	LD 44 SB	3.3		1900	1500	1.93
	9.7	3.2 - 4.8	LD 46 SB					
	11.3	4.8 - 6.4	LD 48 SB					
	13.0	6.4 - 7.9	LD 410 SB					
4.0	8.5	- 3.2	LD 54 SB	4.1		3000	2200	2.29
	10.2	3.2 - 4.8	LD 56 SB					
	11.8	4.8 - 6.4	LD 58 SB					
	13.4	6.4 - 7.9	LD 510 SB					
4.8	9.2	- 3.2	LD 64 SB	4.9		3750	3300	2.90
	10.8	3.2 - 4.8	LD 66 SB					
	12.4	4.8 - 6.4	LD 68 SB					



# High-strength F-Grip rivets

Domed head



- Strong clamping forces
- High pull out performance through discoid secondary expansion
- Rattle resistance because of the positively retained stem
- High durability of the rivet tools because of the grooved mandrel
- Reliable, repeatable rivet function



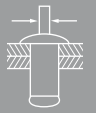
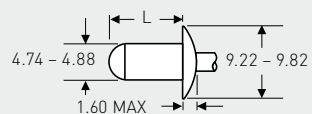
## Material

Body: Aluminum

Mandrel: Steel

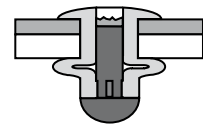
Other dimensions on request

3-D Data: <http://kvt.partcommunity.com>

Rivet-Ø	Length nominal	Grip range	Order description	Hole size Ø				
4.8	11	1.5 – 3.5	<a href="#">FG11-04809-511</a>	4.9 – 5.0		2050	1850	3.00
	14	3.5 – 6.0	<a href="#">FG11-04812-511</a>			2800	2600	
	16	6.0 – 8.5	<a href="#">FG11-04814-511</a>			2800	3500	

# High-strength F-Grip rivets

Domed head



- Strong clamping forces
- High pull out performance through discoid secondary expansion
- Rattle resistance because of the positively retained stem
- High durability of the rivet tools because of the grooved mandrel
- Reliable, repeatable rivet function

## Material

Body: Steel galvanized

Mandrel: Steel galvanized

Other dimensions and availability on request

3-D Data: <http://kvt.partcommunity.com>

Rivet-Ø	Length nominal	Grip range	Order description	Hole size Ø				
4.8	12	1.5 – 3.5	<a href="#">FG21-04809-511</a>	4.9 – 5.0		4250	3600	3.00
	13	2.0 – 5.0	<a href="#">FG21-04810-511</a>			4250	4150	
	14	3.5 – 6.0	<a href="#">FG21-04811-511</a>			4000	4600	
	15	4.5 – 7.0	<a href="#">FG21-04812-511</a>			4000	5000	
	17	6.0 – 8.5	<a href="#">FG21-04814-511</a>			3550	5700	

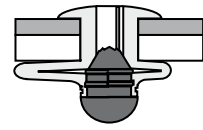
Devices and tools for setting an F-Grip rivet

Diameter	Tool *	Jaw pusher	Nosepiece	Jaw
3.2	ProSet® 2500	Standard	PRN 4 HR (19422)	Standard
4.0	ProSet® 2500	Standard	PRN 5 HR (19423)	Standard
4.8	ProSet® 2500	Standard	PRN 6 HR (19424)	Standard

\* Tools on page 56 – 66

# Load-spreading rivets

Domed head




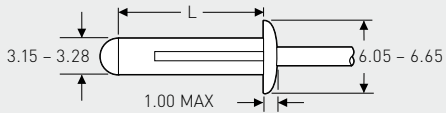
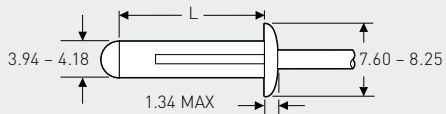
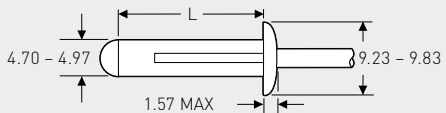


## Material

Body: Aluminum, 3.5% magnesium

Mandrel: Aluminum

3-D Data: <http://kvt.partcommunity.com>

Rivet-Ø	Length nominal	Grip range	Order description	Hole size Ø				
3.2	17.1	- 6.35	ACD 408 ASM	3.4 - 3.5		500	400	1.83
	21.3	- 9.5	ACD 412 ASM			900	700	2.29
4.0	17.5	- 6.35	ACD 508 ASM	4.2 - 4.3		1400	1000	2.64
	21.3	3.0 - 9.5	ACD 512 ASM			900	700	2.29
	25.0	5.0 - 12.0	ACD 516 ASM			1400	1000	2.64
4.8	17.5	- 6.35	ACD 608 ASM	5.0 - 5.2		1400	1000	2.64
	19.8	3.0 - 9.5	ACD 612 ASM			1400	1000	2.64
	23.5	5.0 - 12.0	ACD 616 ASM			1400	1000	2.64

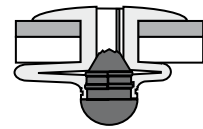
# Load-spreading rivets

Large flange




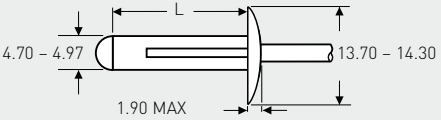
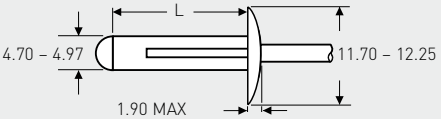
**Material**

Body: Aluminum, 3.5% magnesium

Mandrel: Aluminum



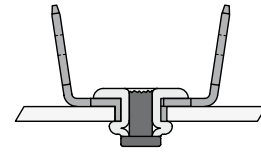
3-D Data: <http://kvt.partcommunity.com>

Rivet-Ø	Length nominal	Grip range	Order description	Hole size Ø				
						N	N	
4.8	17.5	- 6.35	<a href="#">ACD 608 ASMLF14</a>	5.0 - 5.2		1400	1000	2.64
	19.8	3.0 - 9.5	<a href="#">ACD 612 ASMLF14</a>					
	23.5	5.0 - 12.0	<a href="#">ACD 616 ASMLF14</a>					
4.8	17.5	- 6.35	<a href="#">ACD 608 ASMLF12</a>	5.0 - 5.2		1400	1000	2.64
	19.8	3.0 - 9.5	<a href="#">ACD 612 ASMLF12</a>					
	23.5	5.0 - 12.0	<a href="#">ACD 616 ASMLF12</a>					

# Terminal-tag rivets

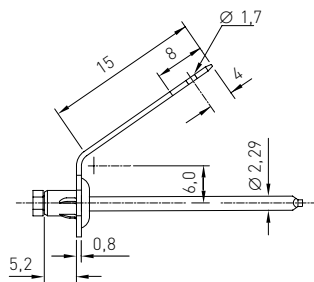
## Material

Body: Copper  
Mandrel: Steel, copper-plated  
Tag: Brass

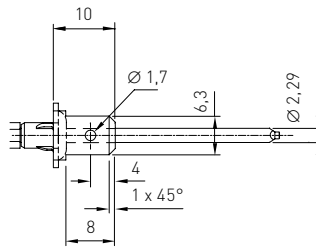


## Detailed drawings

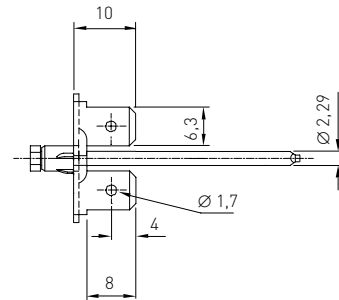
Order description: PMC 46/01






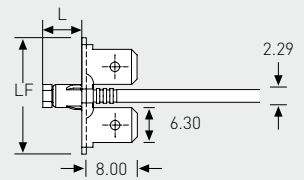
Order description: PMC 2/6.3



Order description: PMC 4/6.3



3-D Data: <http://kvt.partcommunity.com>

Rivet-Ø	Length nominal	Grip range	Tag length LF	Order description	Tag quantity	Hole size Ø				
4.0	5.3	-2.0	10.5	PMC 46/01	1	5.15				
	5.3	-2.0	21.0	PMC 2/6.3	2			1910	1330	2.30
	5.3	-2.0	42.0	PMC 4/6.3	4					

# MGR multigrip rivets

Domed head

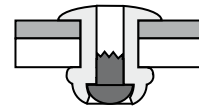


## Material

Body: Aluminum, 2.5% magnesium

Mandrel: Steel, galvanized **or** stainless steel

Rivets with countersunk on request



3-D Data: <http://kvt.partcommunity.com>

Rivet-Ø	Length nominal	Grip range	Order description		Hole size Ø	Technical drawing	N	N	N
			Steel	Stainless steel					
3.2	8.0	- 4.8	EBD 406 BS	EBD 406 SS	3.3		930	690	1.83
	11.5	4.8 - 7.9	EBD 410 BS	EBD 410 SS					
4.0	10.5	- 6.4	EBD 508 BS	EBD 508 SS	4.1		1570	1000	2.29
	14.0	3.0 - 9.5	EBD 512 BS	EBD 512 SS					
4.8	11.0	- 6.4	EBD 608 BS	EBD 608 SS	4.9		2250	1570	2.64
	16.5	6.4 - 11.1	EBD 614 BS	EBD 614 SS					
6.4	11.0	2.0 - 4.8	TAVD 806 BS	TAVD 806 SS	6.5		4000	2800	3.70
	16.4	3.5 - 8.5	TAVD 812 BS	TAVD 812 SS					

# MGR multigrip rivets

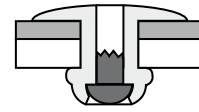
## Large flange

### Material




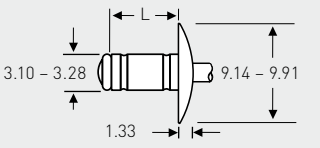
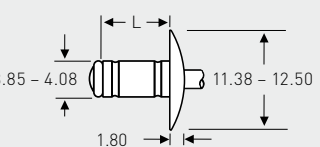
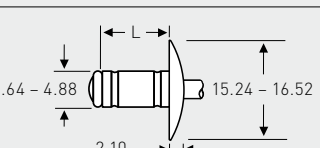
Body: Aluminum, 2.5% magnesium

Mandrel: Steel

Availability on request

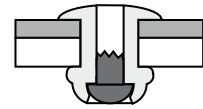


3-D Data: <http://kvt.partcommunity.com>

Rivet-Ø	Length nominal	Grip range	Order description	Hole size Ø				
						N	N	
3.2	8.0	1.0 – 4.8	AD 41-43 BSLF	3.3		980	680	1.93
	11.5	4.0 – 7.9	AD 43-45 BSLF					
4.0	10.2	1.2 – 6.4	AD 52-54 BSLF	4.1		1600	1100	2.41
	12.3	3.2 – 7.9	AD 53-55 BSLF					
4.8	10.8	1.6 – 6.4	AD 62-64 BSLF	4.9		2240	1550	2.90
	18.2	6.4 – 12.7	AD 66-68 BSLF					
	26.7	11.1 – 19.1	AD 68-612 BSLF					

# MGR multigrip rivets

Domed head






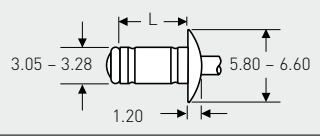
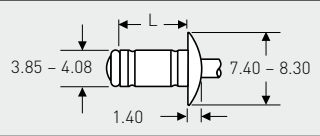
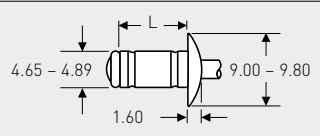
## Material

Body: Steel galvanized

Mandrel: Steel galvanized

Availability on request

3-D Data: <http://kvt.partcommunity.com>

Rivet-Ø	Length nominal	Grip range	Order description	Hole size Ø				
						N	N	
3.2	8.5	1.5 - 5.0	<a href="#">MG 21-03208-510</a>	3.3		1600	1200	1.93
	12.5	4.0 - 8.0	<a href="#">MG 21-03212-510</a>					
4.0	10.5	1.5 - 6.0	<a href="#">MG 21-04010-510</a>	4.1		2400	1650	2.29
	16.5	4.0 - 12.0	<a href="#">MG 21-04016-510</a>					
4.8	10.5	1.5 - 6.0	<a href="#">MG 21-04810-510</a>	4.9		3200	2700	2.90
	16.5	4.0 - 11.0	<a href="#">MG 21-04816-510</a>					



# MGR multigrip rivets

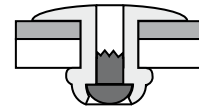
Large flange

## Material




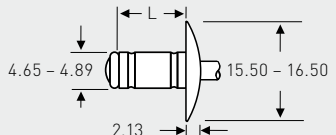
Body: Steel galvanized

Mandrel: Steel

Availability on request



3-D Data: <http://kvt.partcommunity.com>

Rivet-Ø	Length nominal	Grip range	Order description	Hole size Ø		 N	 N	 N
4.8	10.5	1.5 - 6.0	MG 22-04810-210	4.9		3200	2700	2.90
	16.5	4.0 - 11.0	MG 22-04816-210					

# Grooved blind rivets

Domed head

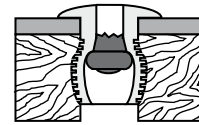


## Material


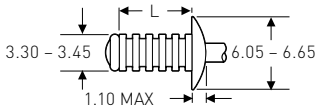
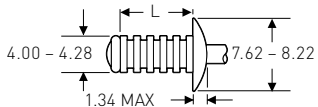
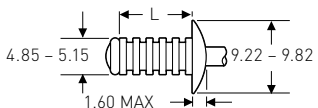
Body: Aluminum, 3.5% magnesium

Mandrel: Steel galvanized

Availability on request



3-D Data: <http://kvt.partcommunity.com>

Rivet-Ø	Length nominal	Order description	Hole size Ø		
3.3	9.7	TASD 48 BS	3.5		1.83
4.1	8.5	TASD 56 BS	4.3		2.29
	12.1	TASD 510 BS			
5.0	7.9	TASD 64 BS	5.2		2.64
	11.3	TASD 68 BS			
	13.4	TASD 610 BS			
	15.0	TASD 612 BS			
	26.0	TASD 625 BS			

# Peel rivets

Domed head




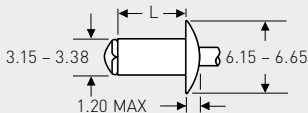
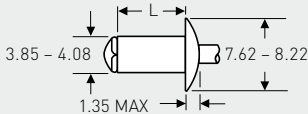
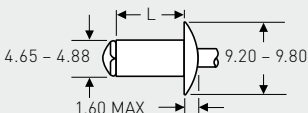


## Material

Body: Aluminum, 3.5% magnesium

Mandrel: Steel galvanized

3-D Data: <http://kvt.partcommunity.com>

Rivet-Ø	Length nominal	Grip range	Order description	Hole size Ø				
						N	N	
3.2	10.0	1.5 – 6.0	<a href="#">TAPD 408 S0</a>	3.6		800	800	1.83
	13.5	5.0 – 9.0	<a href="#">TAPD 412 S0</a>					
	18.7	8.0 – 14.0	<a href="#">TAPD 418 S0</a>					
4.0	10.5	1.5 – 6.0	<a href="#">TAPD 508 S0</a>	4.4		1000	1000	2.45
	14.0	5.0 – 9.0	<a href="#">TAPD 512 S0</a>					
	19.5	8.0 – 14.0	<a href="#">TAPD 518 S0</a>					
4.8	11.1	1.5 – 6.0	<a href="#">TAPD 608 S0</a>	5.2		2000	2000	2.64
	14.7	5.0 – 9.0	<a href="#">TAPD 612 S0</a>					
	19.0	8.0 – 14.0	<a href="#">TAPD 617 S0</a>					
	25.5	14.0 – 20.0	<a href="#">TAPD 625 S0</a>					

# Peel rivets

## Large flange




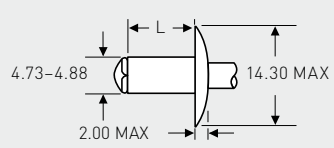
### Material

Body: Aluminum, 3.5% magnesium

Mandrel: Steel galvanized



3-D Data: <http://kvt.partcommunity.com>

Rivet-Ø	Length nominal	Grip range	Order description	Hole size Ø				
4.8	11.1	1.5 – 6.0	<a href="#">TAPD 608 SOLF14</a>	5.2		2000	2000	2.64
	14.7	5.0 – 9.0	<a href="#">TAPD 612 SOLF14</a>					
	19.0	8.0 – 14.0	<a href="#">TAPD 617 SOLF14</a>					
	25.5	14.0 – 20.0	<a href="#">TAPD 625 SOLF14</a>					

# Flush-setting rivets

Countersunk 120°



## Pull-through rivet which sets flush on both sides\*

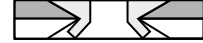
- Flush on both sides after counter of the material
- The mandrel is pulled through after setting and drops down

### Material

Body: Steel galvanized



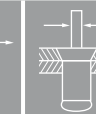
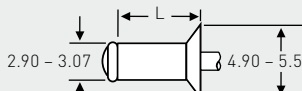
Mandrel: Steel galvanized

Other lengths on request



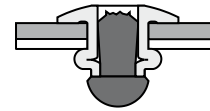
\* Max. 0.4 mm overlap on the blind side is allowed!

3-D Data: <http://kvt.partcommunity.com>

Rivet-Ø	Length nominal	Grip range	Order description	Hole size Ø		 N	 N	 N
3.0	2.8	2.0 – 2.5	<a href="#">SKK 3030 PT</a>	3.3		700	800	1.90
	3.3	2.5 – 3.0	<a href="#">SKK 3035 PT</a>					
	3.8	3.0 – 3.5	<a href="#">SKK 3040 PT</a>					

# High-retention rivets

Domed head



- Extraordinary clamping force
- Large secondary expansion
- Mandrel retention




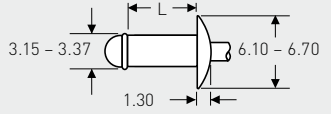
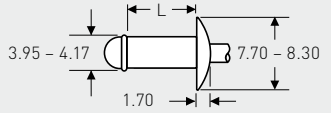
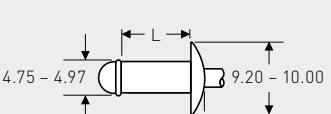
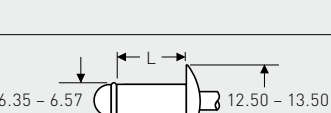
## Material

Body: Steel galvanized

Mandrel: Steel galvanized

Availability on request

3-D Data: <http://kvt.partcommunity.com>

Rivet-Ø	Length nominal	Grip range	Order description	Hole size Ø				
3.2	8.0	1.6 - 3.2	SD 42 HR	3.4		1700	1450	2.20
	9.6	3.2 - 4.8	SD 43 HR					
	11.2	4.8 - 6.4	SD 44 HR					
4.0	9.0	1.6 - 3.2	SD 52 HR	4.2		2600	2000	2.80
	10.6	3.2 - 4.8	SD 53 HR					
	12.2	4.8 - 6.4	SD 54 HR					
4.8	9.2	1.6 - 3.2	SD 62 HR	5.0		3400	3100	3.40
	10.8	3.2 - 4.8	SD 63 HR					
	12.4	4.8 - 6.4	SD 64 HR					
	14.0	6.4 - 8.0	SD 65 HR					
6.4	11.3	1.2 - 4.8	SD 83 HR	6.6		5350	3900	4.60
	14.5	4.8 - 8.0	SD 85 HR					

# High-retention rivets

## Large flange

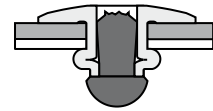
- Extraordinary clamping force
- Large secondary expansion
- Mandrel retention

### Material




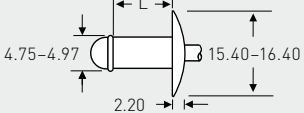
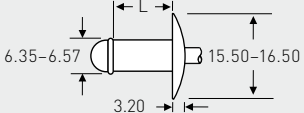
Body: Steel galvanized

Mandrel: Steel galvanized

Availability on request



3-D Data: <http://kvt.partcommunity.com>

Rivet-Ø	Length nominal	Grip range	Order description	Hole size Ø				
4.8	9.2	1.6 – 3.2	SD 62 HRLF	5.0		3400	3100	3.40
	10.8	3.2 – 4.8	SD 63 HRLF					
	12.4	4.8 – 6.4	SD 64 HRLF					
	14.0	6.4 – 8.0	SD 65 HRLF					
6.4	11.3	1.2 – 4.8	SD 83 HRLF	6.6		5350	3900	4.60
	19.2	4.8 – 8.0	SD 85 HRLF					

# High-retention rivets

Domed head

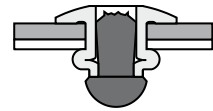
- Extraordinary clamping force
- Large secondary expansion
- Mandrel retention

## Material




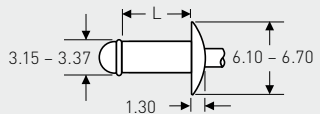
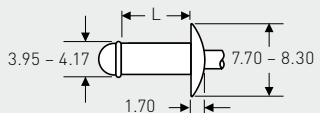
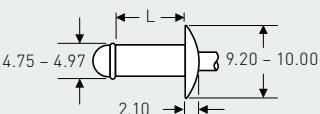
Body: Stainless steel

Mandrel: Stainless steel

Availability on request



3-D Data: <http://kvt.partcommunity.com>

Rivet-Ø	Length nominal	Grip range	Order description	Hole size Ø				
						N	N	
3.2	8.0	1.3 – 3.2	SSD 42 SSHR	3.4		2500	1900	2.20
	9.6	3.2 – 4.8	SSD 43 SSHR					
	11.3	4.8 – 6.4	SSD 44 SSHR					
4.0	9.0	1.6 – 3.2	SSD 52 SSHR	4.2		3800	2800	2.80
	10.6	3.2 – 4.8	SSD 53 SSHR					
	12.2	4.8 – 6.4	SSD 54 SSHR					
4.8	9.2	1.3 – 3.2	SSD 62 SSHR	5.0		5000	4700	3.40
	10.8	3.2 – 4.8	SSD 63 SSHR					
	12.4	4.8 – 6.4	SSD 64 SSHR					



# High-retention rivets

Countersunk 120°

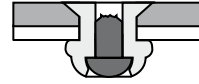
- Extraordinary clamping force
- Large secondary expansion
- Mandrel retention

## Material



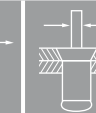
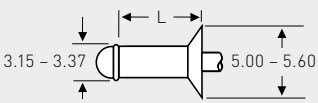
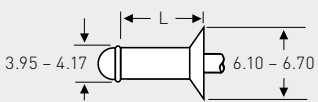
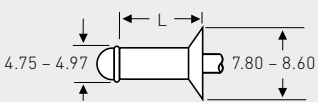
Body: Stainless steel

Mandrel: Stainless steel

Availability on request

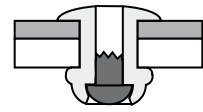


3-D Data: <http://kvt.partcommunity.com>

Rivet-Ø	Length nominal	Grip range	Order description	Hole size Ø				
						N	N	
3.2	8.0	2.0 – 3.2	SSK 42 SSHR	3.4		2000	1400	2.10
	9.6	3.2 – 4.8	SSK 43 SSHR					
	11.2	4.8 – 6.4	SSK 44 SSHR					
4.0	9.0	2.0 – 3.2	SSK 52 SSHR	4.2		3000	2100	2.80
	10.6	3.2 – 4.8	SSK 53 SSHR					
	12.2	4.8 – 6.4	SSK 54 SSHR					
4.8	10.8	2.4 – 4.8	SSK 63 SSHR	5.0		5000	3700	3.40
	12.4	4.8 – 6.8	SSK 64 SSHR					

# Vgrip™-rivets

Domed head






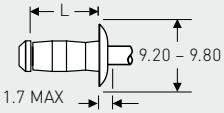
- Large grip range – a single rivet for many connections
- Strong clamping forces
- High pull out performance through discoid secondary expansion
- Rattle resistance because of the positively retained stem
- High durability of the rivet tools because of the grooved mandrel
- Reliable, repeatable rivet function

## Material

Body: Aluminum

Mandrel: Steel

3-D Data: <http://kvt.partcommunity.com>

Rivet-Ø	Length nominal	Grip range	Order description	Hole size Ø				
4.8	10.8	1.5 – 6.0	<a href="#">VG 11-04810-511</a>	4.9 – 5.0		1900	1200	3.12
	16.5	6.0 – 10.0	<a href="#">VG 11-04816-511</a>					

# Vgrip™-rivets

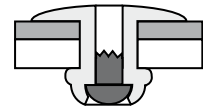
## Large flange

- Large grip range – a single rivet for many connections
- Strong clamping forces
- High pull out performance through discoid secondary expansion
- Rattle resistance because of the positively retained stem
- High durability of the rivet tools because of the grooved mandrel
- Reliable, repeatable rivet function




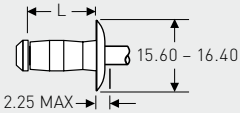
### Material

Body: Aluminum

Mandrel: Steel

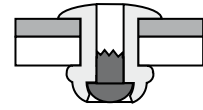


3-D Data: <http://kvt.partcommunity.com>

Rivet-Ø	Length nominal	Grip range	Order description	Hole size Ø				
4.8	10.8	1.5 – 6.0	<a href="#">VG 12-04810-511</a>	4.9 – 5.0		1900	1200	3.12
	16.5	6.0 – 10.0	<a href="#">VG 12-04816-511</a>					

# Vgrip™-rivets

Domed head






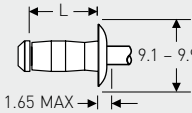
- Large grip range – a single rivet for many connections
- Strong clamping forces
- High pull out performance through discoid secondary expansion
- Rattle resistance because of the positively retained stem
- High durability of the rivet tools because of the grooved mandrel
- Reliable, repeatable rivet function

## Material

Body: Steel galvanized

Mandrel: Steel galvanized

3-D Data: <http://kvt.partcommunity.com>

Rivet-Ø	Length nominal	Grip range	Order description	Hole size Ø				
4.8	10.6	1.5 – 6.0	<a href="#">VG 21-04810-511</a>	4.9 – 5.2		3400	2500	3.12
	16.2	6.0 – 10.0	<a href="#">VG 21-04816-511</a>					

# Vgrip™-rivets

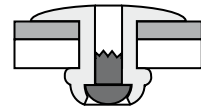
## Large flange

- Large grip range – a single rivet for many connections
- Strong clamping forces
- High pull out performance through discoid secondary expansion
- Rattle resistance because of the positively retained stem
- High durability of the rivet tools because of the grooved mandrel
- Reliable, repeatable rivet function




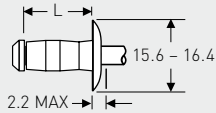
### Material

Body: Steel galvanized

Mandrel: Steel galvanized



3-D Data: <http://kvt.partcommunity.com>

Rivet-Ø	Length nominal	Grip range	Order description	Hole size Ø				
						N	N	
4.8	10.6	1.5 – 6.0	<a href="#">VG 22-04810-511</a>	4.9 – 5.2		3400	2500	3.12
	16.2	6.0 – 10.0	<a href="#">VG 22-04816-511</a>					

# High-strength rivets

Domed head

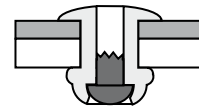
- High shear and tensile strength
- Large secondary expansion
- Positively retained stem

## Material




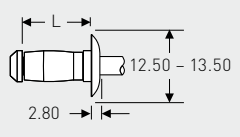
Body: Steel

Mandrel: Steel

Availability on request



3-D Data: <http://kvt.partcommunity.com>

Rivet-Ø	Length nominal	Grip range	Order description	Hole size Ø		 N	 N	
6.4	11.4	2.4 - 4.8	SD 848 HS	6.6		9000	12000	4.00
	12.0	3.4 - 5.4	SD 854 HS					
	13.4	4.8 - 6.8	SD 868 HS					
	15.4	6.8 - 8.8	SD 888 HS					

# High-strength rivets

Domed head

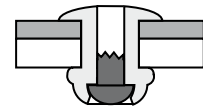
- High shear and tensile strength
- Large secondary expansion
- Positively retained stem

## Material




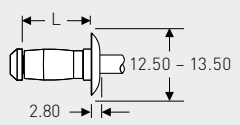
Body: Aluminum, 2.5% magnesium

Mandrel: Aluminum

Availability on request



3-D Data: <http://kvt.partcommunity.com>

Rivet-Ø	Length nominal	Grip range	Order description	Hole size Ø		 N	 N	
6.4	12.0	3.4 – 5.4	AD 854 AHS	6.6		3500	4100	4.00

# Tools

ProSet® 1600 | ProSet® 2500 | ProSet® 3400 | MCS 5250



See picture from left to right:  
ProSet® 1600 MCS<sup>II</sup> | ProSet® 2500 MCS<sup>II</sup> | ProSet® 3400 MCS\*



For riveting in vertical plane inclusive mandrel collector MCS 5250

## Special tool equipment

Extensions, corner heads etc.



\*The description "MCS" means "mandrel collecting system for all tools"




# Tools

## Select nose pieces and jaws

Tool	Rivet-Ø	Rivet-material	Rivet-type	Nosepiece	Jaw
<b>ProSet® 1600</b> <b>ProSet® 2500</b> <b>ProSet® 3400</b> <b>MCS 5250</b>	2.0	Al/St	open	PRN 214	PRG 402-8A (only for 1600 series) PRG 540-3tlg. (only for 2500 series)  PRG 540-46 for Al, St  PRG 540-46 SS for A2, NiCu  PRG 540-44
	2.4	Al/St	open	PRN 314	
	3.0/3.2	all	open	PRN 414	
	3.0/3.2	Al/Al	closed	PRN 434	
	3.0/3.2	St/St, NiCu, SS, Al/St	closed	PRN 424	
	4.0	all	open	PRN 514	
	4.0	Al/Al	closed	PRN 534	
	4.0	St/St, NiCu, SS, Al/St	closed	PRN 524	
	4.8/5.0	all	open	PRN 614	
	4.8/5.0	Al/Al	closed	PRN 634	
	4.8/5.0	St/St, NiCu, SS, Al/St	closed	PRN 624	
	6.0/6.4	all	open	PRN 811	
			closed	PRN 822	
<b>MCS 5800</b>	2.4	all	all	5800-15	5800-11
	3.0/3.2			5800-14	
	4.0			5800-17	
	4.8/5.0			5800-18	

Al: Aluminum, St: Steel, SS: Stainless steel, NiCu: Nickel-copper-alloy

Working area of the pneumatic-tools (max. pressure 5.8 bar)										Weight
Rivet-Ø								Ø D	L	
2.0	2.4	3.0	3.2	4.0	4.8	5.0	6.4			
<sup>1)</sup>		ProSet® 1600			<sup>2)</sup>			17.3	40.0	1.04 kg
		ProSet® 2500						20.6	46.0	1.31 kg
		MCS 5250						22.4	89.0	1.80 kg
		ProSet® 3400						22.4	57.9	2.00 kg
		MCS 5800						25.0	58.5	1.80 kg

<sup>1)</sup> equipment for rivet with Ø 2.0 mm optional

<sup>2)</sup> Ø 4.0 mm only for aluminum rivet

# Tools

## rivet power tool ProSet® 1600

Lightweight and compact – but high performance

### Ergonomical

- Lightweight polymer construction
- Comfortable two finger activation
- Variable air connector and air exhaust

### Specific feature

- Optimal high force-to-weight ratio
- Quick disconnect front end assembly
- Quick disconnect jaw housing
- Quick disconnect mandrel collector

### Economics

- Fast service without aids
- Power saving

### Additional equipment

- For rivets with Ø 2.0 mm
- 12.7 cm front-end-kit for special reach
- Compatible with POP® rivet presenter

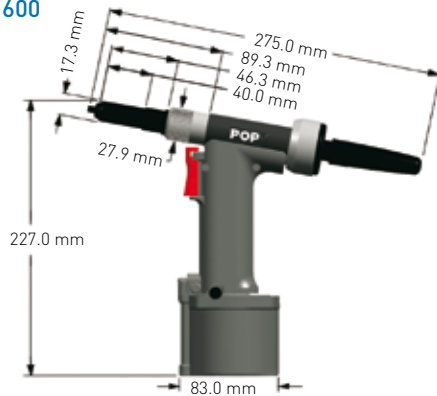
### Safety

Automatically shut-off when the mandrel collector is removed

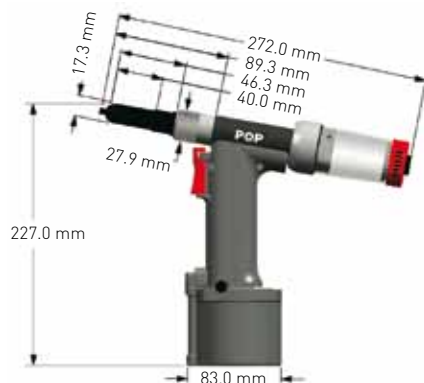


Technical details	Proset® 1600	Proset® 1600 MCS
<b>Weight</b>	0.97 kg	1.04 kg
<b>Length</b>	275 mm	272 mm
<b>Height</b>	227 mm	227 mm
<b>Tool stroke</b>	18 mm	18 mm
<b>Air pressure</b>	5.0 – 6.9 bar	5.0 – 6.9 bar
<b>Pulling force</b>	4850 N with 6.2 bar	4850 N with 6.2 bar
<b>Force/weight ratio</b>	5 kN/kg	4.6 kN/kg
<b>Air consumption</b>	1.22 litres/rivet	70 litres/min (max)

### ProSet® 1600



### ProSet® 1600 MCS



Rivet capacity	Material (Rivet-body-mandrel)	Rivet-Ø		
		2.4 <sup>1)</sup>	3.0-3.2	4.0 <sup>2)</sup>
<b>Rivet type</b>				
	Al – Al	•	•	•
<b>Standard rivet &amp; Multi-grip-rivet</b>	Al – St, Cu – St	•	•	• <sup>3)</sup>
	St – St/SS	•	•	•
	SS – SS, NiCu – St/SS	•	•	
<b>Closed end rivet</b>	Al – Al	•	•	•
	Al – St/Cu – St	•	•	• <sup>4)</sup>
	St – St/SS	•	•	
	SS – SS	•	•	
<b>LSR-Rivet</b>	Al – Al	•	•	•
<b>HR-Rivet</b>	St – St	•	•	
<b>MCS collecting capacity (Rivet)</b>		300	120	90

Al: Aluminum, St: Steel, SS: Stainless steel, Cu: Copper, NiCu: Nickel-copper-alloy

<sup>1)</sup> Optional equipment FAN239-013 required <sup>2)</sup> Stainless steel <sup>3)</sup> Excluded multi-grip-rivet  
<sup>4)</sup> Setting air pressure to 90psi (6.2bar)

# Tools

## Rivet power tool ProSet® 2500

The new standard for pneumatic rivet tools

### Ergonomical

- Lightweight polymer construction
- Comfortable two finger activation
- Variable air connector and air exhaust

### Specific feature

- Optimal high force-to-weight ratio
- Quick disconnect front end assembly
- Quick disconnect jaw housing
- Quick disconnect mandrel collector

### Economics

- Spring return for reliable, fast setting cycle
- Fast service without aids
- Power saving

### Additional equipment

- Also for rivets with Ø 2.4 mm
- 140 mm front-end-kit for special reach
- Compatible with POP® rivet presenter and POP SmartSet

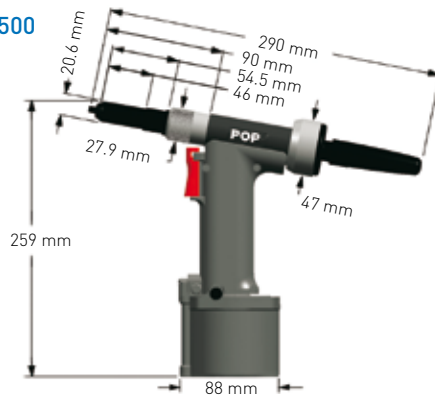
### Safety

Automatically shut-off when the mandrel collector is removed

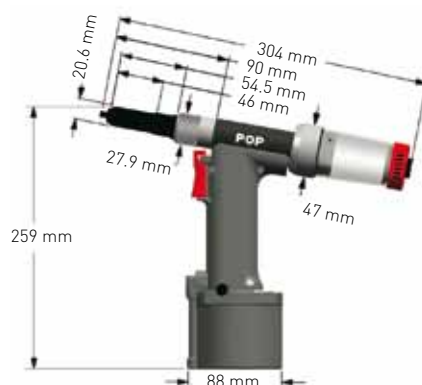


Technical details	Proset® 2500	Proset® 2500 MCS
<b>Weight</b>	1.20 kg	1.31 kg
<b>Length</b>	290 mm	304 mm
<b>Height</b>	259 mm	259 mm
<b>Tool stroke</b>	18 mm	18 mm
<b>Pulling force</b>	9400 N with 6.2 bar	9400 N with 6.2 bar
<b>Force/weight ratio</b>	7.83 kN/kg	7.18 kN/kg
<b>Air consumption</b>	2.15 litres/rivet	70 litres/min (max)

### ProSet® 2500



### ProSet® 2500 MCS



Rivet capacity	Material [Rivet-body-mandrel]	Rivet-Ø		
		3.0 – 3.2	4.0 <sup>1)</sup>	4.8 <sup>2)</sup>
<b>Rivet type</b>				
<b>Standard rivet &amp; Multi-grip-rivet</b>	Al – Al	•	•	•
	Al – St/SS	•	•	•
	St – St	•	•	•
	SS – SS	•	•	• <sup>3)</sup>
	NiCu – St/SS	•	•	• <sup>3)</sup>
<b>Closed end rivet</b>	Al – Al	•	•	•
	Al – St/SS	•	•	•
	Cu – St	•	•	•
	St – St	•	•	•
<b>LSR-Rivet</b>	SS – SS	•	•	•
	Al – Al	•	•	•
	St – St	•	•	•
<b>HR-Rivet</b>	Al – Al	•	•	•
	St – St	•	•	•
<b>F-Rivet &amp; Vgrip™-Rivet</b>	SS – SS	•	•	•
	Al – St	•	•	•
<b>Peel-Rivet</b>	Al – Al			•
	St – St			•
	SS – SS			•

Al: Aluminum, St: Steel, SS: Stainless steel,  
Cu: Copper, NiCu: Nickel-copper-alloy

<sup>1)</sup> For using with FAN275-028 jaw pusher <sup>2)</sup> For using with FAN275-027 jaw pusher <sup>3)</sup> Excluded multi-grip-rivet

# Tools

## Rivet power tool ProSet® 3400

The lightweight for maximum performance

### Ergonomical

- Lightweight polymer construction
- Comfortable two finger activation
- Variable air connector and air exhaust

### Specific feature

- High force-to-weight ratio
- Quick disconnect front end assembly
- Quick disconnect jaw housing
- Quick disconnect mandrel collector

### Economics

- Spring return for reliable, fast setting cycle
- Fast service without aids
- Power saving

### Additional equipment

- Compatible with POP® rivet presenter
- POP® special heads
- 200 mm long front to end for special reach

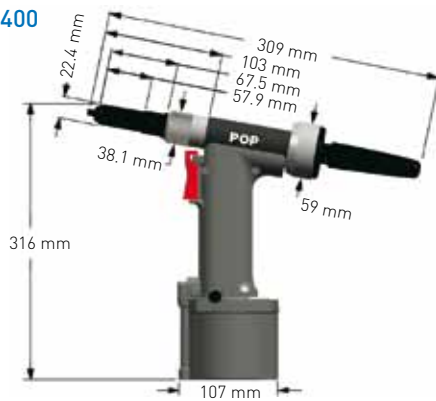
### Safety

Automatically shut-off when the mandrel collector is removed

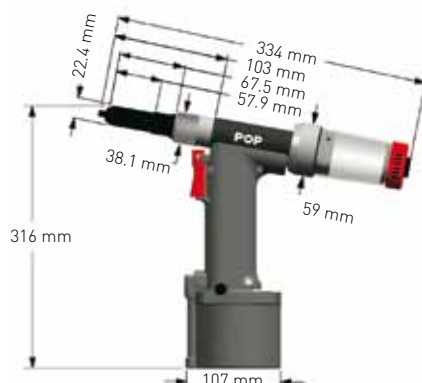


Technical details	Proset® 3400	Proset® 3400 MCS
Weight	1.90 kg	2.00 kg
Length	309 mm	334 mm
Height	316 mm	316 mm
Tool stroke	26 mm	26 mm
Pulling force	18.500 N with 6.2 bar	18.500 N with 6.2 bar
Force/weight ratio	9.7 kN/kg	9.7 kN/kg
Air consumption	4.86 litres/rivet	80 litres/min (max)

### ProSet® 3400



### ProSet® 3400 MCS



Rivet capacity	Material (Rivet-body-mandrel)	Rivet-Ø			
		3.2 <sup>1)</sup>	4.0 <sup>1)</sup>	4.8 <sup>2)</sup>	6.4 <sup>3)</sup>
Niettyp					
Stand- ard rivet & Multi-grip-rivet	Al – Al	•	•	•	•
	Al – St/SS	•	•	•	•
	St – St	•	•	•	•
	SS – SS	•	•	•	•
	NiCu – St/SS	•	•	•	•
Closed end rivet	Al – Al	•	•	•	•
	Al – St/SS	•	•	•	•
	Cu – St	•	•	•	•
	St – St	•	•	•	•
SS – SS	•	•	•	•	
LSR-Rivet	Al – Al	•	•	• <sup>3)</sup>	
HR-Rivet	St – St	•	•	• <sup>3)</sup>	
F-Rivet & Vgrip™-Rivet	Al – Al				•
	St – St				•
	SS – SS			• <sup>3)</sup>	
Peel-Rivet	Al – St	•	•	• <sup>3)</sup>	•
	Al – Al			• <sup>3)</sup>	•
Huck® Magna-Lok® & HS-Rivet	St – St			• <sup>3)</sup>	•
	SS – SS			• <sup>3)</sup>	•
				• <sup>3)</sup>	•

Al: Aluminum, St: Steel, SS: Stainless steel,  
Cu: Copper, NiCu: Nickel-copper-alloy

<sup>1)</sup> For using with jaws PRG540-46 and jaw pusher FAN276-064 <sup>2)</sup> For using with jaws PRG540-46 and jaw pusher DPN276-006

<sup>3)</sup> For using with jaws PRG540-44 and jaw pusher DPN276-006

# Tools

For Proset®

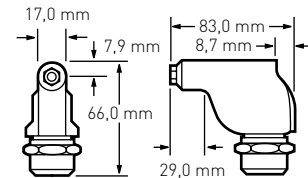
## Front End kits

For applications where access is restricted a series with special front ends are available!

### PRH830 corner head

Compact 90° corner head

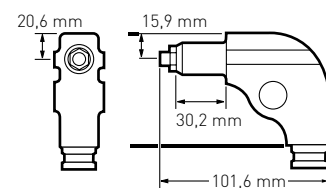
- For applications where access is restricted
- Is setting rivets to  $\varnothing$  3.2 mm in all materials
- Weight 0.31 kg



### PRH840 corner head

Robust 90° corner head

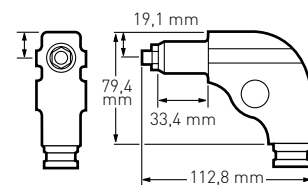
- Is setting rivets to  $\varnothing$  4.8 mm in all materials
- Weight 0.50 kg



### PRH850 heavy corner head

90° corner head

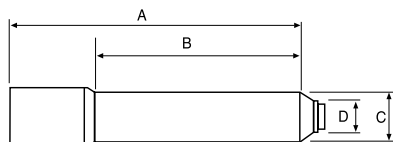
- Applicable for high volumes
- Is setting rivets to  $\varnothing$  6.4 mm in aluminum
- Weight 0.76 kg



Adapter to the setting tools on request!

## Front-End-KITS

Different extended and reduced sets are available.



Setting tool	Order description	Type	A	B	C	D
ProSet® 1600	<a href="#">FAN 239-174</a>	extended	140	96	17.4	11
ProSet® 2500	<a href="#">FAN 275-132</a>	extended	140	100	20.5	11
	<a href="#">FAN 275-198</a>	reduced	140	100	17.4	11
ProSet® 3400	<a href="#">FAN 276-075</a>	extended	200	155	22.4	11

# Tools

**TT55**



**PS 45**

Total length: 490 mm



**PRG 540**



**PS 25**

Total length: min. 305 mm



**PS 15**

Transmission ratio 30:1



Working area for the hand-tools											Weight
Rivet-Ø									Ø D	L	
2.0	2.4	3.0	3.2	4.0	4.8	5.0	6.4				
				PS 15					20.0	26.0	0.6 kg
			TT 55						23.8	27.0	0.4 kg
				PS 45					30.0	71.4	2.6 kg
				PS 25					27.0	114.3	2.3 kg

Working area of the pneumatic-tool (max. pressure 5.8 bar)											Weight
Rivet-Ø									Ø D	L	
2.0	2.4	3.0	3.2	4.0	4.8	5.0	6.4				
				PRG 540					22.5/32.0	85.0	2.2 kg

# Tools

## RIVET-TOOL PB 2500

### Battery-power – wherever you are!

An Li-Ion battery, charger and a steel carry case are included in delivery. The tool-case provides space for a second optional battery.

### Technical details

- With one full battery you can set 600 – 2400 rivets
- For all rivets from 2.4 bis 4.8 mm
- One hour loading time
- Weight: 1.69 kg incl. Akku
- Tool stroke 25 mm
- Dimension: 320 x 240 mm (length x height)
- Traction power: 8500 N

More information on request.



# Tools

## Rivet presenter RP

### Single handed rivet feeding system

Used with a POP® rivet tool the presenter RP offers single-handed, high-speed rivet feeding and setting.

Every time the front end of the rivet tool is inserted into the receptacle at the front of the rivet presenter a rivet is automatically loaded into the front of the tool.

The rivets are stored in rotary feeder bowl and continuously fed down a track into the receptacle ready for the next cycle.



### Features & benefits

- Feeder bowl capacity up to 1.000 rivets
- Feeder bowl refilled in a few seconds
- Significant reductions in riveting cycle times possible
- Single-handed operation leaves one hand free for other operations
- No directly contact to the rivets (white goods)
- Possible for POP rivets with Ø 3.2–4.8 mm
- Dimensions: 336 x 546 x 222 mm (height x length x width)
- Weight: 10.4 kg
- Air pressure: 5.8 bar

More information on request.

Rivet-Ø	Order description	Rivet capacity of the bowl
3.2	<a href="#">RP4-E</a>	1000 Rivets
4.0	<a href="#">RP5-E</a>	600 Rivets
4.8	<a href="#">RP6-E</a>	400 Rivets



# Tools

---

## Multi-Head

### Multiple rivet setting system

Modular components are used in this multiple rivet setting system to make an complete workstation for individual customer needs.

A single pneumatic-hydraulic intensifier provides hydraulic power to multiple rivet-setting heads. The number of setting heads is fixed by you (maybe some more pneumatic-hydraulic intensifier are necessary).

The multiple rivet setting heads are mounted onto a plate or rail and can be configured in different positions to suit the location of rivets in a given application.

### Features & benefits

- Simultaneous rivet setting saves expensive working time
- Foot operated trigger fress up both hands for component assembly
- High reliability minimises downtime
- Individual for your application
- Integral bulk mandrel collection eliminates hazard of dropped mandrels

More information on request.



# Werkzeuge

## Point & Set

### The ultimate in portable auto-feed riveting

Automation components customized to the application!

Focus on the basics, with the Point & Set system it's easy for the worker. After the first setting the machine checks and manages everything else.

This ensures that the focus is on correct right setting of the rivets in the application. The Point & Set can also be integrated in an automatic system.

### Technical details

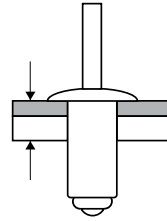
Rivet-Ø:	3.2 mm – 4.8 mm
Feeder capacity:	up to 2500 rivets
Mandrel capacity:	up to 8000 mandrels
Setting cyklus:	up to 35 rivets per minute
Umbilical:	2.4 m (3.6 m on request)
Electricity data:	220 V, 50 Hz
Air pressure:	5.8 bar
Air consumption:	340 l/min
Dimension:	728 x 432 x 767 mm (L x B x H)
Weight:	Console 61.2 kg, Tool 1.5 kg

More information on request.

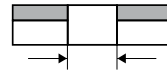


# Technical informations

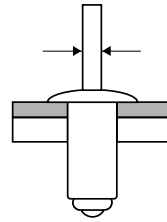
The suggested grip range, an optimal connection by the rivet is guaranteed. While setting you have to check that the components are seamless fitting on each other.



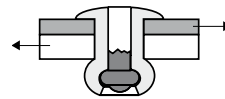
The information in the catalogue refer to the minimal hole- or stamp-diameter. The hole is tolerated with 0.1mm if you overrun the tolerance the strengths are decreasing.



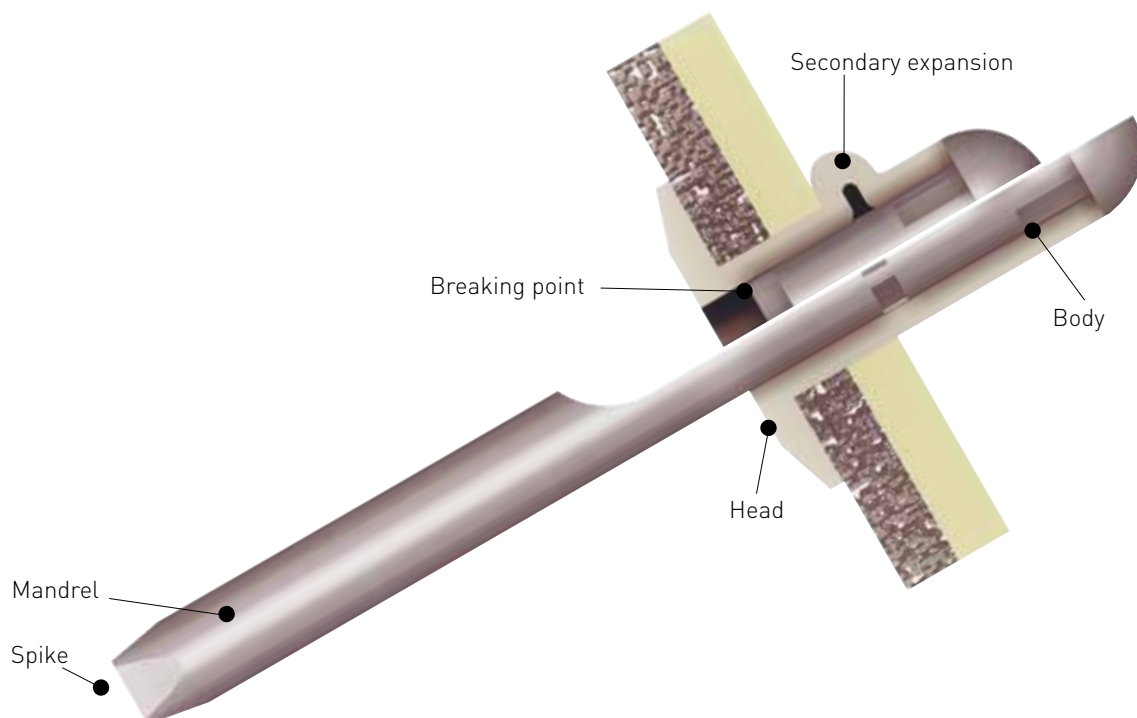
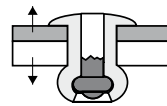
The diameter of the mandrel is the reference to choose the right nose piece for the corresponding rivet tool. Only working with the right tools guarantees a safety connection.



The information in the catalogue show the maximal acceptable data for shear performance of the rivet-connection. The data's are fixed in DIN 7337.



Maximal tensile performance of the connection while pushing the roll-axis.



# Technical informations

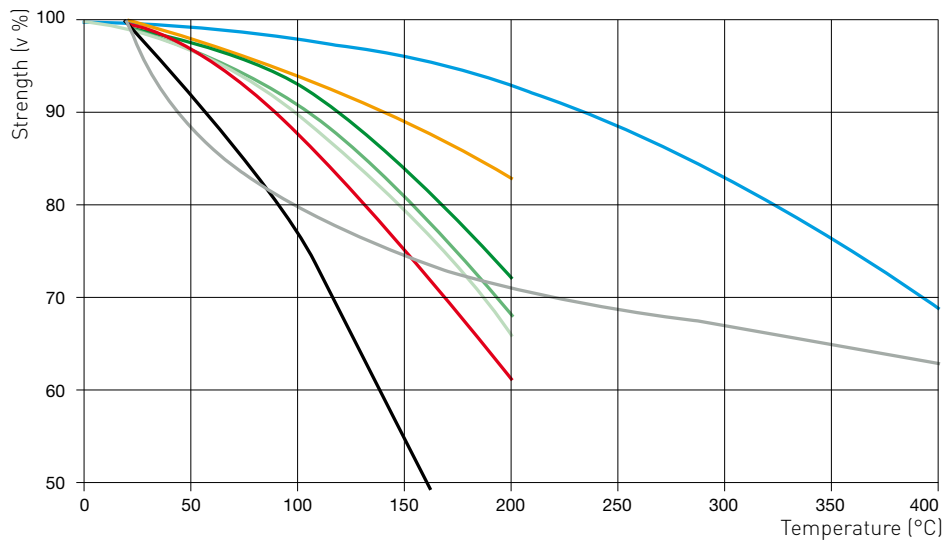
## Corrosion when in contact with various component materials

		Component material				
		Nickel-copper-alloy	Stainless steel	Copper	Steel/steel galvanized	Aluminum-alloy
Material	Nickel-copper-alloy	□	□	□	◻	■
	Stainless steel	□	□	◻	□	◻
	Copper	□	◻	□	■	■
	Steel/steel galvanized	◻	□	■	□	◻
	Aluminum-alloy	■	◻	■	◻	□

- not really corrosion
- ◻ small corrosion
- maybe extra rist of corrosion
- extra rist of corrosion

The corrosion depends on the environmental influence and the temperature.

## Influence of the temperature to the tensile of the connection



- Steel
- Nickel/Copper (63%/37%)
- Aluminum, 2.5% magnesium
- Aluminum, 3.5% magnesium
- Aluminum, 5.0% magnesium
- Stainless steel
- Copper
- Aluminum 99.5%

The influence of the temperature is not unimportant. Just at 200 °C the strength-data of aluminum- and copper-alloy decreases of about 30%.





# KVT-Fastening – Fastening technology



Blind rivet nuts



Blind rivet technology



Thread inserts



Self-clinching fasteners



Stud welding systems<sup>1)</sup>



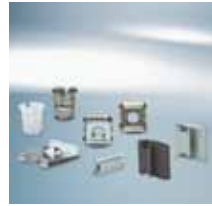
Lock nuts



Bonding fasteners



Access solutions



Quick fastening elements and clips



Quick release pins and spring plungers



Adhesives and sealants<sup>1)</sup>



Construction fasteners<sup>2)</sup>



Special processes<sup>2)</sup>



Plugs



Pressure intensifiers<sup>3)</sup>



Installation technology



Quick connectors<sup>4)</sup>

## Fastening, sealing and flow control solutions for complex applications

The extensive KVT-Fastening portfolio offers optimal solutions for your most challenging applications. The products included in this catalog represent only a selection from our entire product portfolio. Upon request, we will be pleased to provide additional information or an individual consultation to you.

## Intelligent logistic systems

Bossard SmartBin and SmartLabel are intelligent logistics systems which monitor stock with total reliability and ensure stock replenishment automatically. An online system transmits the data to our server, and this – if necessary – triggers an order. These systems ensure quick and easy availability of C-parts while production is running.



Logistic systems

## Competent analysis for efficient solutions

KVT-Fastening's highly qualified experts analyze the given task at hand. Based on this sound understanding of the project, they then develop ideal solutions that are economical, efficient, and safe.



Solutioneering

For more information about our range of products and order at our E-shop, please visit [www.kvt-fastening.com](http://www.kvt-fastening.com)

<sup>1)</sup> Not available in Germany. <sup>2)</sup> Only available in Switzerland. <sup>3)</sup> Not available in Switzerland. <sup>4)</sup> Not available in Austria.

---

**KVT-Fastening AG**

Dietikon/Zürich | Switzerland  
Tel: +41 44 743 33 33  
info-CH@kvt-fastening.com  
www.kvt-fastening.ch

**KVT-Fastening GmbH**

Illerrieden | Germany  
Tel: +49 7306 782-0  
info-DE@kvt-fastening.com  
www.kvt-fastening.de

**KVT-Fastening GmbH**

Linz/Pichling | Österreich  
Tel: +43 732 25 77 00  
info-AT@kvt-fastening.com  
www.kvt-fastening.at

**KVT-Fastening Sp. z o.o.**

Radom | Poland  
Tel: +48 58 762 17 80  
info-PL@kvt-fastening.com  
www.kvt-fastening.pl

**KVT-Fastening S.R.L.**

București | Romania  
Tel: +40 37 1381155  
info-RO@kvt-fastening.com  
www.kvt-fastening.ro

**KVT-Fastening spol. s.r.o.**

Bratislava | Slovakia  
Tel: +421 9 11102510  
info-SK@kvt-fastening.com  
www.kvt-fastening.sk

**KVT-Tehnika pritrjevanja d.o.o.**

Ljubljana | Slovenia  
Tel: +386 1 2808019  
info-SI@kvt-fastening.com  
www.kvt-fastening.si

**KVT-Fastening s.r.o.**

Brno | Czech Republic  
Tel: +420 547 125200201  
info-CZ@kvt-fastening.com  
www.kvt-fastening.cz

**KVT-Fastening Kft.**

Budapest | Hungary  
Tel: +36 1 769 0925  
info-HU@kvt-fastening.com  
www.kvt-fastening.hu



[www.kvt-fastening.com](http://www.kvt-fastening.com)

