

2017 – 2019

Zielfernrohrmontagen
Scope Mounts
Montages de lunettes de visée



Ernst Apel GmbH



Inhalt Index Table des matières

General	
The Best for You	3
Table of Complete Mounts and Single Parts, Rifle Numbers	10
What We Stand for	20

Pivot Mounts



EAW pivot mounts are available for all common bolt action rifles. Various adjustment possibilities guarantee a tension-free fit of the scope, which makes it possible to mount and dismount the scope – or a second scope – as often as you like without any change in zero. *The lock snaps in automatically.* The XS version is recommendable for big calibres when used with heavy scopes.

The EAW pivot mount with lever is optimal for break-open rifles and multiple-barrel guns. Due to its low height, it blends perfectly with the rifle. When the scope has been removed, it is possible to use the open sights without any problems. The locking lever is put down manually. Models suited for rifles with integrated rail, blind plates, and solid rail are available.

For an easier mounting, the new version is equipped with a steplessly adjustable lever.

General Information	22
Special Features of Pivot Mounts with Lever	23
Mounting Instructions for Pivot Mounts with Rings	24
Mounting Instructions for Pivot Mounts – for Scopes with Mounting Rail	29
EAW Building Block System	32
Which Pivot Mount Do I Need?	33
Complete Pivot Mounts	
Pivot Mounts for Bolt Action Rifles	34
Pivot Mounts with Lever	36
One-piece Pivot Mount, without Joint	38
One-piece Pivot Mount, with Joint	42

Single Parts	
Front Bases for Bolt Action Rifles	43
Front Bases for Break-open Rifles	47
Rear Bases and Plates for Bolt Action Rifles	48
Rear Plates of Pivot Mounts with Lever	52
Front Feet with Ring	53
Front Feet with Ring, without Joint	55
Front Feet for Scopes with Rail	56
Rear Feet with Ring	58
Rear Feet with Ring, with 20 MOA Inclination	59
Rear Feet for Scopes with Rail	60
Rear Foot Tops	62
Rear Foot Sub-bases	64

Slide-on and Roll-off Mounts



Appropriate for small calibre rifles and airguns, and also for all hunting rifles with integrated cylindrical or conical dovetail. In addition to that, there are models with dovetailed base plates to suit the most popular bolt action rifles. The scope may be easily taken off the scope and put on again. These inexpensive mounts are of course manufactured with the same precision as the top model, the pivot mount. Available as one-piece or two-piece mounts.

General Information and Table	66
Mounting Instructions for Mod. 365, 366 (Picatinny)	67
Mounting Instructions for 1-piece Slide-on and Roll-off Mounts	68
Mounting Instructions for 2-piece Slide-on and Roll-off Mounts	69
Complete Slide-on/Roll-off Mounts	
The Sportflex Mount	71
Roll-off Mounts with Rings, for 11 mm Dovetail	72
Roll-off Mounts for Scopes with Rail, for 11 mm Dovetail	73
Roll-off Mounts without Support	74

Slide-on Mounts for Small Calibre Rifles and Airguns, Stop Blocks	75
Roll-off Mounts for 19 mm Dovetail	76
One-piece Slide-on Mounts	77
Slide-on Mounts for Sako	79
Roll-off Mounts without Base Plates	80
Roll-off Mounts for Rifles with Picatinny Rail	84
Lateral Slide-on Mounts	87
Roll-off Mounts with Base Plates (16 mm Dovetail)	88
Mounts for Blaser (Complete)	101

Single Parts

Base Plates and Rails with 16 mm Dovetail, with Recoil Stop	90
Base Plates with 11 mm Dovetail, with Recoil Stop	92
Rails with 11 mm Dovetail, with Recoil Stop	93
Weaver Base Plates and Rails, Steel	94
Weaver Rails, Detachable	96
Weaver Blank Rails	96
Picatinny Rails, straight and with 20 MOA	97
Sub-bases of Roll-off Mounts	99
Form Rings and Tops for Scopes with Rail, Interchangeable	100
Mounts for Blaser (Single Parts)	103

Claw Mounts



This classical mount is often used by collectors of traditional guns. If fitted by an experienced gunsmith, it ensures a steady point of impact and very good repeatability of zero. The lock snaps in automatically. In most cases, it is not possible to use a secondary scope.

General Information	106
Conversion into an EAW Pivot Mount with Lever	106

Single Parts

Rib Inserts, Barrel Sockets, and Barrel Rings, to Solder on	108
Front Bases and Rear Bases	109
Front Feet with Ring	110
Front Feet for Scopes with Rail	111
Rear Feet with Ring, with Open Sight	112
Rear Feet for Scopes with Rail, with Open Sight	113
Rear Feet for Steyr Mannlicher Schönauer GK	114
Rear Foot Tops	62
Rear Foot Sub-bases	119
One-piece Claw Mounts (Single Parts)	39

Adapters for Red Dod Sights

for Docter-Sight, Aimpoint Micro, Zeiss Compact-Point **104**

Single Parts, Spare Parts, and Tools



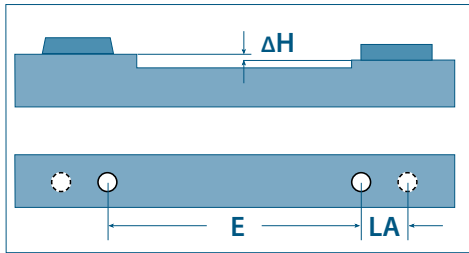
Stop Blocks	75
Spare Parts for Pivot Mounts (with Lever)	116
Spare Parts for Slide-on and Roll-off Mounts	118
Spare Parts for Claw Mounts	119
Screws	120
Tools	121
Abbreviations	123

Tabelle Komplettmontagen, waffenspezifische Einzelteile, Table of Complete Mounts and Single Parts, Rifle Numbers Tableau des montages complets et pièces détachées spécifiques,

Diese Tabelle gibt einen Überblick darüber, für welche Waffen EAW-Montagen oder spezielle Montageteile erhältlich sind. Die Waffenkennziffer WKZ steht jeweils für eine bestimmte Waffe bzw. maßgleiche Waffen und muss in die Bestellnr. von z.B. kompletten Schwenkmontagen eingesetzt werden. Sollten die von Ihnen gesuchte Waffen nicht gelistet sein, können Sie gerne bei uns nachfragen.

This table shows for which rifles EAW mounts or special mounting parts are available. The rifle numbers (WKZ) stand each one for a certain rifle or several rifles of an identical receiver construction. They need to be inserted into the part numbers of e. g. complete pivot mounts. If you cannot find in the table the rifle that you are looking for, please call us or send an E-mail.

Le tableau montre pour quelles armes des montages ou pièces spécifiques EAW sont disponibles. Les numéros correspondant aux armes (WKZ) représentent chacun une certaine arme (ou plusieurs de construction de boîtier identique). Ils sont à insérer dans les références de par exemple montages pivotants complets. Au cas où l'arme recherchée serait introuvable, veuillez nous contacter.



Waffenkennziffern/ référence Nos. of rifles/
numéros correspond. aux armes
Schwenkmontagen/ pivot mounts/ montages pivotants
Hebelschwenkmontagen/ pivot mounts with
lever/ montages pivotants à levier
Aufschub-/Aufklappmontagen/ slide-on + roll-off mounts/
paires de socles + rails
16 mm-Sockelpaare + Schienen/ pairs of sockets + rails/
Weaver-Sockelpaare + Schienen/ pairs of sockets + rails/
Picatinny-Schienen/ rails/ rails
Picatinny-Schienen/ rails/ rails
Einzelteile/ single parts/
pièces détachées

	WKZ									
Alle KK mit 11 mm-Prisma, mit metrischen Schrauben/all small calibre rifles with 11 mm dovetail, with screws having metric thread/toute arme de petit calibre à queue d'aronde de 11 mm, avec vis à filetage métrique	001	34								43,48
	000			72-75						
Anschütz KK u.a. mit 11 mm-Pr., mit zolligen Schrauben/Anschütz KK and others with 11mm dovetail, with screws having inch thread/KK Anschütz et autres à queue d'aronde de 11mm, avec vis à filetage au pouce	026	34								43,48
BBF mit 11 mm Laufschiene/with 11 mm barrel rib/à 11mm bande	148			78						
14,5 mm-Prisma/dovetail/queue d'aronde	056			78,80-83			94,96			116
Picatinny	800			84						116
A-Square										
Rep. 416 Rigby	158	34								43,48
Anschütz										
1568, 1574	106	34		88,89	92,94					
1727F	228	34								43,48
1780	222	34					97			43,48
KK	026	34		71						109
LG	050			75						75
Beeman										
	054									75
Benelli										
Argo, Argo Special	273	34,42		88,89	92	90	94	97	97	42,43,48
M1, M3	173						94	97	97	
Beretta										
Silver Sable II	147		36							48
Bettinsoli										
Express BDB	213									48
Blaser										
BBF 88, 700	056			78						43, 48
R8	352			101-103						116
R93	152			101-103						116

KK: Kleinkaliberwaffen/small calibre rifles/armes de petit calibre
BBF: Bockbüchsen/mixed barrel guns/fusils mixtes superposés
BDB: Bockdoppelbüchsen/over/under rifles/carabines superposées

Waffenkennziffern

numéros correspondant aux armes

	WKZ	▲	◆							
	Waffenkennziffern/reference Nos. of rifles/ numéros correspond. aux armes	Schwenkmontagen/pivot mounts/ levier/montages pivotants	Hebelschwenkmontagen/pivot mounts with lever/montages pivotants à levier	Aufschub-/Aufklippmontagen/slide-on + roll-off mounts/ montages à glissière + basculants	11 mm-Sockelpaare + Schienen/pairs of sockets + rails/ paires de sockets + rails	16 mm-Sockelpaare + Schienen/pairs of sockets + rails/ paires de sockets + rails	Weaver-Sockelpaare + Schienen/pairs of sockets + rails/ paires de sockets + rails	Picatinny-Schienen/rails/rails	Picatinny-Schienen/pairs of sockets + rails/ paires de sockets + rails	Einzelteile/single parts/ pièces détachées
Brno										
452, Fox, ZKM, BBF Combo, CZ 527	041	34		80-83						43,48
500, Super, Tatra, ZH, ZPK	042			77			94,96	97		109
ZKK 600, 601, 602, CZ 537, 550	047	34	36							43,48
CZ 531, 550 mit rundem Hülsenkopf/ with rounded top/à queue d'aronde arrondie	096	34								43,48
Browning										
1885	162	34								43,48
A-Bolt, BBR-A, Eurobolt	002	34,42		88,89	92	90	94	97	97	43,48,109
A-Bolt 3	267	34								
A-bolt cal. 222, cal. 223	196	34		88,89	92	90	94	97		43,48
A-Bolt Mountain	167	34		88,89	92	90				43,48
Acera, BAR, BPR, CBL, Maral	003	34,38,42		88,89	92,93	90	94	97	97	43,48,109
BAR Long Trac Linksversion/ left-handed/gaucher	203	34			92,93	90	94	97		43,48
BBR	069	34								43,48
BBR-A WSSM	002/1	34,42		88,89	92		94	97		43,48,109
BDB Erice	242			77			94,96	97		43,48
BLR, CHR, CLR 81, Lightning	103	34		88,89	92	90	94			
BMS, Sniper, Mauser 98	004	34		88,89	92					43,48,109
BSA	027					90	94			
European	143	34		88,89	92	90				43,48,109
Medallion WSSM	167	34		88,89	92	90	94			43,48
T-bolt	221	34					94	97		43,48
X-Bolt (E = 93.8 mm)	312		36			90	94	97	97	48
X-Bolt SA (E = 74.7 mm)	212		36				94	97	97	48
X-Bolt SSA (E = 71.7 mm)	412		36				94	97	97	48
BSA										
Monarch Majestic	041	34								43,48
Repetierer/ bolt action rifle/répét.	027	34			92			97		43,48
Carl Gustaf										
1896,1900 ohne Wulst/ without bulb/sans œilleton	005	34		87-89	92	90	94	97	97	43,48,87
1896, 1900 mit Wulst/ with bulb/avec œilleton	105	34		88,89	92,93	90	94	97	97	43,48
2000, Sauer 80 lang/LA	194	34		88,89	92		94	97	97	43,48
3000	215	34		88,89	92	90	94	97	97	43,48
4000	259	34		88,89	92	90	94			43,48
Chapuis										
Gévaudan 2000	250	34		88,89	92	90				43,46, 48,109
Express	150		36							
Churchill										
Highlander	123	34			92					43,48
Contender										
Pistole/ pistol/pistolet	100				93					
Dakota										
76, 97, Safari	229	34					94			43,48
Repetierer/ bolt action rifle/répét.	224	34					94			43,48

Allgemeines
General
Idées générales

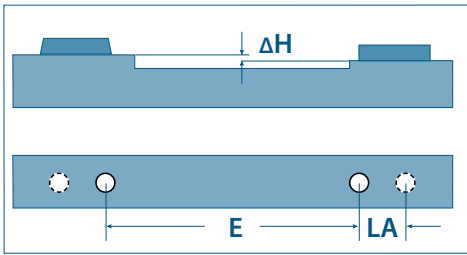
Schwenkmontagen
Pivot Mounts
Montages pivotants

Aufschub-/Aufklippmontagen
Slide-on/Roll-off Mounts
Montages à glissière/basculants

Einbaumontagen
Claw Mounts
Montages à crochets

Ersatzteile und Werkzeuge
Spare Parts and Tools
Pièces de rechange et outils

Tabelle Komplettmontagen, waffenspezifische Einzelteile, Table of Complete Mounts and Single Parts, Rifle Numbers Tableau des montages complets et pièces détachées spécifiques,



Waffenkennziffern/referenzen Nos. of rifles/
numéros correspond. aux armes
Schwenkmontagen/pivot mounts/montages pivotants
Hebelschwenkmontagen/pivot mounts with
lever/montages pivotants à levier
Aufschub-/Aufklappmontagen/slide-on + roll-off mounts/
montages à glissière + basculants
11 mm-Sockelpaare + Schienen/pairs of sockets + rails/
16 mm-Sockelpaare + Schienen/pairs of sockets + rails
Weaver-Sockelpaare + Schienen/pairs of sockets + rails/
Picatinny-Sockelpaare + Schienen/pairs of sockets + rails/
Picatinny-Schienen/rails/rails
Picatinny-Schienen/rails/rails
Einzelteile/single parts/
pièces détachées

	WKZ	-	◆								
Diana											
LG	051										75
Dumoulin											
Armor 2000	165	34									43,48
Enfield											
Rep Nr. 4 Mark 2	230			87							87
Erma											
M1	035			87							87
Fabarm											
BBF	192			78							
IRIS bolt	227	34							97		48
Fair											
BDB Express	182										42,48
Feinwerkbau											
LG 600, K 2600	055	34		71							43,48
Fias											
Churchill	112	34									43,48
FN Browning											
siehe/see/voir Browning											
Forester											
BBF	148			78					97	97	43
Grünig + Elmiger											
Repetierer/bolt action rifle/répét.	089	34		88,89	92	90	94				43,48
Supertarget, Target 200	001	34									43,48
Haenel											
Jaeger 9	092			78				95	97		
Jaeger 10	225	34		88,89	92	90	94	97	97	97	43,48
BBF	810			78				95	97		
SLB 2000	187	34							97	97	43,48
Heckler & Koch											
KK	102					93					
270, 770 Jagdschaft, 940, SL6, SL7	087	34									43,49
SLB 2000	187	34					94		97	97	43,49
Heym											
26 B	190			78							
BBF 22	057										46
BBF 22 S	157			78							46
Express America (19 mm Prisma/ 19 mm dovetail/queue d'aronde de 19 mm)	506			76							
Express Repetierer/bolt action rifle/répét. Light, ΔH = 3,5 mm	120	34									44,49
Express Repetierer/bolt action rifle/répét. ΔH = 1,5 mm	320	34									44,49
SR 10, SR 20	060	34		88,89	92	90					44,49,109
SR 20 Varmint	160	34									44,49
SR 21	306	34		88,89	92	90	94	97	97		44,49
SR 30	206		36								44
SR 30, SR 21 mit Prisma auf Hülsenkopf/ with dovetail on receiver head/à queue d'aronde sur tête de boîtier	406	34		88,89	92	90	94	97	97		44,49,109
SR 40	108	34				92	90				44,49

KK: Kleinkaliberwaffen/small calibre rifles/armes de petit calibre
BBF: Bockbüchsenflinten/mixed barrel guns/fusils mixtes superposés
BDB: Bockdoppelbüchsen/over/under rifles/carabines superposées

Waffenkennziffern

numéros correspondant aux armes

	WKCZ	•	◆								
	Waffenkennziffern/reference Nos. of rifles/ numéros correspond. aux armes	Schwenkmontagen/pivot mounts/ levier/montages pivotants à levier	Hebelschwenkmontagen/pivot mounts with montages à glissière + basculants	Aufschub-/Aufklippmontagen/slide-on + roll-off mounts/ paires de sockets + rails	11 mm-Sockelpaare + Schienen/pairs of sockets + rails/ paires de sockets + rails	16 mm-Sockelpaare + Schienen/pairs of sockets + rails/ paires de sockets + rails	Weaver-Sockelpaare + Schienen/pairs of sockets + rails/ paires de sockets + rails	Picatinny-Schienen/pairs of sockets + rails/ paires de sockets + rails	Picatinny-Schienen/pairs of sockets + rails/ paires de sockets + rails	Einzelteile/single parts/ pièces détachées	
Howa											
1500 Long Action	023	34		88,89	92		94	97	97	44	
1500 S	218	34		88,89	92	90	94	97	97	44,49	
1500 SA	318	34		88,89	92			97	97	44	
Interarms											
Mark X	098	34								44,49	
Kepplinger											
Jägerbüchse	128	34								44,49	
Kettner											
BBF S2000	056										
L 83	010	34		88,89	92	90				44,49	
Luger 04	173	34								44,49	
Luger Mini	207	34								44,49	
Kimber											
84	210	34								44,49	
8400	310	34								44,49	
M89	024	34			92			97		44,49	
Kind-Hubertus											
Mod. 92, 112, 113, Repetierer B	142	34								44,49	
Kongsberg											
Rep 397	239	34								44,49	
Krico											
300, 400	066	34				90	94	97		44,49	
600	106	34		88,89	92	90	94			44,49	
700, 900, 902	006	34		88,89	92	90	94	97	97	44,49	
Krieghoff											
Drilling	133									52,109	
Semprio, Ultra	191	34							97	44,49	
Lakelander											
389	139	34								44,49	
Luger											
siehe/see/voir Kettner											
Lynx											
TD15	138	34		80-83						45,50	
Marlin											
9, 94, 95, 308, 336, 338, 444, 990, 992, 1894, 1895, AS 30, AS 45, XL 7	036	34		88,89	93	90	94	97		44,49	
39	064				93						
455	111	34		88,89	92					44,49	
MR 7	169	34		88,89	92					44,49	
XLR	136	34					94	97	97	44,49	
Marocchi											
512 Finn Classic	193	34		78			94				

Algemeines
General
Idées générales

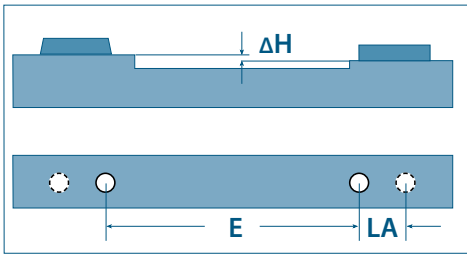
Schwenkmontagen
Pivot Mounts
Montages pivotants

Aufschub-/Aufklippmontagen
Slide-on/Roll-off Mounts
Montages à glissière/basculants

Einhakmontagen
Claw Mounts
Montages à crochets

Ersatzteile und Werkzeuge
Spare Parts and Tools
Pièces de rechange et outils

Tabelle Komplettmontagen, waffenspezifische Einzelteile, Table of Complete Mounts and Single Parts, Rifle Numbers Tableau des montages complets et pièces détachées spécifiques,



Waffenkennziffern/ référence Nos. of rifles/
numéros correspond. aux armes

Schwenkmontagen/ pivot mounts/ montages pivotants

Hebelschwenkmontagen/ pivot mounts with
lever/ montages pivotants à levier

Aufschub-/ Aufklappmontagen/ slide-on + roll-off mounts/
montages à glissière + basculants

11 mm-Sockelpaare + Schienen/ pairs of sockets + rails/
16 mm-Sockelpaare + Schienen/ pairs of sockets + rails

Weaver-Sockelpaare + Schienen/ pairs of sockets + rails/
Picatinny-Schienen/ rails/ rails

Picatinny-Schienen/ rails/ rails

Einzelteile/ single parts/
pièces détachées

	WKZ	-	◆							
Mauser										
66	009	34	88,89							44,49,109
77	063	34								44,49
86	129	34								44,49
M 94, M 96 bis Seriennr./up to serial No./ jusqu'au n° de série 96011999	156	34	88,89	92	90	94	97	97		44,49
97, 96 ab Seriennr./from serial No./à partir du n° de série 960112000	256	34	88,89	92						44,49
98 ohne Wulst/without bulb/sans œilleton	010	34,38,42	88,89	92	90	94	97	97		42,44,49, 87,109
98 mit Wulst/with bulb/avec œilleton	110	34,38	88,89	92,93	90	94	97	97		44,49
M 98, M 12	098	34	88,89	92	90					44,49,109
201 KK	126	34				94				44,49
225 Titan	145	34	88,89	92	90					44,49
226	122	34								44,49
2000, 3000	007	34	88,89	92	90					44,49
4000	008	34	88,89	92	90					44,49
McMillan										
M 88 - hinterer Lochabstand/rear distance between bore holes/entraxe AR: 21,9 mm	144	34								44,49
M 88 - hinterer Lochabstand/rear distance between bore holes/entraxe AR: 15,9 mm	146	34								44,49
Mercury										
870	204	34	88,89	92	90	94	97	95		44
870 mit größerem Hülsenkopf/with bigger receiver head/à plus grande tête de boîtier de culasse	304	34								
Merkel										
BBF	148						97	97		44,49
Helix	286		76							83
SR1 Standard	186	34				94	97	97		44,49
SR1 Basic	187	34				94	97	97		44,49
Mirocu										
BBF	148						97	97		
Mosin Nagant										
M91	054		87							87
Mossberg										
100 ATR, 100 ATR 308W	219	34		92		94	97			44,49
500, 590, 835	590						97	97		
Flinte	178					94	97			
Musgrave										
83, 90, 94, Africa	124	34	88,89	92	90					44,50
2000	099	34								44,50
K98	184	34	88,89	92	90					44,50
Nikko										
7000 Mistral	037	34		92						45,50
Parker Hale										
270, 1100, 1200	011	34	88,89	92	90					45,50
Midland	062	34				95				45,50

KK: Kleinkaliberwaffen/small calibre rifles/armes de petit calibre
BBF: Bockbüchsenflinten/mixed barrel guns/fusils mixtes superposés
BDB: Bockdoppelbüchsen/over/under rifles/carabines superposées

Waffenkennziffern

numéros correspondant aux armes

	WKCZ	^	◆							
	Waffenkennziffern/reference Nos. of rifles/ numéros correspondant. aux armes	Schwenkmontagen/pivot mounts/ levier/montages pivotants	Hebelschwenkmontagen/pivot mounts with levier/montages pivotants à levier	Aufschub-/Aufklippmontagen/slide-on + roll-off mounts/ montages à glissière + basculants	11 mm-Sockelpaare + Schienen/pairs of sockets + rails/ paires de sockets + rails	16 mm-Sockelpaare + Schienen/pairs of sockets + rails/ paires de sockets + rails	Weaver-Sockelpaare + Schienen/pairs of sockets + rails/ paires de sockets + rails	Picatinny-Schienen/pairs of sockets + rails/ paires de sockets + rails	Picatinny-Schienen/pairs of sockets + rails/ paires de sockets + rails	Einzelteile/single parts/ pièces détachées
Pfeifer Waffen										
Safety Rifle	166	34								45,50
Remington										
40-XB	079	34		88,89	92	91				45,50
78	012	34,38,42		88,89	92		95	97	97	42,44,50
504	118	34								45,50
541-T	119				92					
600, 660, XP 100, Mohawk	032	34		88,89	92		95	97	97	44,50
700 LA	012	34,38,42		88,89	92	91	95	97	97	42,44,50
700 LTR, 700 SA	012/1	34		88,89	92	91	95	97	97	44,50
710	710	34		88,89	92	91	95	97		44,50
730, 732, 740, 742, 760	013	34		88,89	92	91	95	97	97	44,50
750	211	34					95	97		44,50
770	217	34					95	97		44,50
778 kurz	031	34								44,50
788 lang	131	34								44,50
870	870								97	
7400, 7500, 7600	074	34,38,42		88,89	92	91	95	97	97	42,44,50
Seven	078	34		88,89	92	91	95	97		45,50
XR 100	188	34								45,50
Rizzini										
BDB	181									46
Express ab 2000	282									46
Rößler										
Titan 3, Titan 6, α (Alpha)	459	34		74,88,89	92	91	95	97	97	45,50
Titan 16	356	34		74,88,89			95	97	97	45,50
Ruger										
No. 1 mit Laufschiene/with barrel rib/ à bande	071		36	72						
10/22	095				93		95	97	97	
44 Magnum	028	34								45,50
M77	043	34			92					45,50
M77 MK2, Hawkeye	080		36	72						
American	164	34					95	97	97	45,50
Mini 14	065			87						87
RWS										
Rep. 89	223	34		88,89	92	91				45,50
Sabatti										
BBF	148		36					97	97	
Rover 870	155	34			92	91				45,50
Sako										
85M	414	34		79			95			45,50
A7M	232/1	34			92					45,50
A7S	232	34			92			97	97	45,50
Finnwolf	070	34								45,50
L461 Vixen, 75	114	34		79						45,50
L579 Forester, L581, L591, L691, M591, 75	214	34,38		79						45,50
L61R Finnbear, L961, M995, M75	314	34								45,50
MA 05, 85	414	34		79			95			45,50
TRG 21, 41	238	34,42		74,80-83				97	97	42,45,50
TRG 22, 42	238/1	34,42		74,80-83				97	97	42,45,50

Algemeines
General
Idées générales

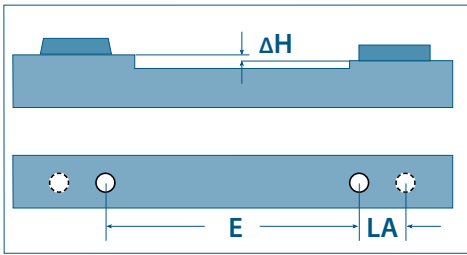
Schwenkmontagen
Pivot Mounts
Montages pivotants

Aufschub-/Aufklippmontagen
Slide-on/Roll-off Mounts
Montages à glissière/basculants

Einhakmontagen
Claw Mounts
Montages à crochets

Ersatzteile und Werkzeuge
Spare Parts and Tools
Pièces de rechange et outils

Tabelle Komplettmontagen, waffenspezifische Einzelteile, Table of Complete Mounts and Single Parts, Rifle Numbers Tableau des montages complets et pièces détachées spécifiques,



Waffenkennziffern/ référence Nos. of rifles/
numéros correspond. aux armes

Schwenkmontagen/ pivot mounts/ montages pivotants

Hebelschwenkmontagen/ pivot mounts with
lever/ montages pivotants à levier

Aufschub-/Aufklappmontagen/ slide-on + roll-off mounts/
montages à glissière + basculants

11 mm-Sockelpaare + Schienen/ pairs of sockets + rails/
16 mm-Sockelpaare + Schienen/ pairs of sockets + rails

Weaver-Sockelpaare + Schienen/ pairs of sockets + rails/
Picatinny-Schienen/ rails/ rails

Picatinny-Schienen/ pairs of sockets + rails/
Picatinny-Schienen/ rails/ rails

Einzelteile/ single parts/
pièces détachées

	WKZ	-	◆							
SAN Swiss Arms										
SHR 970 bitte angeben: 4 o. 6 Bohrungen/ pls indicate number of bore holes/ s.v.p. indiquer le nombre d'alésages	175	34				92	91		97	46,50
SHR 979	275	34						95		46,50
Santa Barbara										
Repetierer/bolt action rifle/répét.	044	34	36	88,89	92	91				45,50,109
Sauer										
80, 90, 92, SSG 2000	015	34		88,89	92	91	95	97	97	45,50,109
101	197	34			92		95	97	97	45,50
200	059	34		88,89	92	91	95	97	97	42,45,50
200, 205, STR, SSG 3000	959	34	36							45,50,77
202 Medium	759	34		88,89	92	91	95	97	97	42,45,50
202 Magnum	659	34		88,89	92	91	95	97	97	42,45,50
303	195		36							116
404	404		36							
SSG 3000	359				77					
Drilling 3000	130									46,50,109
Savage										
10, 11 Scout	231	34							97	45,50
99c	163	34								45,50
110, 112, 116	016	34		88,89	92	91	95	97		45,50
110 Accu Trigger	164	34					95	97	97	45,50
110 Accu Trigger SA	164/1	34					95	97		45,50
BBF M24 R 6.35	040				93					
Saxonia										
Sniper	189	34								45,50
Schultz & Larsen										
65 DL, 68 DL, M 100	099	34		88,89		91				45,50
K98	084	34		88,89	92	91				45,50
M97-DL	199	34		88,89		91	95			45,50
Schweizer Karabiner										
K31	073	34		87						45,50,87
Shilen										
	088	34								45,50
SIG										
98	252			74						
SIG Sauer										
siehe/see/voir Sauer										
Smith & Wesson										
1500	091	34		88,89	92	91				45,50
586 und ähnliche/and similar models/ et modèles similaires	703				93		95			

KK: Kleinkaliberwaffen/small calibre rifles/armes de petit calibre
BBF: Bockbüchsen/mixed barrel guns/fusils mixtes superposés
BDB: Bockdoppelbüchsen/over/under rifles/carabines superposées

Waffenkennziffern

numéros correspondant aux armes

	WKCZ	▲	◆	▲	▲	▲	▲	▲	▲	▲	▲
	Waffenkennziffern/reference Nos. of rifles/ numéros correspond. aux armes	Schwenkmontagen/pivot mounts/ levier/montages pivotants	Hebelschwenkmontagen/pivot mounts with levier/montages pivotants à levier	Aufschub-/Aufklappmontagen/slide-on + roll-off mounts/ montages à glissière + basculants	11 mm-Sockelpaare + Schienen/pairs of sockets + rails/ paires de sockets + rails	16 mm-Sockelpaare + Schienen/pairs of sockets + rails/ paires de sockets + rails	Weaver-Sockelpaare + Schienen/pairs of sockets + rails/ paires de sockets + rails	Picatinny-Schienen/pairs of sockets + rails/ paires de sockets + rails	Picatinny-Schienen/pairs of sockets + rails/ paires de sockets + rails	Einzelteile/single parts/ pièces détachées	
Steyr / Steyr Mannlicher											
Police I + II	033	34		80-83							46,50
SBS-96 Export S, Pro Hunter S	302	34		88,89	92	91					46,50
SBS-96 Export SL	402	34		88,89	92						46,50
SBS-96 L Classic, Pro Hunter L/M, SM 12	202	34,38		88,89	92,93	91	95	98	98		46,50
Scout	176		36								46,50
Sportler, SSG 69	033	34		80-83							46,50
Tactical	177			80-83							
Jagdmatch L/SL	018	34		88,89	92		95				46,50
S, SBS 96L, SBS 96S	018	34		88,89	92		95	98			46,50
L	093	34		88,89	92,93	91	9	98	98		46,50
Luxus	208	34									46,50
M, Luxus L/M/S	086	34		88,89	92	91		98	98		46,50
M72 L/M/S	019	34									46,50
Schönauer GK	034		36	87							46,50, 87,109
SL	017	34		88,89	92,93	91	95	98	98		46,50
Suhler											
Drilling	116										47, 52
Thompson											
22 Classic	185				93		95	98			46,51
Center TCR 83	113				93						
Tikka											
55, 65, 76, Model L/M	038	34		74,75,80-82							46,51
558, 595, 658, 690, Continental, Popular	138	34		74,75,80-82							46,51
BBF 412 S, 512, Italia	168										78
M 595 RH	538	34		74,75,80-82							46,51
M 695 RH	638	34		74,75,80-82							46,51
T3	238	34							98		46,51
Unique											
TGC	135	34									46
US											
M1 Carbine	067			87							87
Valmet											
412, S, Petra	068			78							
BBF	039										
Varberger											
717, 757, 777, Luxus	154	34		88,89	92	91					46,51
Verney-Carron											
Impact Auto, NT	405	34		88,89	92	91	95	98			46,51
Express	172										51
Impact LA	226	34					95	98	98		46,51
Voere											
2145 Titan II	045	34		88,89	92	91	95	98			46,51,109
2140 Titan I	020	34									46,51,109
2155, 2165 Kufstein	021	34		88,89	92	91					46,51
2175, STL 3	127	34			92						46,51
2185 Automat	141	34					95	98			46,51
3145 Titan Menor	061	34									46,51
LBW	264	34					95				46,51
Tirolerin	216	34	36								46,51
VEC91	134	34			92	91					46,51

Algemeines
General
Idées générales

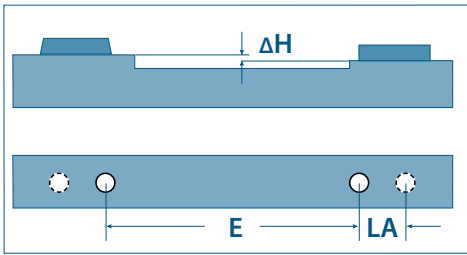
Schwenkmontagen
Pivot Mounts
Montages pivotants

Aufschub-/Aufklappmontagen
Slide-on/Roll-off Mounts
Montages à glissière/basculants

Einbaumontagen
Claw Mounts
Montages à crochets

Ersatzteile und Werkzeuge
Spare Parts and Tools
Pièces de rechange et outils

Tabelle Komplettmontagen, waffenspezifische Einzelteile, Table of Complete Mounts and Single Parts, Rifle Numbers Tableau des montages complets et pièces détachées spécifiques,



Waffenkennziffern/ référence Nos. of rifles/
numéros correspond. aux armes

Schwenkmontagen/ pivot mounts/ montages pivotants

Hebelschwenkmontagen/ pivot mounts with
lever/ montages pivotants à levier

Aufschub-/ Aufklappmontagen/ slide-on + roll-off mounts/
montages à glissière + basculants

11 mm-Sockelpaare + Schienen/ pairs of sockets + rails/
16 mm-Sockelpaare + Schienen/ pairs of sockets + rails

Weaver-Sockelpaare + Schienen/ pairs of sockets + rails/
Picatinny-Schienen/ rails/ rails

Picatinny-Schienen/ pairs of sockets + rails/
Picatinny-Schienen/ rails/ rails

Einzelteile/ single parts/
pièces détachées

	WKZ	-	◆							
Waldberg										
Doppelbüchse	170									46,51
Weatherby										
Europe, Mark V, Vanguard	023	34		88,89	92	91	95	98	98	46,51
Junior	058	34								46,51
Mark V Ultralight	058	34								46,51
Weihrauch										
HW 60, HW 66	153	34								46,51
LG	052			75						
LG 13/14 mm Prisma/13/14 mm dovetail/ queue d'aronde de 13/14 mm	053			75						75
Winchester										
777	072	34		88,89	92	91				46,51
100, 88	025	34					95	98		46,51
223 WSSM	117	34		88,89	92	91				46,51
770, 70 Long, Short, Standard, Target (LA = 21,9)	024	34	36	88,89	92	91	95	98		46,51
70 Magnum (LA = 11 mm)	029	34		88,89	92	91				46,51
70 XTR (LA = 8,9 mm)	085	34,38			92		95	98		46,51
94	030			87-89	92	91	95			84
SXR Vulcan	003	34		88,89	92		95	98	98	46,51
XPR	235	34						98	98	46,51
Zanardini										
BBF	148							98	98	
Zastava										
M 70	049	34		88,89	92	91				46,51
Mini Mauser	107	34								46,51
Zoli										
BBF SP 90-95	092			78			95	97		
1900 Batue, Taiga	305	34		88,89	92	91	95	98	98	43,48
Drilling	132									46,50

Allgemeines
General
Idées générales

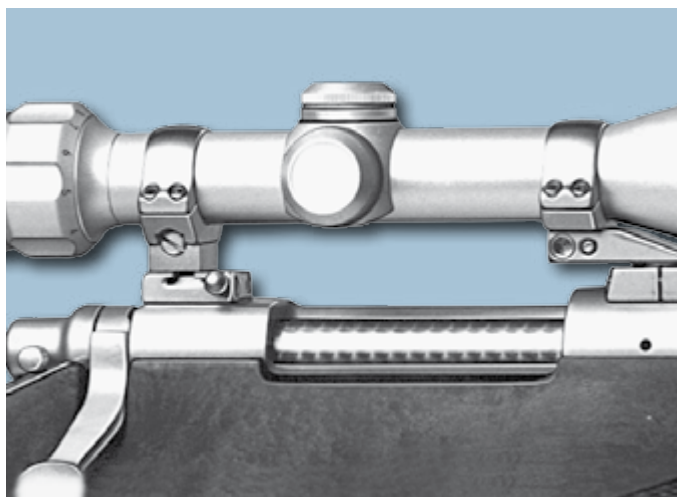
Schwenkmontagen
Pivot Mounts
Montages pivotants

Aufschub-/ Aufklappmontagen
Slide-on/Roll-off Mounts
Montages à glissière/basculants

Einhakmontagen
Claw Mounts
Montages à crochets

Ersatzteile und Werkzeuge
Spare Parts and Tools
Pièces de rechange et outils

KK: Kleinkaliberwaffen/small calibre rifles/armes de petit calibre
BBF: Bockbüchsen/mixed barrel guns/fusils mixtes superposés
BDB: Bockdoppelbüchsen/over/under rifles/carabines superposées



„Stainless Look“

Für Liebhaber von Stainless-Waffen sind alle Montagen gegen Aufpreis in einer hochwertig vernickelten Ausführung („Stainless Look“) erhältlich.

“Stainless Look“

Those who favour stainless rifles can have all mounts and parts furnished with a high-quality nickel coating (“stainless look”) at an extra charge.

«Aspect inoxydable»

Comme souhaité par les amateurs des armes inox, tout montage est livrable aussi en version nickelée de première qualité («aspect inox») sur demande, moyennant un supplément.



EAW-Montagen mit mattierter Oberfläche

Auf Wunsch sind alle EAW-Montagen gegen Aufpreis mit mattierter Oberfläche erhältlich. Damit passt sich das Design an die Oberfläche der modernen Zielfernrohre an.

EAW Mounts with Matt Finish

All EAW mounts are now also available matted at an extra charge, to blend perfectly with the finish of modern scopes.

Montages EAW en finition mate

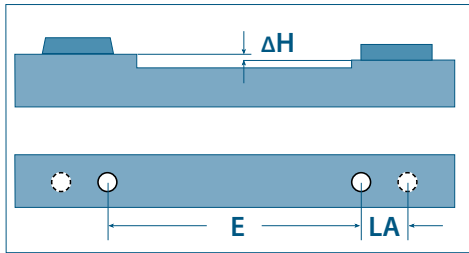
Tous les montages EAW sont maintenant disponibles aussi en finition mate, moyennant un supplément, pour s'accorder bien aux lunettes récentes.

Tabelle Komplettmontagen, waffenspezifische Einzelteile, Table of Complete Mounts and Single Parts, Rifle Numbers Tableau des montages complets et pièces détachées spécifiques,

Diese Tabelle gibt einen Überblick darüber, für welche Waffen EAW-Montagen oder spezielle Montageteile erhältlich sind. Die Waffenkennziffer WKZ steht jeweils für eine bestimmte Waffe bzw. maßgleiche Waffen und muss in die Bestellnr. von z.B. kompletten Schwenkmontagen eingesetzt werden. Sollten die von Ihnen gesuchte Waffen nicht gelistet sein, können Sie gerne bei uns nachfragen.

This table shows for which rifles EAW mounts or special mounting parts are available. The rifle numbers (WKZ) stand each one for a certain rifle or several rifles of an identical receiver construction. They need to be inserted into the part numbers of e. g. complete pivot mounts. If you cannot find in the table the rifle that you are looking for, please call us or send an E-mail.

Le tableau montre pour quelles armes des montages ou pièces spécifiques EAW sont disponibles. Les numéros correspondant aux armes (WKZ) représentent chacun une certaine arme (ou plusieurs de construction de boîtier identique). Ils sont à insérer dans les références de par exemple montages pivotants complets. Au cas où l'arme recherchée serait introuvable, veuillez nous contacter.



Waffenkennziffern/ référence Nos. of rifles/
numéros correspond. aux armes
Schwenkmontagen/ pivot mounts/ montages pivotants
Hebelschwenkmontagen/ pivot mounts with
lever/ montages pivotants à levier
Aufschub-/Aufklappmontagen/ slide-on + roll-off mounts/
paires de socles + rails
16 mm-Sockelpaare + Schienen/ pairs of sockets + rails/
Weaver-Sockelpaare + Schienen/ pairs of sockets + rails/
Picatinny-Schienen/ rails/ rails
Picatinny-Schienen/ rails/ rails
Einzelteile/ single parts/
pièces détachées

	WKZ										
Alle KK mit 11 mm-Prisma, mit metrischen Schrauben/all small calibre rifles with 11 mm dovetail, with screws having metric thread/toute arme de petit calibre à queue d'aronde de 11 mm, avec vis à filetage métrique	001 000	34								43,48	
					72-75						
Anschütz KK u.a. mit 11 mm-Pr., mit zolligen Schrauben/Anschütz KK and others with 11mm dovetail, with screws having inch thread/KK Anschütz et autres à queue d'aronde de 11mm, avec vis à filetage au pouce	026	34								43,48	
BBF mit 11 mm Laufschiene/with 11 mm barrel rib/à 11mm bande	148				78						
14,5 mm-Prisma/dovetail/queue d'aronde	056				78,80-83			94,96		116	
Picatinny	800				84					116	
A-Square											
Rep. 416 Rigby	158	34								43,48	
Anschütz											
1568, 1574	106	34			88,89	92,94					
1727F	228	34								43,48	
1780	222	34						97		43,48	
KK	026	34			71					109	
LG	050				75					75	
Beeman											
	054									75	
Benelli											
Argo, Argo Special	273	34,42			88,89	92	90	94	97	97	42,43,48
M1, M3	173							94	97	97	
Beretta											
Silver Sable II	147			36							48
Bettinsoli											
Express BDB	213										48
Blaser											
BBF 88, 700	056				78						43, 48
R8	352				101-103						116
R93	152				101-103						116

KK: Kleinkaliberwaffen/small calibre rifles/armes de petit calibre
BBF: Bockbüchsen/mixed barrel guns/fusils mixtes superposés
BDB: Bockdoppelbüchsen/over/under rifles/carabines superposées

Waffenkennziffern

numéros correspondant aux armes

	WKZ	▲	◆							
	Waffenkennziffern/reference Nos. of rifles/ numéros correspond. aux armes	Schwenkmontagen/pivot mounts/ levier/montages pivotants	Hebelschwenkmontagen/pivot mounts with lever/montages pivotants à levier	Aufschub-/Aufklippmontagen/slide-on + roll-off mounts/ paires de socles + basculants	11 mm-Sockelpaare + Schienen/pairs of sockets + rails/ paires de socles + rails	16 mm-Sockelpaare + Schienen/pairs of sockets + rails/ paires de socles + rails	Weaver-Sockelpaare + Schienen/pairs of sockets + rails/ paires de socles + rails	Picatinny-Schienen/rails/rails	Picatinny-Schienen/pairs of sockets + rails/ paires de socles + rails	Einzelteile/single parts/ pièces détachées
Brno										
452, Fox, ZKM, BBF Combo, CZ 527	041	34		80-83						43,48
500, Super, Tatra, ZH, ZPK	042			77			94,96	97		109
ZKK 600, 601, 602, CZ 537, 550	047	34	36							43,48
CZ 531, 550 mit rundem Hülsenkopf/ with rounded top/à queue d'aronde arrondie	096	34								43,48
Browning										
1885	162	34								43,48
A-Bolt, BBR-A, Eurobolt	002	34,42		88,89	92	90	94	97	97	43,48,109
A-Bolt 3	267	34								
A-bolt cal. 222, cal. 223	196	34		88,89	92	90	94	97		43,48
A-Bolt Mountain	167	34		88,89	92	90				43,48
Acera, BAR, BPR, CBL, Maral	003	34,38,42		88,89	92,93	90	94	97	97	43,48,109
BAR Long Trac Linksversion/ left-handed/gaucher	203	34			92,93	90	94	97		43,48
BBR	069	34								43,48
BBR-A WSSM	002/1	34,42		88,89	92		94	97		43,48,109
BDB Erice	242			77			94,96	97		43,48
BLR, CHR, CLR 81, Lightning	103	34		88,89	92	90	94			
BMS, Sniper, Mauser 98	004	34		88,89	92					43,48,109
BSA	027					90	94			
European	143	34		88,89	92	90				43,48,109
Medallion WSSM	167	34		88,89	92	90	94			43,48
T-bolt	221	34					94	97		43,48
X-Bolt (E = 93.8 mm)	312		36			90	94	97	97	48
X-Bolt SA (E = 74.7 mm)	212		36				94	97	97	48
X-Bolt SSA (E = 71.7 mm)	412		36				94	97	97	48
BSA										
Monarch Majestic	041	34								43,48
Repetierer/ bolt action rifle/répét.	027	34			92			97		43,48
Carl Gustaf										
1896,1900 ohne Wulst/ without bulb/sans œilleton	005	34		87-89	92	90	94	97	97	43,48,87
1896, 1900 mit Wulst/ with bulb/avec œilleton	105	34		88,89	92,93	90	94	97	97	43,48
2000, Sauer 80 lang/LA	194	34		88,89	92		94	97	97	43,48
3000	215	34		88,89	92	90	94	97	97	43,48
4000	259	34		88,89	92	90	94			43,48
Chapuis										
Gévaudan 2000	250	34		88,89	92	90				43,46, 48,109
Express	150		36							
Churchill										
Highlander	123	34			92					43,48
Contender										
Pistole/ pistol/pistolet	100				93					
Dakota										
76, 97, Safari	229	34					94			43,48
Repetierer/ bolt action rifle/répét.	224	34					94			43,48

Allgemeines
General
Idées générales

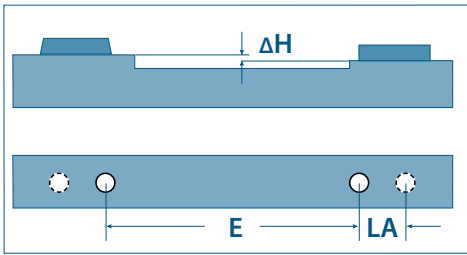
Schwenkmontagen
Pivot Mounts
Montages pivotants

Aufschub-/Aufklippmontagen
Slide-on/Roll-off Mounts
Montages à glissière/basculants

Einbaumontagen
Claw Mounts
Montages à crochets

Ersatzteile und Werkzeuge
Spare Parts and Tools
Pièces de rechange et outils

Tabelle Komplettmontagen, waffenspezifische Einzelteile, Table of Complete Mounts and Single Parts, Rifle Numbers Tableau des montages complets et pièces détachées spécifiques,



Waffenkennziffern/ référence Nos. of rifles/
numéros correspond. aux armes

Schwenkmontagen/ pivot mounts/
Hebelschwenkmontagen/ pivot mounts with
lever/ montages pivotants à levier

Aufschub-/ Aufklappmontagen/ slide-on + roll-off mounts/
montages à glissière + basculants

11 mm-Sockelpaare + Schienen/ pairs of sockets + rails/
16 mm-Sockelpaare + Schienen/ pairs of sockets + rails

Weaver-Sockelpaare + Schienen/ pairs of sockets + rails/
Picatinny-Schienen/ rails/ rails

Picatinny-Schienen/ pairs of sockets + rails/
Picatinny-Schienen/ rails/ rails

Einzelteile/ single parts/
pièces détachées

	WKZ	-	◆								
Diana											
LG	051									75	
Dumoulin											
Armor 2000	165	34								43,48	
Enfield											
Rep Nr. 4 Mark 2	230			87						87	
Erma											
M1	035			87						87	
Fabarm											
BBF	192			78							
IRIS bolt	227	34							97	48	
Fair											
BDB Express	182									42,48	
Feinwerkbau											
LG 600, K 2600	055	34		71						43,48	
Fias											
Churchill	112	34								43,48	
FN Browning											
siehe/see/voir Browning											
Forester											
BBF	148			78					97	97	43
Grünig + Elmiger											
Repetierer/bolt action rifle/répét.	089	34		88,89	92	90	94			43,48	
Supertarget, Target 200	001	34								43,48	
Haenel											
Jaeger 9	092			78				95	97		
Jaeger 10	225	34		88,89	92	90	94	97	97	43,48	
BBF	810			78				95	97		
SLB 2000	187	34							97	97	43,48
Heckler & Koch											
KK	102					93					
270, 770 Jagdschaft, 940, SL6, SL7	087	34								43,49	
SLB 2000	187	34				94			97	97	43,49
Heym											
26 B	190			78							
BBF 22	057									46	
BBF 22 S	157			78						46	
Express America (19 mm Prisma/ 19 mm dovetail/queue d'aronde de 19 mm)	506			76							
Express Repetierer/bolt action rifle/répét. Light, ΔH = 3,5 mm	120	34								44,49	
Express Repetierer/bolt action rifle/répét. ΔH = 1,5 mm	320	34								44,49	
SR 10, SR 20	060	34		88,89	92	90				44,49,109	
SR 20 Varmint	160	34								44,49	
SR 21	306	34		88,89	92	90	94	97	97	44,49	
SR 30	206		36							44	
SR 30, SR 21 mit Prisma auf Hülsenkopf/ with dovetail on receiver head/à queue d'aronde sur tête de boîtier	406	34		88,89	92	90	94	97	97	44,49,109	
SR 40	108	34			92	90				44,49	

KK: Kleinkaliberwaffen/**small calibre rifles/armes de petit calibre**
BBF: Bockbüchsenflinten/**mixed barrel guns/fusils mixtes superposés**
BDB: Bockdoppelbüchsen/**over/under rifles/carabines superposées**

Waffenkennziffern

numéros correspondant aux armes

	WKCZ	•	◆								
	Waffenkennziffern/reference Nos. of rifles/ numéros correspond. aux armes	Schwenkmontagen/pivot mounts/ levier/montages pivotants à levier	Hebelschwenkmontagen/pivot mounts with montages à glissière + basculants	Aufschub-/Aufklippmontagen/slide-on + roll-off mounts/ paires de sockets + rails	11 mm-Sockelpaare + Schienen/pairs of sockets + rails/ paires de sockets + rails	16 mm-Sockelpaare + Schienen/pairs of sockets + rails/ paires de sockets + rails	Weaver-Sockelpaare + Schienen/pairs of sockets + rails/ paires de sockets + rails	Picatinny-Schienen/pairs of sockets + rails/ paires de sockets + rails	Picatinny-Schienen/pairs of sockets + rails/ paires de sockets + rails	Einzelteile/single parts/ pièces détachées	
Howa											
1500 Long Action	023	34		88,89	92		94	97	97	44	
1500 S	218	34		88,89	92	90	94	97	97	44,49	
1500 SA	318	34		88,89	92			97	97	44	
Interarms											
Mark X	098	34								44,49	
Kepplinger											
Jägerbüchse	128	34								44,49	
Kettner											
BBF S2000	056										
L 83	010	34		88,89	92	90				44,49	
Luger 04	173	34								44,49	
Luger Mini	207	34								44,49	
Kimber											
84	210	34								44,49	
8400	310	34								44,49	
M89	024	34			92			97		44,49	
Kind-Hubertus											
Mod. 92, 112, 113, Repetierer B	142	34								44,49	
Kongsberg											
Rep 397	239	34								44,49	
Krico											
300, 400	066	34				90	94	97		44,49	
600	106	34		88,89	92	90	94			44,49	
700, 900, 902	006	34		88,89	92	90	94	97	97	44,49	
Krieghoff											
Drilling	133									52,109	
Semprio, Ultra	191	34							97	44,49	
Lakelander											
389	139	34								44,49	
Luger											
siehe/see/voir Kettner											
Lynx											
TD15	138	34		80-83						45,50	
Marlin											
9, 94, 95, 308, 336, 338, 444, 990, 992, 1894, 1895, AS 30, AS 45, XL 7	036	34		88,89	93	90	94	97		44,49	
39	064				93						
455	111	34		88,89	92					44,49	
MR 7	169	34		88,89	92					44,49	
XLR	136	34					94	97	97	44,49	
Marocchi											
512 Finn Classic	193	34		78			94				

Allgemeines
General
Idées générales

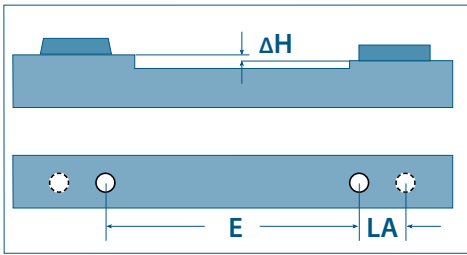
Schwenkmontagen
Pivot Mounts
Montages pivotants

Aufschub-/Aufklippmontagen
Slide-on/Roll-off Mounts
Montages à glissière/basculants

Einbaumontagen
Claw Mounts
Montages à crochets

Ersatzteile und Werkzeuge
Spare Parts and Tools
Pièces de rechange et outils

Tabelle Komplettmontagen, waffenspezifische Einzelteile, Table of Complete Mounts and Single Parts, Rifle Numbers Tableau des montages complets et pièces détachées spécifiques,



Waffenkennziffern/ référence Nos. of rifles/
numéros correspond. aux armes

Schwenkmontagen/ pivot mounts/ montages pivotants

Hebelschwenkmontagen/ pivot mounts with
lever/ montages pivotants à levier

Aufschub-/ Aufklappmontagen/ slide-on + roll-off mounts/
montages à glissière + basculants

11 mm-Sockelpaare + Schienen/ pairs of sockets + rails/
16 mm-Sockelpaare + Schienen/ pairs of sockets + rails

Weaver-Sockelpaare + Schienen/ pairs of sockets + rails/
Picatinny-Schienen/ rails/ rails

Picatinny-Schienen/ rails/ rails

Einzelteile/ single parts/
pièces détachées

	WKZ	-	◆							
Mauser										
66	009	34	88,89							44,49,109
77	063	34								44,49
86	129	34								44,49
M 94, M 96 bis Seriennr./up to serial No./ jusqu'au n° de série 96011999	156	34	88,89	92	90	94	97	97		44,49
97, 96 ab Seriennr./from serial No./à partir du n° de série 960112000	256	34	88,89	92						44,49
98 ohne Wulst/without bulb/sans œilleton	010	34,38,42	88,89	92	90	94	97	97		42,44,49, 87,109
98 mit Wulst/with bulb/avec œilleton	110	34,38	88,89	92,93	90	94	97	97		44,49
M 98, M 12	098	34	88,89	92	90					44,49,109
201 KK	126	34				94				44,49
225 Titan	145	34	88,89	92	90					44,49
226	122	34								44,49
2000, 3000	007	34	88,89	92	90					44,49
4000	008	34	88,89	92	90					44,49
McMillan										
M 88 - hinterer Lochabstand/rear distance between bore holes/entraxe AR: 21,9 mm	144	34								44,49
M 88 - hinterer Lochabstand/rear distance between bore holes/entraxe AR: 15,9 mm	146	34								44,49
Mercury										
870	204	34	88,89	92	90	94	97	95		44
870 mit größerem Hülsenkopf/with bigger receiver head/à plus grande tête de boîtier de culasse	304	34								
Merkel										
BBF	148						97	97		44,49
Helix	286		76							83
SR1 Standard	186	34				94	97	97		44,49
SR1 Basic	187	34				94	97	97		44,49
Mirocu										
BBF	148						97	97		
Mosin Nagant										
M91	054		87							87
Mossberg										
100 ATR, 100 ATR 308W	219	34		92		94	97			44,49
500, 590, 835	590						97	97		
Flinte	178					94	97			
Musgrave										
83, 90, 94, Africa	124	34	88,89	92	90					44,50
2000	099	34								44,50
K98	184	34	88,89	92	90					44,50
Nikko										
7000 Mistral	037	34		92						45,50
Parker Hale										
270, 1100, 1200	011	34	88,89	92	90					45,50
Midland	062	34					95			45,50

KK: Kleinkaliberwaffen/small calibre rifles/armes de petit calibre
BBF: Bockbüchsenflinten/mixed barrel guns/fusils mixtes superposés
BDB: Bockdoppelbüchsen/over/under rifles/carabines superposées

Waffenkennziffern

numéros correspondant aux armes

	WKCZ	^	◆							
	Waffenkennziffern/reference Nos. of rifles/ numéros correspond. aux armes	Schwenkmontagen/pivot mounts/ levier/montages pivotants	Hebelschwenkmontagen/pivot mounts with lever/montages pivotants à levier	Aufschub-/Aufklippmontagen/slide-on + roll-off mounts/ montages à glissière + basculants	11 mm-Sockelpaare + Schienen/pairs of sockets + rails/ paires de sockets + rails	16 mm-Sockelpaare + Schienen/pairs of sockets + rails/ paires de sockets + rails	Weaver-Sockelpaare + Schienen/pairs of sockets + rails/ paires de sockets + rails	Picatinny-Schienen/pairs of sockets + rails/ Picatinny-Schienen/pairs of sockets + rails	Picatinny-Schienen/pairs of sockets + rails/ Picatinny-Schienen/pairs of sockets + rails	Einzelteile/single parts/ pièces détachées
Pfeifer Waffen										
Safety Rifle	166	34								45,50
Remington										
40-XB	079	34		88,89	92	91				45,50
78	012	34,38,42		88,89	92		95	97	97	42,44,50
504	118	34								45,50
541-T	119				92					
600, 660, XP 100, Mohawk	032	34		88,89	92		95	97	97	44,50
700 LA	012	34,38,42		88,89	92	91	95	97	97	42,44,50
700 LTR, 700 SA	012/1	34		88,89	92	91	95	97	97	44,50
710	710	34		88,89	92	91	95	97		44,50
730, 732, 740, 742, 760	013	34		88,89	92	91	95	97	97	44,50
750	211	34					95	97		44,50
770	217	34					95	97		44,50
778 kurz	031	34								44,50
788 lang	131	34								44,50
870	870								97	
7400, 7500, 7600	074	34,38,42		88,89	92	91	95	97	97	42,44,50
Seven	078	34		88,89	92	91	95	97		45,50
XR 100	188	34								45,50
Rizzini										
BDB	181									46
Express ab 2000	282									46
Rößler										
Titan 3, Titan 6, α (Alpha)	459	34		74,88,89	92	91	95	97	97	45,50
Titan 16	356	34		74,88,89			95	97	97	45,50
Ruger										
No. 1 mit Laufschiene/with barrel rib/ à bande	071		36	72						
10/22	095				93		95	97	97	
44 Magnum	028	34								45,50
M77	043	34			92					45,50
M77 MK2, Hawkeye	080		36	72						
American	164	34					95	97	97	45,50
Mini 14	065			87						87
RWS										
Rep. 89	223	34		88,89	92	91				45,50
Sabatti										
BBF	148		36					97	97	
Rover 870	155	34			92	91				45,50
Sako										
85M	414	34		79			95			45,50
A7M	232/1	34			92					45,50
A7S	232	34			92			97	97	45,50
Finnwolf	070	34								45,50
L461 Vixen, 75	114	34		79						45,50
L579 Forester, L581, L591, L691, M591, 75	214	34,38		79						45,50
L61R Finnbear, L961, M995, M75	314	34								45,50
MA 05, 85	414	34		79			95			45,50
TRG 21, 41	238	34,42		74,80-83				97	97	42,45,50
TRG 22, 42	238/1	34,42		74,80-83				97	97	42,45,50

Algemeines
General
Idées générales

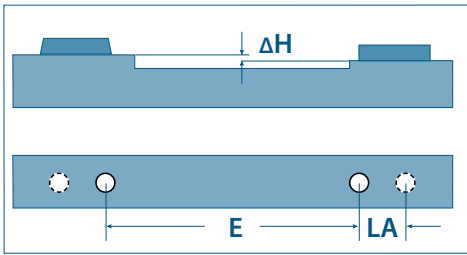
Schwenkmontagen
Pivot Mounts
Montages pivotants

Aufschub-/Aufklippmontagen
Slide-on/Roll-off Mounts
Montages à glissière/basculants

Einhakmontagen
Claw Mounts
Montages à crochets

Ersatzteile und Werkzeuge
Spare Parts and Tools
Pièces de rechange et outils

Tabelle Komplettmontagen, waffenspezifische Einzelteile, Table of Complete Mounts and Single Parts, Rifle Numbers Tableau des montages complets et pièces détachées spécifiques,



Waffenkennziffern/ référence Nos. of rifles/
numéros correspond. aux armes

Schwenkmontagen/ pivot mounts/ montages pivotants

Hebelschwenkmontagen/ pivot mounts with
lever/ montages pivotants à levier

Aufschub-/Aufklappmontagen/ slide-on + roll-off mounts/
montages à glissière + basculants

11 mm-Sockelpaare + Schienen/ pairs of sockets + rails/
16 mm-Sockelpaare + Schienen/ pairs of sockets + rails

Weaver-Sockelpaare + Schienen/ pairs of sockets + rails/
Picatinny-Schienen/ rails/ rails

Picatinny-Schienen/ rails/ rails

Einzelteile/ single parts/
pièces détachées

	WKZ	-	◆							
SAN Swiss Arms										
SHR 970 bitte angeben: 4 o. 6 Bohrungen/ pls indicate number of bore holes/ s.v.p. indiquer le nombre d'alésages	175	34				92	91		97	46,50
SHR 979	275	34						95		46,50
Santa Barbara										
Repetierer/bolt action rifle/répét.	044	34	36	88,89	92	91				45,50,109
Sauer										
80, 90, 92, SSG 2000	015	34		88,89	92	91	95	97	97	45,50,109
101	197	34			92		95	97	97	45,50
200	059	34		88,89	92	91	95	97	97	42,45,50
200, 205, STR, SSG 3000	959	34	36							45,50,77
202 Medium	759	34		88,89	92	91	95	97	97	42,45,50
202 Magnum	659	34		88,89	92	91	95	97	97	42,45,50
303	195		36							116
404	404		36							
SSG 3000	359				77					
Drilling 3000	130									46,50,109
Savage										
10, 11 Scout	231	34							97	45,50
99c	163	34								45,50
110, 112, 116	016	34		88,89	92	91	95	97		45,50
110 Accu Trigger	164	34					95	97	97	45,50
110 Accu Trigger SA	164/1	34					95	97		45,50
BBF M24 R 6.35	040				93					
Saxonia										
Sniper	189	34								45,50
Schultz & Larsen										
65 DL, 68 DL, M 100	099	34		88,89		91				45,50
K98	084	34		88,89	92	91				45,50
M97-DL	199	34		88,89		91	95			45,50
Schweizer Karabiner										
K31	073	34		87						45,50,87
Shilen										
	088	34								45,50
SIG										
98	252			74						
SIG Sauer										
siehe/see/voir Sauer										
Smith & Wesson										
1500	091	34		88,89	92	91				45,50
586 und ähnliche/and similar models/ et modèles similaires	703				93		95			

KK: Kleinkaliberwaffen/small calibre rifles/armes de petit calibre
BBF: Bockbüchsen/mixed barrel guns/fusils mixtes superposés
BDB: Bockdoppelbüchsen/over/under rifles/carabines superposées

Waffenkennziffern

numéros correspondant aux armes

	WKCZ	▲	◆	▲	▲	▲	▲	▲	▲	▲	▲
	Waffenkennziffern/reference Nos. of rifles/ numéros correspondant. aux armes	Schwenkmontagen/pivot mounts/ levier/montages pivotants	Hebelschwenkmontagen/pivot mounts with levier/montages pivotants à levier	Aufschub-/Aufklappmontagen/slide-on + roll-off mounts/ montages à glissière + basculants	11 mm-Sockelpaare + Schienen/pairs of sockets + rails/ paires de sockets + rails	16 mm-Sockelpaare + Schienen/pairs of sockets + rails/ paires de sockets + rails	Weaver-Sockelpaare + Schienen/pairs of sockets + rails/ paires de sockets + rails	Picatinny-Schienen/rails/rails	Picatinny-Schienen/pairs of sockets + rails/ paires de sockets + rails	Einzelteile/single parts/ pièces détachées	
Steyr / Steyr Mannlicher											
Police I + II	033	34		80-83							46,50
SBS-96 Export S, Pro Hunter S	302	34		88,89	92	91					46,50
SBS-96 Export SL	402	34		88,89	92						46,50
SBS-96 L Classic, Pro Hunter L/M, SM 12	202	34,38		88,89	92,93	91	95	98	98		46,50
Scout	176		36								46,50
Sportler, SSG 69	033	34		80-83							46,50
Tactical	177			80-83							
Jagdmatch L/SL	018	34		88,89	92		95				46,50
S, SBS 96L, SBS 96S	018	34		88,89	92		95	98			46,50
L	093	34		88,89	92,93	91	9	98	98		46,50
Luxus	208	34									46,50
M, Luxus L/M/S	086	34		88,89	92	91		98	98		46,50
M72 L/M/S	019	34									46,50
Schönauer GK	034		36	87							46,50, 87,109
SL	017	34		88,89	92,93	91	95	98	98		46,50
Suhler											
Drilling	116										47, 52
Thompson											
22 Classic	185				93		95	98			46,51
Center TCR 83	113				93						
Tikka											
55, 65, 76, Model L/M	038	34		74,75,80-82							46,51
558, 595, 658, 690, Continental, Popular	138	34		74,75,80-82							46,51
BBF 412 S, 512, Italia	168										78
M 595 RH	538	34		74,75,80-82							46,51
M 695 RH	638	34		74,75,80-82							46,51
T3	238	34							98		46,51
Unique											
TGC	135	34									46
US											
M1 Carbine	067			87							87
Valmet											
412, S, Petra	068			78							
BBF	039										
Varberger											
717, 757, 777, Luxus	154	34		88,89	92	91					46,51
Verney-Carron											
Impact Auto, NT	405	34		88,89	92	91	95	98			46,51
Express	172										51
Impact LA	226	34					95	98	98		46,51
Voere											
2145 Titan II	045	34		88,89	92	91	95	98			46,51,109
2140 Titan I	020	34									46,51,109
2155, 2165 Kufstein	021	34		88,89	92	91					46,51
2175, STL 3	127	34			92						46,51
2185 Automat	141	34					95	98			46,51
3145 Titan Menor	061	34									46,51
LBW	264	34					95				46,51
Tirolerin	216	34	36								46,51
VEC91	134	34			92	91					46,51

Algemeines
General
Idées générales

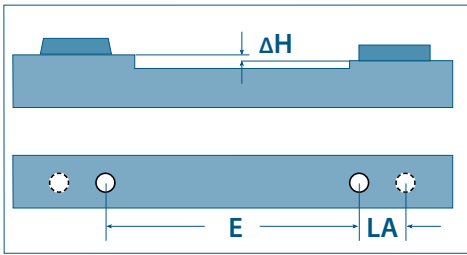
Schwenkmontagen
Pivot Mounts
Montages pivotants

Aufschub-/Aufklappmontagen
Slide-on/Roll-off Mounts
Montages à glissière/basculants

Einbaumontagen
Claw Mounts
Montages à crochets

Ersatzteile und Werkzeuge
Spare Parts and Tools
Pièces de rechange et outils

Tabelle Komplettmontagen, waffenspezifische Einzelteile, Table of Complete Mounts and Single Parts, Rifle Numbers Tableau des montages complets et pièces détachées spécifiques,



Waffenkennziffern/ référence Nos. of rifles/
numéros correspond. aux armes

Schwenkmontagen/ pivot mounts/ montages pivotants

Hebelschwenkmontagen/ pivot mounts with
lever/ montages pivotants à levier

Aufschub-/ Aufklappmontagen/ slide-on + roll-off mounts/
montages à glissière + basculants

11 mm-Sockelpaare + Schienen/ pairs of sockets + rails/
16 mm-Sockelpaare + Schienen/ pairs of sockets + rails

Weaver-Sockelpaare + Schienen/ pairs of sockets + rails/
Picatinny-Schienen/ rails/ rails

Picatinny-Schienen/ rails/ rails

Einzelteile/ single parts/
pièces détachées

	WKZ	-	◆							
Waldberg										
Doppelbüchse	170									46,51
Weatherby										
Europe, Mark V, Vanguard	023	34		88,89	92	91	95	98	98	46,51
Junior	058	34								46,51
Mark V Ultralight	058	34								46,51
Weihrauch										
HW 60, HW 66	153	34								46,51
LG	052			75						
LG 13/14 mm Prisma/13/14 mm dovetail/ queue d'aronde de 13/14 mm	053			75						75
Winchester										
777	072	34		88,89	92	91				46,51
100, 88	025	34					95	98		46,51
223 WSSM	117	34		88,89	92	91				46,51
770, 70 Long, Short, Standard, Target (LA = 21,9)	024	34	36	88,89	92	91	95	98		46,51
70 Magnum (LA = 11 mm)	029	34		88,89	92	91				46,51
70 XTR (LA = 8,9 mm)	085	34,38			92		95	98		46,51
94	030			87-89	92	91	95			84
SXR Vulcan	003	34		88,89	92		95	98	98	46,51
XPR	235	34						98	98	46,51
Zanardini										
BBF	148							98	98	
Zastava										
M 70	049	34		88,89	92	91				46,51
Mini Mauser	107	34								46,51
Zoli										
BBF SP 90-95	092			78			95	97		
1900 Batue, Taiga	305	34		88,89	92	91	95	98	98	43,48
Drilling	132									46,50

Allgemeines
General
Idées générales

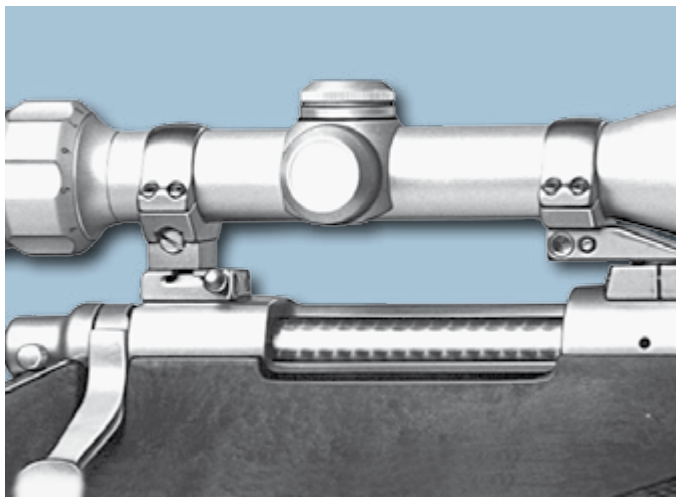
Schwenkmontagen
Pivot Mounts
Montages pivotants

Aufschub-/ Aufklappmontagen
Slide-on/Roll-off Mounts
Montages à glissière/basculants

Einhakmontagen
Claw Mounts
Montages à crochets

Ersatzteile und Werkzeuge
Spare Parts and Tools
Pièces de rechange et outils

KK: Kleinkaliberwaffen/small calibre rifles/armes de petit calibre
BBF: Bockbüchsen/mixed barrel guns/fusils mixtes superposés
BDB: Bockdoppelbüchsen/over/under rifles/carabines superposées



„Stainless Look“

Für Liebhaber von Stainless-Waffen sind alle Montagen gegen Aufpreis in einer hochwertig vernickelten Ausführung („Stainless Look“) erhältlich.

“Stainless Look“

Those who favour stainless rifles can have all mounts and parts furnished with a high-quality nickel coating (“stainless look“) at an extra charge.

«Aspect inoxydable»

Comme souhaité par les amateurs des armes inox, tout montage est livrable aussi en version nickelée de première qualité («aspect inox») sur demande, moyennant un supplément.



EAW-Montagen mit mattierter Oberfläche

Auf Wunsch sind alle EAW-Montagen gegen Aufpreis mit mattierter Oberfläche erhältlich. Damit passt sich das Design an die Oberfläche der modernen Zielfernrohre an.

EAW Mounts with Matt Finish

All EAW mounts are now also available matted at an extra charge, to blend perfectly with the finish of modern scopes.

Montages EAW en finition mate

Tous les montages EAW sont maintenant disponibles aussi en finition mate, moyennant un supplément, pour s'accorder bien aux lunettes récentes.

Wofür wir stehen What We Stand for L'essentiel en point de mire

Die Zielfernrohrmontage ist für die Schussleistung entscheidend, denn sie verbindet Waffe und Zieloptik zu einer Einheit.

Schussfestigkeit

Zwei Faktoren sind dabei wesentlich: zum einen die mechanische Stabilität aller Montageteile (immerhin wirken beim Schuss am Zielfernrohr schon bei mittelschwerer Ausrüstung Kräfte zwischen 300 und 600 kg), zum anderen absolute Spannungsfreiheit an der Montage als Voraussetzung für eine konstante Schussleistung. EAW-Präzisions-Zielfernrohrmontagen erfüllen diese Anforderungen. Beste Materialien, höchste Präzision in der Fertigung und nicht zuletzt ausgereifte Konstruktionen mit vielen Einstellmöglichkeiten, die ein einfaches Montieren ermöglichen, machen sie zu unnachahmlich zuverlässigen und komfortablen Produkten, die sich in allen Situationen bestens bewähren. Nicht allein die EAW-Schwenkmontagen, sondern auch viele unserer Aufschub- und Aufklippmontagen erlauben es, die Zieloptik beliebig oft ohne jegliche Treffpunktverlagerung abzunehmen. Dank des Baukastensystemes lassen sich Zweitmontagen zur Verwendung mehrerer Zielgeräte auf einer Waffe problemlos realisieren.

30 Jahre Garantie

Von der Qualität unserer Produkte „made in Germany“ sind wir selbst so überzeugt, daß wir auf alle Montagen und -teile eine Garantie von 30 Jahren gewähren (gemäß unserer Garantiebedingungen). Dafür steht unser Logo auf allen relevanten Montagekomponenten.

Umweltschutz

Gerade so wie dem Jäger die Bewahrung von Flora und Fauna am Herzen liegt, möchten auch wir unseren Beitrag zum Erhalt einer intakten Umwelt leisten: so sind unsere extrem langlebigen Produkte noch nach Jahrzehnten problemlos erweiterbar. Selbstverständlich sorgen wir, auch im Interesse unserer Mitarbeiter, für beste Produktionsbedingungen, verwenden umweltverträgliche Materialien und Betriebsstoffe und führen alle Abfälle einer verantwortungsvollen Verwertung oder Entsorgung zu.

The scope mount is vital for the shooting performance, because it makes one entity out of rifle and scope.

Shooting Stability

Therefore, all components of the mount need to be of optimum mechanical stability, as between 300 and 600 kilogrammes tear at the scope when a shot is fired, even in case of a medium-sized rifle and scope. And only complete absence of tension in the mount will ensure a constant centre point. EAW scope mounts meet all these requirements thanks to premium materials, high-precision manufacturing, and well-engineered constructions with many possibilities for adjustment, allowing for an easy mounting. These reliable and convenient products are up to any challenge.

Using EAW pivot mounts or certain EAW slide-on or roll-off mounts, the shooter may take the scope off the rifle and put it on again at will without any loss of zero. Modular secondary mounts make it possible to fit one rifle with several scopes or sights.

30 Years' Guarantee

Being utterly convinced of the product quality "made in Germany", we give a 30 years' warranty on all mounts and parts (according to our terms of warranty). The EAW logo, that is applied to all essential mounting components, stands for our commitment.

Environment Protection

We join forces with hunters, who are dedicated to the preservation of nature, by providing durable products that may be complemented without any problem even decades after purchase. It is understood that we do, first and foremost to the benefit of our staff, see to best production conditions, use environmentally sound materials and utilities, and have all wastes recycled or disposed of with reasonable care.

C'est le montage de lunette de visée qui est crucial pour la performance de tir, car il relie carabine et lunette de manière à en créer un ensemble puissant.

Haute stabilité lors du tir

Les deux facteurs décisifs en sont d'abord l'excellente stabilité mécanique de tous les composants de montage, vu qu' environ 300 et 600 kilos agissent sur la lunette à la suite du tir, même en cas de carabine et lunette pas très lourdes, et puis l'absence absolue de tension dans le montage comme condition indispensable d'une précision au tir constante.

Les montages de précision EAW remplissent bien ces exigences grâce à de matériaux de toute première qualité, fabrication précise, et constructions bien réfléchies qui offrent maintes possibilités d'ajustage et sont faciles à monter. Singulièrement fiables et confortables, ils sont à la hauteur de tout challenge.

Non seulement les montages pivotants, mais aussi certains montages basculants ou à glissière EAW permettent au tireur d'enlever et remettre la lunette à volonté sans aucun changement d'impact. Pour des optiques additionnelles, de montages secondaires sont faisables sans problème à partir du système modulaire EAW.

Garantie de 30 ans

Absolument convaincus de la qualité de nos produits en provenance d'Allemagne, nous accordons une garantie de 30 ans sur notre gamme entière (conformément aux conditions de garantie EAW). Le logo EAW, qui se trouve sur toutes les pièces principales, en fait signe.

Protection de l'environnement

Tout comme les chasseurs, nous aussi nous engageons pour la protection de l'environnement, en fournissant des produits extrêmement durables et qui se laissent compléter sans problème encore des décennies après l'achat. Bien entendu, nous maintenons, tout d'abord dans l'intérêt de notre personnel, des conditions de production optimales, nous servons de matières premières et consommables non-polluantes, et assurons le recyclage ou l'élimination adéquats des déchets.

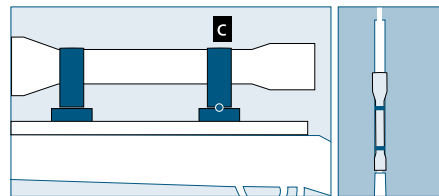
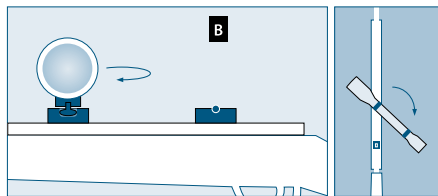
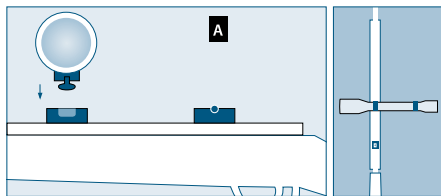
Schwenkmontagen
Pivot Mounts
Montages pivotants



Allgemeines zu EAW-Schwenkmontagen

General Information on EAW Pivot Mounts

Montages pivotants EAW: idées générales



Alle Montagetypen von EAW sind gut durchdacht und von höchster Qualität. Dennoch stellen wir für die unterschiedlichen Ansprüche unserer Kunden Lösungen bereit.

So konstruierte EAW bereits vor 50 Jahren die erste Schwenkmontage und entwickelt sie stetig weiter. Ihre vielen Vorteile haben sie zum beliebtesten Montagetypp gemacht, der auch gerne von anderen Herstellern übernommen wurde. Die EAW-Schwenk- und Hebelschwenkmontagen sind so ausgelegt, dass sie auch unter härtesten Belastungen stets absolute Treffergenauigkeit der Waffe gewährleisten.

Einige der Vorteile:

- Zielfernrohr mit einer Hand leicht aufsetz- und abnehmbar, da **bei unserer Schwenkmontage der Hinterfuß selbstständig in das Schlösschen einrastet**; bei unserer Hebelschwenkmontage ist lediglich ein Hebelchen umzulegen
- Vorder- und Hinterfußpassung ein- und nachstellbar
- großer Scherquerschnitt des Vorderfußes (ca. 3-fach gegenüber Einhakmontage); dadurch wird ein Verkanten verhindert
- horizontale Verstellung mittels EAW-Niederzugsupport
- vertikale Verstellung durch einfaches Auswechseln des Hinterfuß-Unterteiles in Stufen 0,5 mm möglich
- vertikaler Toleranzausgleich bei evtl. vorhandenen Toleranzen an der Waffe durch verstellbaren Vorderfuß
- gleichbleibende Trefferlage durch absolute Spannungsfreiheit des Zielfernrohres auch nach wiederholtem Auf- und Absetzen
- ideal für Zweitgläser

All types of EAW mounts are well-engineered and of highest quality. Nevertheless, we offer solutions which meet all the diverse requirements of our customers.

More than 40 years ago EAW designed the first pivot mount and have been working steadily on its further development ever since. Numerous advances have made it the most successful mount of this type, which has also been adopted by other manufacturers. The EAW pivot mounts and pivot mounts with lever are designed in such a way as to always guarantee absolute shooting precision of the rifle, even under hardest conditions.

Some Advantages:

- easy mounting and dismounting of the scope with one hand, because **the sub-base of the rear foot snaps into the lock automatically**. When using a pivot mount with lever, you only have to turn the lever
- adjustable fit of front foot and rear foot
- large shear cross-section of the front foot (approx. 3 times larger than that of the claw mount), which prevents jamming
- horizontal adjustment by means of the EAW pulling-down support
- vertical adjustment by exchange of the rear sub-base (available in height steps of 0.5 mm)
- adjustment of vertical tolerances by means of a joint in the front foot
- constant centre point due to totally tension-free fit of the scope, even if it is taken off the rifle and put on again frequently
- ideal for secondary scopes

Tous les types de montages EAW sont bien réfléchis et de meilleure qualité. Cependant, nous offrons des solutions satisfaisant aux exigences les plus divers de nos clients.

Il y a plus de 40 ans, EAW avait construit le premier montage pivotant, et l'a développé continuellement dès lors. Ce sont les nombreux avantages qui l'ont fait le type de montage le plus populaire, aussi adapté par d'autres fabricants. Les montages pivotants et montages pivotants à levier EAW sont conçus de telle manière qu'ils garantissent toujours une précision au tir parfaite de l'arme, même dans des conditions très difficiles.

Quelques avantages:

- la lunette peut être montée et démontée facilement d'une seule main, puisque **la partie inférieure du pied arrière du montage pivotant s'enclenche automatiquement dans la serrure**; pour le montage pivotant à levier, il n'y a qu'à actionner le levier
- pieds avant et arrière réglables et ajustables
- grande section de cisaillement du pied avant (environ le triple de celle du montage à crochets), qui empêche un calage
- réglage horizontal à l'aide du support arrière (avec serrage sur chanfrein EAW)
- hauteur variable grâce à l'interchangeabilité de la partie inférieure du pied arrière (disponible dans des pas de 0,5 mm)
- compensation des tolérances verticales grâce à la jointure dans le pied avant
- la pose de la lunette sans aucune tension garantit une précision au tir constante, même après montage et démontage répétés de la lunette
- idéal pour des lunettes secondaires

Besonderheiten bei Hebelschwenkmontagen

Special Features of Pivot Mounts with Lever

Montages pivotants à levier: particularités



EAW entwickelte die Hebelschwenkmontage speziell für Kipplaufwaffen. Der Montageverschluss sitzt nicht auf der Waffe, sondern ist am Zielfernrohr angebracht. Damit ist eine niedrige Montagehöhe gewährleistet.

EAW have developed the pivot mount with lever for break-open rifles. Its lock is not installed on the rifle but is fixed at the scope, so that the foot plates are flush with the barrel rib.

EAW a développé le montage pivotant à levier pour les carabines à canon basculant. Son verrou n'est pas situé sur la carabine, mais fixé à la lunette de visée, ce qui permet un placement très bas des embases, qui peuvent être abaissées jusqu'au niveau de la bande du canon.

Einige Vorteile:

- stabile, zuverlässige Bauweise für optimale Wiederholgenauigkeit beim Wiederaufsetzen des Zielfernrohres (die DEVA stellte bereits 1979 unter Beweis, dass dieser Montage-Typ größten Belastungen standhält: 10.000 Schuss ergaben 100-%ige Trefferlage nach wiederholtem Aufsetzen und Abnehmen des Glases)
- niedrigste Anordnung der Montageplatten bis Laufschienehöhe ermöglichen Zielen über die offene Visierung
- Hinterfüße mit Support
- austauschbare Hinterfuß-Ober- und Unterteile in verschiedenen Bauhöhen
- **Waffen mit Einhakmontagen können einfach auf eine Hebelschwenkmontage umgerüstet werden, wobei an der Waffe keine oder nur geringe Änderungen vorgenommen werden müssen (siehe S. 106)**
- Einzelteile für Zweitmontage erhältlich
- kein Festschießen des Verschlusses
- elegantes Erscheinungsbild

Some Advantages:

- **reliable and stable design which guarantees optimal repeatability of zero when the scope is being replaced repeatedly (the DEVA [German Research Institute for Hunting and Sporting Arms] already proved in 1979 that this type of mount has the best resistance to recoil at 10,000 shots, and repeated mounting and dismounting of the scope caused no loss of the rifle's zero)**
- **due to the low arrangement of the foot plates the open sights can be used after removal of the scope**
- **rear feet with windage adjustment (support)**
- **interchangeable rear tops and rear sub-bases in various heights**
- **claw mounts can be converted into pivot mounts with lever very easily and with few or no alterations to the rifle at all (see p. 106)**
- **single parts for secondary scopes are available**
- **no jamming of the lock**
- **elegant overall appearance**

Quelques avantages:

- **construction solide garantissant une précision au tir optimum après la remise en place de la lunette de visée (le DEVA [centre d'essai allemand pour des armes de chasse et de tir] a prouvé déjà en 1979 que ce type de montage résiste aux charges les plus grandes: 10.000 coups n'ont causé aucun changement d'impact même après montage et démontage fréquents de la lunette)**
- **grâce au placement bas des embases, la visée par hausse et guidon est possible après l'enlèvement de la lunette**
- **pieds arrière avec réglage latéral (support)**
- **parties supérieures et parties inférieures de pieds arrière interchangeables, disponibles en différentes hauteurs**
- **des montages à crochets peuvent être convertis en montages pivotants facilement et sans modifications importantes sur la carabine (voir p. 106)**
- **pour des lunettes secondaires, des pièces détachées sont disponibles**
- **pas de coincement du verrou**
- **apparence élégante**

Einstellbarer Hebel

Um die Toleranzen der Waffenprismen auszugleichen, besitzen ab sofort alle Hebelverschlüsse der Hebelschwenkmontage einen stufenlos einstellbaren Hebel (Ausnahme: Verschlüsse für Ruger). Er lässt sich auch einstellen, wenn die Montage bereits montiert ist.

Steplessly Adjustable Lever

The dovetails of the rifles often show considerable differences with regard to their width. For this reason, EAW have developed the steplessly variable lock lever (not available for Ruger rifles) which can be adjusted to the dovetail accurately, even if the mount has already been fitted.

Verrouillage à levier continu

Les queues d'aronde montrent souvent des tolérances considérables en ce qui concerne leur largeur. Pour cette raison, EAW a développé le verrouillage à levier continu qui permet d'adapter le verrou exactement à l'arme (non disponible pour les carabines Ruger). Cette adaptation est aussi possible au cas où le montage aurait déjà été installé.

Lieferbar für 11 mm-, 14,5 mm-, 16 mm und 19 mm-Waffenprisma.

Available for dovetails of 11 mm, 14.5 mm, 16 mm, and 19 mm width.

Disponible pour queues d'aronde larges de 11 mm, 14,5 mm, 16 mm et 19 mm.



Hebel in Offen-Stellung
lever in unlocking position
levier en position «ouvert»



Hebel in Verschlussstellung
lever in locking position
levier en position «fermé»

Montageanleitung Mounting Instructions Instructions de montage

für Schwenkmontagen mit verstellbaren EAW-Systemen, mit Ringen
for pivot mounts with the adjustable EAW systems, with rings
pour montages pivotants EAW avec dispositifs réglables, à colliers

A Die Brünerrückstände aus allen Montage-
teilen sorgfältig entfernen. Falls vorhanden, die
Brünierung an der waagrechten Anlagefläche
(Drehkranz) des Pivotzapfens entfernen (ideal
hierfür ist der Polisher, EAW-Nr. 22300 (☛ 121)).
Die Brünierung an den Klebeflächen der Platten
und Waffe entfernen und diese entfetten, die
Platten vormontieren (Vorderplatte erforderli-
chenfalls um 180° verdrehen) und ausrichten.

B Vor dem Einsetzen des Pivotfußes in die
Vorderplatte die entsprechenden Gleitflächen
mit einem (dickflüssigen) Öl versehen. (Spä-
ter von Zeit zu Zeit regelmäßig wiederholen.)
Vorderfuß in 6 einsetzen und durch Verdrehen
der Justierschraube 7 die Passung des Vorder-
fußes einstellen und mittels Konterschraube 71
sichern. Bei Kipplaufwaffen ist der Drehkranz
vorsichtig abzuschleifen. Die Gelenkschrauben
14 heraus-schrauben. Die Brünierung an den An-
lageflächen der Schraubenköpfe entfernen und
die Gelenkschrauben mit Gleitöl oder Gleitfett,
z. B. Molykote, einfetten. Die Gelenkschrauben
leicht anziehen.

C Beide Platten wieder entfernen, Kontaktflä-
chen nochmals gut entfetten und erneut auf-
schrauben. Durch zusätzliches Kleben oder Lö-
ten der Fußplatten die Schrauben 1 entlasten.
Die schraffierte Fläche, „X“ der Vorderplatte nicht
verkleben – siehe Zeichnung!

D Hinterfuß in 8 so einsetzen, daß seine Un-
terseite parallel zur Plattenoberseite und der
T-Zapfen in Nute 8 axial vermittelt ist. In dieser
Position Verschlussbolzenhebel 13 ca. 70° nach
oben stellen und durch Verdrehen des Stellbol-
zens 10 nach links (gegen den Uhrzeigersinn)
festklemmen.

E Ringoberteile 12 abnehmen, Zielfernrohr
einlegen, grob ausrichten, wieder abnehmen,
die Klemmflächen und die Innenseiten der Ringe
entfetten. Die unteren Ringhälften mit Klebstoff
versehen, Zielfernrohr endgültig einlegen und
während des Festschraubens ausrichten. Eine
gute Hilfe hierfür ist die EAW-Ausrichtvorrich-
tung (Bestell-Nr. 22100, S. 121). Die Schrauben
bitte maßvoll festziehen, so dass der Rohrkörper
nicht deformiert wird (max. 200 Ncm)!

F Gelenkschrauben 14 festziehen, Stellbolzen
10 langsam so weit zurückdrehen, bis der wäh-
renddessen nach unten gleitende Verschluss-
bolzenhebel 13 ca. 1 mm vor seiner Endlage
stehen bleibt. In dieser Position den Stellbolzen
10 durch Festziehen der Konterschraube 11 si-
chern.

**A Carefully remove all residues of blueing
from all mounting parts. Remove blueing
from the plane contact surface of the pivot
pin (our polisher, EAW ref. No. 22300
(☛ 121), is ideal for this purpose), and
equally from contact surfaces of bases and
weapon. Degrease contact faces, mount
bases provisionally (if necessary, turn
front base by 180°) and adjust them.**

**B Furnish the contact surfaces with a highly
viscous oil before inserting the pivot pin
into the front base. (Repeat this procedure
regularly during use of the mount.) Insert
front foot into 6. Adjust the fit of the front
foot by turning adjusting screw 7 and secure
it by tightening lock screw 71. In case of a
bolt action rifle, the plane contact surface of
the pivot has to be abraded carefully. Take
out swing bolts 14, remove blueing from
contact faces of the bolt heads and grease
swing bolts with sliding oil or grease, e. g.
molykote. Tighten them slightly.**

**C Remove both bases again, degrease
contact faces thoroughly and screw bases
on again. Relieve screws No. 1 by addition-
al pasting or soldering of the plates. Do
not paste or solder surface "X" of the front
base (see hatched surface in the drawing)!**

**D Insert rear foot into 8 and take care
that its bottom side comes parallel to
the top face of the base and the T-pin
into the middle of slot 8. In this position
turn breechblock lever 13 by approx. 70°
upwards and clamp it by turning set bolt
10 to the left (counter-clockwise).**

**E Remove rings tops 12, attach scope,
adjust it roughly. Remove scope again,
degrease clamp faces and insides of the
rings. Furnish the lower ring halves with
adhesive. Fit the scope for good and align it
whilst tightening 17. For an easy and exact
alignment the EAW aligning device, ref. No.
22100 (page 121), is ideal. Please tighten
the screws carefully, in order to avoid a
deformation of the tube (200 Ncm at most)!**

**F Tighten swing bolts 14. Carefully turn
set bolt 10 to the right until breechblock
lever 13, which meanwhile is sliding down-
wards, stops approx. 1 mm before its final
position. In this position secure set bolt 10
by tightening lock screw 11.**

**G Train and examine the fit of the feet by
pivoting the scope several times; on this**

A Soigneusement éliminer tous les reliquats
de bronzage de toutes les pièces de montage.
Éliminer le bronzage de la face de contact
plane du pivot (pour cela, notre polissoir, n° de
référence EAW 22300 (☛ 121), est l'outil idéal),
ainsi que des faces de contact des embases et de
l'arme. Dégraisser les faces de contact, monter
les embases provisoirement (si nécessaire,
tourner l'embase avant de 180°) et les aligner.

B Avant d'insérer le pivot dans l'embase
avant, garnir d'huile de viscosité les faces de
contact correspondantes. (Répéter cette action
régulièrement pendant l'usage du montage.)
Loger le pied avant dans 6. Régler l'ajustage du
pied avant en tournant la vis d'ajustage 7, et
consolider l'ajustement par la vis de blocage 71.
En cas d'une carabine à canon basculant, il faut
meuler doucement la face de contact plane du
pivot. Enlever les vis d'articulation 14. Éliminer
le bronzage des faces de contact des têtes de
vis et lubrifier les vis d'articulation par huile ou
graisse de glissement, p. ex. molykote. Les serrer
doucement.

C Enlever les deux embases, dégraisser encore
une fois les faces de contact et visser les embases
de nouveau. Décharger les vis 1 en collant ou
soudant les embases. Ne pas garnir de colle
la face «X» de l'embase avant – voir la partie
hachurée dans le dessin!

D Loger le pied avant dans 8 de manière à ce
que sa face inférieure soit parallèle à la face
supérieure de l'embase et que le tenon en T
soit centré axialement dans l'encoche 8. Faire
basculer le levier 13 d'environ 70° vers le haut
et le bloquer dans cette position en tournant la
goupille de réglage 10 à gauche (en sens inverse
des aiguilles d'une montre).

E Enlever les parties supérieures des colliers
12, placer la lunette et l'ajuster provisoirement.
Retirer la lunette, dégraisser les faces de serrage
et les faces inférieures des colliers. Garnir de
colle les parties inférieures des colliers, placer
définitivement la lunette et l'ajuster en vissant
17. Pour l'alignement exact et simple le dispositif
d'alignement EAW réf. 22100 (page 121) est
idéal. Serrer doucement les vis afin d'éviter toute
déformation du tube (200 Ncm au maximum)!

F Serrer les vis 14. Desserrer par la suite
doucement la goupille de réglage 10 jusqu'à
ce que le levier 13 se rabatte. Faire stopper le
levier 13 environ 1 mm avant la fin de course
et bloquer la goupille de réglage 10 dans cette
position en serrant la vis de blocage 11.



G Durch mehrmaliges Aus- und Einschwenken des Zielfernrohres die Fußpassungen gangbar machen und dabei die Passung des Vorderfußzapfens nochmals überprüfen bzw. mittels Justierschraube 7 genau einstellen und mit Konterschraube 71 sichern. Das Zielfernrohr muss sich ohne Kraftaufwand spannungsfrei bewegen und der Verschluss mit dem rechten Zeigefinger zum Ausschwenken öffnen lassen. Beim Einschwenken des Hinterfußes muss sich der Verschluss selbsttätig öffnen und schließen. Sollte der Hebel 13 ganz nach unten gleiten, erneut Stellbolzen 10 gegen den Uhrzeigersinn nachstellen.

H Alle Schrauben nochmals auf festen Sitz überprüfen und die Passstellen leicht einfetten. Klebungen gut aushärten lassen. Nach den ersten Probeschüssen kontrollieren, ob Hebel 13 noch 0,5–1 mm vor der Endlage stehen bleibt. Erforderlichenfalls nachjustieren.

BITTE BEACHTEN: Um eine einwandfreie Funktion der EAW-Montage zu gewährleisten, muss sich das Zielfernrohr ohne großen Kraftaufwand einschwenken lassen. Der Hinterfuß soll zügig ins Drehbolzenschlösschen eingeschwenkt werden, wobei sich durch die Technik des EAW-Drehbolzenverschlusses ein kleiner Lichtspalt zwischen Hinterfuß und Schlossoberfläche ergibt (im Gegensatz zur Einhakmontage). Die Montage muß absolut spannungsfrei sitzen! Nur so ist eine gute Schussleistung zu erwarten.

Wir empfehlen, das Montieren von einem Büchsenmacher vornehmen zu lassen.

occasion check once again the fit of the pin of the front foot, resp. adjust it exactly by means of adjusting screw 7 and secure it with lock screw 71. The scope must be movable tensionfree without any force, and for the purpose of pivoting, it must be possible to open the breechblock with the right forefinger. When the rear foot clicks into place, the breechblock must open and close automatically. Should lever 13 slide completely downwards, once again adjust set bolt 10 counter-clockwise.

H Examine if all screws fit tightly. Lightly lubricate the moving parts. Adhesive must be well-hardened. After the first trial shots check whether lever 13 still stops approx. 0.5 to 1 mm before its final position. If necessary, adjust it again.

Please note: To guarantee a faultless functioning of the EAW mount, it must be possible to swivel the scope without exerting any force. The rear foot should be pivoted easily into the breechblock. Due to the technical features of the EAW breechblock there is a small light gap between the rear foot and the upper surface of the rear base (contrary to the claw mount). The mount must fit absolutely tensionfree! Only then a good shooting performance can be expected.

We recommend that the mount is fitted by a professional gunsmith.

G Rendre souples les ajustages des pieds en pivotant la lunette plusieurs fois, vérifier l'ajustage du pivot du pied avant et, le cas échéant, le réajuster par la vis d'ajustage 7 et consolider l'ajustement par la vis de blocage 71. Le pivotement de la lunette doit se faire en souplesse et sans aucune de tension. Servez-vous de l'index droit pour ouvrir le verrou et faites pivoter la lunette. Lors de l'enclenchement du pied arrière, le verrou doit s'ouvrir et se fermer automatiquement. Si le levier 13 descend jusqu'au fond, il faut réajuster la goupille 10 en la tournant en sens inverse des aiguilles d'une montre.

H Vérifier le serrage des vis et lubrifier légèrement les pièces d'ajustage. Faire durcir la colle appliquée. Après avoir tiré les premiers coups, vérifier si le levier 13 s'arrête toujours 0,5 à 1 mm avant la fin de course. Le réajuster, si nécessaire.

Attention: Le bon fonctionnement du montage EAW n'est assuré que si la lunette se fait pivoter avec souplesse. Faites enclencher rapidement le pied arrière dans la serrure. Contrairement au montage à crochets, il reste une petite fente lumineuse entre la face supérieure de l'embase arrière et le pied arrière - la technique du système de verrouillage EAW étant la cause de ce phénomène. L'absence absolue de tension est indispensable pour obtenir une précision de tir optimale.

Recommendation: Le montage doit être effectué par un armurier professionnel.

Schrauben und Ersatzteile für Modell 300 siehe Seite 116/117

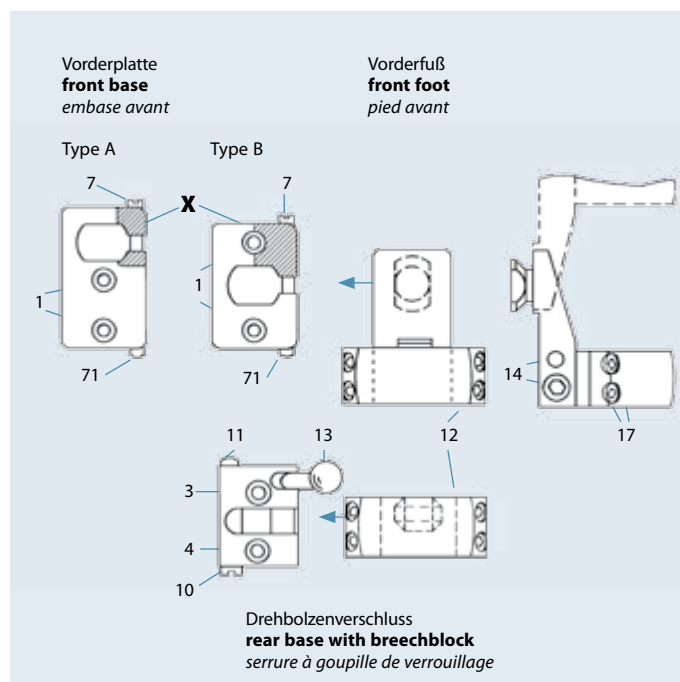
Screws and spare parts for model 300 are listed on page 116/117.

Vis et pièces de rechange pour modèle 300 sont listées à la page 116/117.

- 1 Befestigungsschrauben gem. Schraubenliste je nach Waffe
- 7 Justierschraube
- 71 Konterschraube
- 10 Stellbolzen
- 11 Konterschraube
- 13 Verschlussbolzen - Hebel - Feder
- 14 Gelenkschraube
- 17 Ringklemmschraube mit Innensechskant

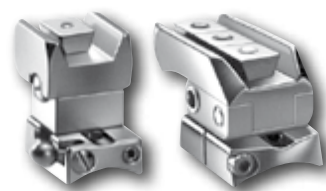
- 1–4 **set screws as per list of screws, depending on the type of weapon**
- 7 **adjusting screw**
- 71 **lock screw**
- 10 **set bolt**
- 11 **lock screw**
- 13 **breechblock - lever - spring**
- 14 **swing bolt**
- 17 **ring clamping screw (Allen)**

- 1–4 *vis de fixation, en fonction de l'arme utilisée, voir chapitre «vis»*
- 7 *vis d'ajustage*
- 71 *vis de blocage*
- 10 *goupille de réglage*
- 11 *vis de blocage*
- 13 *goupille de verrouillage - levier - ressort*
- 14 *vis d'articulation*
- 17 *vis de serrage de collier (Allen)*




Montageanleitung Mounting Instructions Instructions de montage

for pivot mounts with the adjustable EAW systems – for scopes with mounting rail



General Information

A Carefully remove all residues of blueing from all mounting parts. Remove blueing from the plane contact surface of the pivot pin (our polisher, EAW ref. No. 22300  121, is ideal for this purpose), and equally from contact surfaces of bases and weapon. Degrease contact faces, mount bases provisionally (if necessary, turn front base by 180°) and adjust them.

B Furnish the contact surfaces with a highly viscous oil before inserting the pivot pin into the front base. (Repeat this procedure regularly during use of the mount.) Insert front foot into 6. Adjust the fit of the front foot by turning adjusting screw 7 and secure it by tightening lock screw 71. In case of a bolt action rifle, the plane contact surface of the pivot has to be abraded carefully. Take out swing bolts 14, remove blueing from contact faces of the bolt heads and grease swing bolts with sliding oil or grease, e. g. molykote. Tighten them slightly.

C Remove both bases again, degrease contact faces thoroughly and screw bases on again. Relieve screws No. 1 by additional pasting or soldering of the plates. Do not paste or solder surface "X" of the front base (see hatched surface in the drawing)!

Standard Rail



D Take out cross screws 9, fit mounting rail of the scope into top of front foot. Insert front foot into front base and adjust scope to the best possible eye relief. Drill mounting rail at the locations of screw holes 9 by means of a \varnothing 3.5 mm twist drill (do not drill through to the mounting rail thread), put screws 9 back in and tighten them.

E Fit rear foot onto middle tube rail and move it to a position that the T-pin comes axially into the middle of slot 8. In this position drill mounting rail and insert screw 9 as described under D. Ensure that the bottom side of the rear foot comes parallel to the upper side of the rear base (lock).

Zeiss VM/ZM, Docter



with straight front foot:

D Take out swing bolts 14 and disassemble front foot. Insert clamping blocks 16 into rail of scope and fix top of front foot by means of screws 19 in a way that it can still be moved. Assemble front foot again and tighten swing bolts 14 slightly.

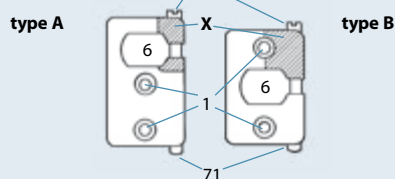
with extended front foot:

D Insert clamping blocks 16 into rail of scope and fix front foot by means of screws 19 in a way that it can still be moved.

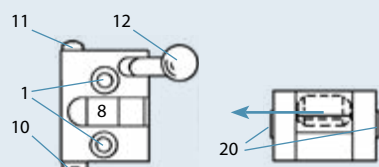
Insert front foot into front base and adjust scope to the best possible eye relief. Take off scope together with the front foot without shifting it. Tighten screws 19 with 10 Nm (for this purpose, a straight front foot has to be disassembled again).

E Move rear foot to a position that the T-pin comes axially into the middle of slot 8. Take off scope without shifting rear foot, and tighten screw 19. Ensure that the bottom side of the rear foot comes parallel to the upper side of the rear base (lock).

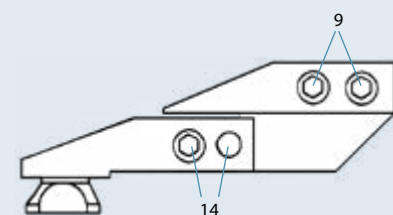
adjustable front bases



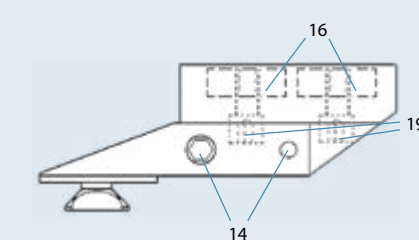
rear base with adjustable breechblock



front foot



front foot





Swarovski SR



with straight front foot:

D Take out swing bolts 14 and disassemble front foot. Insert clamping blocks 17 into rail of scope.

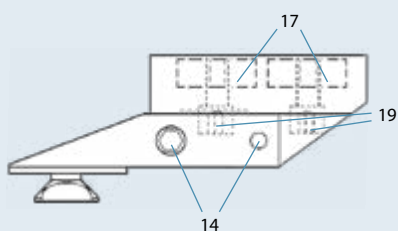
Mount front foot by means of one swing bolt 14, insert it into front base and adjust scope to the best possible eye relief. The toothed plate must have been inserted into the front foot. Take off scope together with the front foot without shifting it, and tighten rear clamping block. Remove top of front foot and tighten second clamping block. Assemble front foot again and tighten swing bolts 14 slightly.

with extended front foot:

D Insert clamping blocks 17 into rail of scope and adjust scope to the best possible eye relief. The toothed plate must have been inserted into the front foot. Take off scope together with the front foot without shifting it, and tighten both clamping blocks with 10 Nm.

E Move rear foot to a position that the T-pin comes axially into the middle of slot 8. Take off scope without shifting rear foot, and tighten screw 19. Ensure that the bottom side of the rear foot comes parallel to the upper side of the rear base (lock).

front foot



Schmidt & Bender Convex



Please note: The feather key which has been inserted into the front foot can be removed for the purpose of aligning the scope, if necessary.

with straight front foot:

D Take out swing bolts 14 and disassemble front foot. Insert clamping blocks 18 into rail of scope and fix top of front foot by means of screws 19 in a way that it can still be moved.

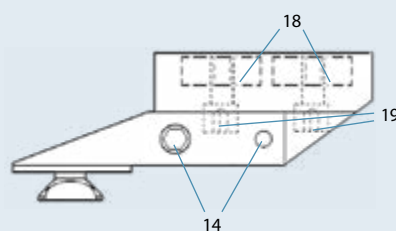
Mount front foot by means of one swing bolt 14, insert it into the front base and adjust scope to the best possible eye relief. Take off scope together with the front foot without shifting it. Remove top of front foot and tighten screws 19 with 10 Nm. Assemble front foot again and tighten swing bolts 14 slightly.

with extended front foot:

D Insert clamping blocks 18 into rail of scope and fix front foot by means of screws 19 in a way that it can still be moved. Insert front foot into front base and adjust scope to the best possible eye relief. Take off scope together with front foot without shifting it. Tighten screws 19 with 10 Nm.

E Move rear foot to a position that the T-pin comes axially into the middle of slot 8. Take off scope without shifting rear foot, and tighten screw 19. Ensure that the bottom side of the rear foot comes parallel to the upper side of the rear base (lock).

front foot



F Set up scope again, turn breechblock lever 12 by approx. 70° upwards and clamp it tightly by turning set bolt 10 to the left (counter-clockwise). Tighten swing bolts 14 (pasting is not necessary!). Carefully turn set bolt 10 to the right until breechblock lever 12, which meanwhile is sliding downwards, stops approx. 1 mm before its final position. In this position secure set bolt 10 by tightening lock screw 11.

G Align scope by means of support screws 20 and tighten both of them. Train and examine the fit of the feet by pivoting the scope several times; on this occasion once again check the fit of the pin of the front foot, resp. adjust it exactly by means of adjusting screw 7 and secure it with lock screw 71.

The scope must be movable tension-free without any force, and for the purpose of pivoting, it must be possible to open the breechblock with the right forefinger. When the rear foot clicks into place, the breechblock must open and close automatically. Should lever 12 slide completely downwards, once again adjust set bolt 10 counter-clockwise.



Examine if all screws fit tightly. Lightly lubricate the moving parts. Adhesive must be well-hardened. After the first trial shots check whether lever 12 still stops approx. 0.5 to 1 mm before its final position. If necessary, adjust it again.

Please Note: To guarantee a faultless functioning of the EAW mount, it must be possible to swivel the scope without exerting any force. The rear foot should be pivoted easily into the breechblock. Due to the technical features of the EAW breechblock, there is a small light gap between the rear foot and the upper surface of the rear base (lock) – contrary to the claw mount. The mount must fit absolutely tensionfree! Pressing down lever 12 manually might have a negative effect on the shooting performance.

EAW-Schwenkmontagen – Ein Baukastensystem

EAW Pivot Mounts – A Building Block System

Montages pivotants EAW – un système modulaire

	WT = Waffentyp/type of rifle/type d'arme
	Repetierer/bolt action rifles/ carabines à répétition
	Kipplaufwaffen/break-open rifles/carabines à canon basculant

Die EAW-Schwenk- und Hebelschwenkmontagen sind ein durchdachtes System aus Einzelkomponenten, die sich für jeden Einsatzzweck perfekt zusammenstellen lassen.

Dem Schaubild können Sie entnehmen, welche Teile Sie wo im Katalog finden. Sollten Sie einen Repetierer bestücken wollen, können Sie eine Komplettmontage aus einer Liste nach Ihren Anforderungen auswählen. Da sich Kipplaufwaffen nicht so leicht kategorisieren lassen, werden hierfür die Montagen immer aus Einzelteilen zusammengestellt.

The EAW pivot mounts and pivot mounts with lever are a well-engineered system composed of single parts which can be assembled depending on the application.

From the table you will see where to find these parts in the catalogue. If you require a mount for a bolt action rifle, you can easily choose a complete mount from a table according to make and model of the rifle.

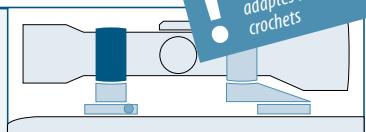
Since it is not so easy to categorize break-open rifles, the mounts for these rifles have to be ordered as single parts.

Les montages pivotants et montages pivotants à levier EAW représentent un système bien réfléchi composé de pièces détachées lesquelles peuvent être assemblées selon l'emploi.



Veillez consulter les tableaux pour savoir sur quelle page se trouvent les pièces adéquates. Si vous êtes intéressé par un montage pour une carabine à répétition, vous pouvez choisir d'une liste un montage complet selon vos exigences.

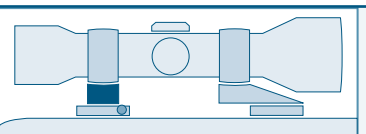
Etant donné qu'il n'est pas si facile de catégoriser les carabines à répétition, il faut commander, pour elles, des montages en pièces détachées.

auch für Einhakmontagen
also for claw mounts
adaptés aux montages à
crochets


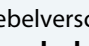


Hinterfuß-Oberteil/rear foot top/partie supérieure de pied arrière


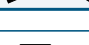
WT	S./pg./pg.
	62-63
	

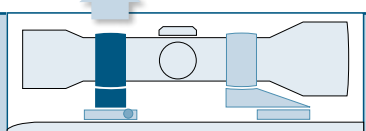


Hinterfuß-Unterteil/rear foot sub-base/partie inférieure de pied arrière



WT	S./pg./pg.
	64
	

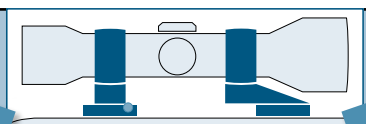
Hebelverschluss lever lock verrouillage à levier

WT	S./pg./pg.
	64
	

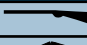



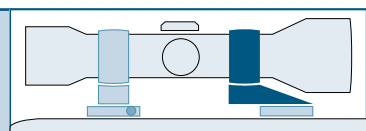
Hinterfuß/rear foot/pied arrière

WT	S./pg./pg.
	58-61
	





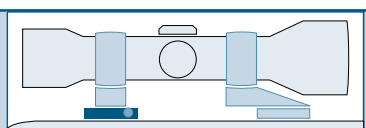
Komplettmontage/complete mount/montage complet

WT	S./pg./pg.
	34-35
	36-37





Vorderfuß/front foot/pied avant



WT	S./pg./pg.
	53-57
	

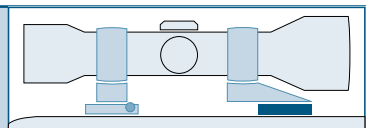


Schlösschen/rear base/serrure


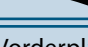
WT	S./pg./pg.
	48-51
	

Hinterplatte/rear plate/embase-socle arrière



WT	S./pg./pg.
	48-52
	



Vorderplatte/front base/embase avant

WT	S./pg./pg.
	43-46
	

Vorderplatte/front base/embase avant

WT	S./pg./pg.
	47
	

Allgemeines
General
Idées générales

Schwenkmontagen
Pivot Mounts
Montages pivotants

Aufschub-/Aufklappmontagen
Slide-on/Roll-off Mounts
Montages à glissière/basculants

Einhakmontagen
Claw Mounts
Montages à crochets

Ersatzteile und Werkzeuge
Spare Parts and Tools
Pièces de rechange et outils

Welche Schwenkmontage brauche ich?

Which Pivot Mount Do I Need?

Comment choisir un montage pivotant



Mit Hilfe folgender Liste finden Sie die passende EAW-Schwenkmontage und können mit den Angaben auf den nächsten Seiten die richtige Bestellnummer generieren.

1. EAW-Schwenkmontage

Für nahezu alle Repetierer gibt es die passende EAW-Schwenkmontage mit automatisch verriegelndem Verschluss. Einige Waffen müssen mit EAW-Hebelschwenkmontagen montiert werden. Kombinierte Waffen benötigen eine EAW-Hebelschwenkmontage. Für einige Waffen gibt es komplette Sets (☛ 36), für die meisten Waffen ist die Montage in Einzelteilen zu bestellen.

2. Zielfernrohr

Für alle Zielfernrohre mit oder ohne Schiene gibt es geeignete EAW-Schwenkmontagen.

3. Ausführung Standard - Magnum - XS

Welche Ausführung benötigt wird, hängt ab von Kaliber, Gewicht des Zielfernrohres und der Waffe, ggf. von der Konstruktion des Zielfernrohres (Richtwerte hierzu finden Sie auf Seite 34)

4. Bauhöhe

In der Tabelle auf Seite 35 sind Richtwerte zu finden, welches Objektivrohr-Außendurchmesser welche Bauhöhe benötigt.

5. Kröpfung

Der Augenabstand erfordert das Montieren des Zielfernrohres in einer bestimmten Position. Entsprechend müssen gerade oder gekröpfte Montagen verwendet werden. Bei bestimmten Konstellationen oder Zielfernrohren kann ein gekröpfter Hinterfuß erforderlich sein. In diesem Fall ist die Montage in Einzelteilen zu bestellen.

6. Waffe

Bitte entnehmen Sie der Waffenliste auf den Seiten 10 - 19 die dreistellige Waffenkennziffer (WKZ) Ihrer Waffe und setzen Sie diese in die Bestellnummer an der vorgesehenen Stelle ein.

By means of the below list you can find the appropriate EAW pivot mounts and determine the full part number according to the information given on the following pages.

1. EAW Pivot Mount

For almost all bolt-actions rifles, there are matching EAW pivot mounts with an automatic lock. For some rifles, however, only an EAW pivot mount with lever is possible. Combination rifles require an EAW pivot mount with lever. For some rifles, we offer complete mounts (☛ 36), but in most cases single parts have to be ordered.

2. Scope

There are suitable mounts for any scope, may it be with or without rail.

3. Standard - Magnum - XS Version

Which version is the best one depends on the calibre of the rifle, the weights of rifle and scope, and, as may be the case, also from the construction of the scope (see page 34 for details).

4. Height

From the table on page 35 you will see which outer objective bell diameter requires which mounting height.

5. Extension

In order to have a good eye relief, the scope has to be positioned on the rifle precisely by use of either a straight or an extended mount. Certain configurations or scopes may require an extended rear foot. In such case, the mount has to be assembled from single parts.

6. Rifle

The three-digit reference number of rifle may be looked up in the tables on pages 10 to 19 and inserted into the part number where indicated.

La liste ci-dessous vous permettra de trouver le bon montage pivotant EAW et d'en déterminer la référence à l'aide des précisions données par la suite (voir aussi les pages suivantes).

1. Montage pivotant EAW

Pour presque toute carabine de répétition, il y a un montage pivotant EAW avec verrouillage automatique. Cependant, certaines en nécessitent un montage pivotant à levier EAW. Pour les carabines combinées, il faut utiliser un montage pivotant à levier. Il y a quelques montages pivotants à leviers complets (☛ 36), mais dans la plupart des cas les montages doivent être commandés en pièces détachées.

2. Lunette de visée

Soit une lunette sans ou avec rail, il y a des montages pivotants EAW pour toutes.

3. Versions standard - Magnum - XS

Ce sont le calibre de carabine, les poids de carabine et lunette et, éventuellement, la construction de lunette (voir les précisions à la page 34) qui déterminent la choix de la version de montage)

4. Hauteur

Le tableau à la page 35 montre quelle hauteur de montage choisir pour quel diamètre d'objectif.

5. Coude

Afin d'obtenir la bonne distance œil-oculaire, il faut monter la lunette précisément dans une certaine position en utilisant corrélativement un montage sans ou avec coude. Pour certaines configurations ou lunettes, l'emploi d'un pied arrière coudé est impératif. Dans un tel cas, il faut commander en pièces détachées.

6. Arme

Les trois chiffres du numéro correspondant à l'arme peuvent être recherchés dans les tableaux aux pages 10 à 19, et sont à insérer à leur place dans la référence de montage.

Algemeines
General
Idées générales

Schwenkmontagen
Pivot Mounts
Montages pivotants

Aufschub-/Aufklippmontagen
Slide-on/Roll-off Mounts
Montages à glissière/basculants

Einhakmontagen
Claw Mounts
Montages à crochets

Ersatzteile und Werkzeuge
Spare Parts and Tools
Pièces de rechange et outils

Komplette Schwenkmontagen für Repetierer

Complete Pivot Mounts for Bolt Action Rifles

Montages pivotants complets pour carabines à répétition

Allgemeines
General
Idées générales




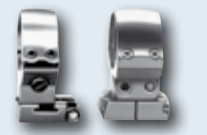


Schwenkmontagen
Pivot Mounts
Montages pivotants


















Aufschub-/Aurkippmontagen
Slide-on/Roll-off Mounts
Montages à glissière/basculants

Einhakmontagen
Claw Mounts
Montages à crochets

Ersatzteile und Werkzeuge
Spare Parts and Tools
Pièces de rechange et outils

mit Ringen/with rings/à colliers

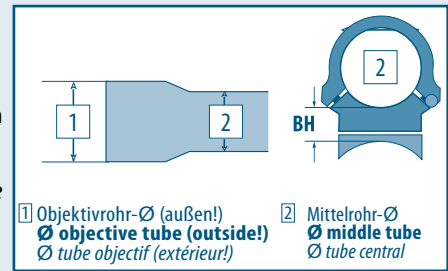
	Standard	Magnum	XS
	<p>mit geradem oder gekröpftem Vorderfuß, Ringbreite Vorder- und Hinterring: 15 mm with straight or extended front foot, width of front and rear ring: 15 mm <i>avec pied avant droit ou coudé, largeur de collier avant et arrière: 15 mm</i></p>	<p>bei dünnwandigen Gläsern oder Kalibern ab 8 mm Magnum. Mit geradem oder gekröpftem Vorderfuß, Breite Vorderring: 20 mm For scopes with thin walled tube or for rifle calibres 8 mm Magnum or larger. With straight or extended front foot, width of front ring: 20 mm. <i>Pour lunettes avec tube à paroi mince ou pour carabines de calibre 8 mm Magnum ou plus puissant. Avec pied avant droit ou coudé. Largeur de collier: 20 mm.</i></p>	<p>Ab Kaliber 9.3 in Verbindung mit schweren Gläsern mit geradem oder gekröpftem Vorderfuß, breiterer Vorderring: 20 mm, größerer Drehzapfen, 3 Gelenkschrauben For rifle calibres 9.3 mm or larger, when used along with heavy scopes. With straight or extended front foot, greater ring width: 20 mm, bigger pivot pin, with 3 swing bolts. <i>Pour carabines de calibre 9,3 mm ou plus puissant en combinaison avec des lunettes lourdes. Avec pied avant droit ou coudé, collier avant plus large: 20 mm, pivot renforcé, 3 vis d'articulation.</i></p>
	 Mod. 300/304/307  Mod. 303/305/306	 Mod. 300/304/307 Magnum  Mod. 303/305/306 Magnum	 Mod. 300/304 XS  Mod. 303/305 XS

	Standard	XS
	<p>mit geradem oder gekröpftem Vorderfuß with straight or extended front foot <i>avec pied avant droit ou coudé</i></p>	<p>Ab Kaliber 9.3 in Verbindung mit schweren Gläsern mit geradem oder gekröpftem Vorderfuß, breiterer Vorderring: 20 mm, größerer Drehzapfen, 3 Gelenkschrauben For rifle calibres 9.3 mm or larger, when used along with heavy scopes. With straight or extended front foot, greater ring width: 20 mm, bigger pivot pin, with 3 swing bolts. <i>Pour carabines de calibre 9,3 mm ou plus puissant en combinaison avec des lunettes lourdes. Avec pied avant droit ou coudé, collier avant plus large: 20 mm, pivot renforcé, 3 vis d'articulation.</i></p>
	 Mod. 400  Mod. 402 Oberteile zum Klemmen tops for clamping <i>parties supérieures à serrer</i>  Mod. 403	 Mod. 400 XS  Mod. 403 XS
	<p>Schmidt & Bender Convex + Burris auf Anfrage – solange Vorrat reicht on request, while stocks last <i>sur demande, jusqu'à épuisement du stock</i></p>	
	<p>Standard</p>  Mod. 1400  Mod. 1403	<p>XS</p>  Mod. 1400 XS  Mod. 1403 XS
	<p>Zeiss VM/ZM</p>  Mod. 2400  Mod. 2403	<p>XS</p>  Mod. 2400 XS  Mod. 2403 XS
	<p>Swarowski SR</p>  Mod. 2400  Mod. 2403	<p>XS</p>  Mod. 2400 XS  Mod. 2403 XS

Berechnung des Richtwerts für die erforderliche Bauhöhe (Montage mit Ringen):
How to calculate the required height of a mount with rings (guideline):
 Comment calculer la bonne hauteur d'un montage à colliers (formule indicative):

$$\frac{1 - 2}{2} \text{ mm}$$

aufzurunden je nach Montage-Version: 17, 18, 19, 20, 22 mm
to be rounded up to: 17, 18, 19, 20, 22 mm (depending on version of mount)
 à arrondir vers le haut à: 17, 18, 19, 20, 22 mm (dépendant de la version de montage)



Beispiel/example/exemple:

1 = 66 mm, 2 = 30 mm ▶ (66 mm – 30 mm) ÷ 2 = 18 mm ⇒ BH ≥ 18 mm: Mod. 304, 305

Die Montagen für Zielfernrohre mit Schiene passen für alle Objektiv-Durchmesser.

The mounts for scopes with rail are suited for any objective diameter.

Les montages pour lunettes avec rail sont appropriés à tout diamètre d'objectif.

	mit Ringen with rings à colliers						für Zielfernrohre mit Schiene for scopes with rail pour lunettes avec rail										
	Mod.	300	303	304	305	306	307	Standard	400	402	403	Zeiss VM/ZM	1400	1403	Swarovski SR	2400	2403
Vorderfuß gekröpft front foot extended pied avant coudé		x		x			x	x	x			x			x		
Standard ▶	BH mm	17	17	19	19	22	22	17	17	17	17	17	17	17	17	17	17
Magnum ▶	BH mm	17	17	19	19	22	22	-	-	-	-	-	-	-	-	-	-
XS ▶	BH mm	18	18	20	-	-	-	18	-	18	18	18	18	18	18	18	18

	Mod.	Version	Ring/Oberteil- ring/top collier/partie supérieure	Waffe rifle arme
	300	Standard ▶ 0 Magnum ▶ 1 XS ▶ 3	1"/26 mm ▶ 0	WKZ
	303		30 mm ▶ 5	
	304		34 mm ▶ 7	
	305		36 mm ▶ 8	
	306		40 mm ▶ 9	
	307			
	400		Standard/	WKZ
	402		Zeiss VM/ZM/ ▶ 0	
	403		Swarovski SR	
	1400			WKZ
	1403			
	2400			WKZ
	2403			

Bitte Waffenkennziffer (WKZ) aus Tabelle S. 10 - 19 einsetzen - nur für Waffen, die in der Spalte gelistet sind.

insert rifle number from tables on pages 10 - 19 (applicable only if listed under)

insérer numéro correspondant à l'arme selon tableaux aux p. 10 - 19 (applicable seulement si figurant sous)



Beispiele: Mod. 300, gekröpft, XS, Mittelrohr-Ø 30 mm, Remington 700, ohne Vorneigung
examples: mod. 300, extended, XS, middle tube Ø 30 m, Remington 700, without inclination
 exemples: mod. 300, coudé, XS, Ø tube central 30 mm, Remington 700, sans inclinaison

▶ **EAW-Nr.:** 3 0 0 – 3 5 0 1 2

Mod. 1403, gerade, Standard-Ausführung, Zeiss VM/ZM, Heym SR 20
mod. 1403, straight, standard version, Zeiss VM/ZM, Heym 20
 mod. 1403, droit, version standard, Zeiss VM/ZM, Heym SR 20

▶ **EAW-Nr.:** 1 4 0 3 – 0 0 0 6 0

Hebelschwenkmontagen (komplett) Pivot Mounts with Lever (Complete) Montages pivotants à levier (complets)

andere Kombinationen auf Anfrage
others combinations on request
d'autres combinaisons sur demande

	Standard	Magnum	Standard	Magnum	
	Ø 1"/26 mm	Ø 1"/26 mm	Ø 30 mm	Ø 30 mm	
	gekröpft extended coudé	gekröpft extended coudé	gekröpft extended coudé	gekröpft extended coudé	
	EAW-Nr.	EAW-Nr.	EAW-Nr.	EAW-Nr.	



	BH mm				
Beretta Silver Sable II	14,0	504-00147	504-10147	504-05147	504-15147



BRNO ZKK 600, 601, 602 , CZ 537, 550	17,0	500-00047	500-10047	500-05047	500-15047
	19,0	504-00047	504-10047	504-05047	504-15047
	22,0	507-00047	507-10047	507-05047	507-15047



Browning X-bolt SA (E = 74,74 mm)	17,0	500-00212	500-10212	500-05212	500-15212
	19,0	504-00212	504-10212	504-05212	504-15212
	22,0	507-00212	507-10212	507-05212	507-15212



Browning X-bolt LA (E = 93,84 mm)	17,0	500-00312	500-10312	500-05312	500-15312
	19,0	504-00312	504-10312	504-05312	504-15312
	22,0	507-00312	507-10312	507-05312	507-15312



Browning X-bolt SSA (E = 71,74 mm)	17,0	500-00412	500-10412	500-05412	500-15412
	19,0	504-00412	504-10412	504-05412	504-15412
	22,0	507-00412	507-10412	507-05412	507-15412



Chapuis Express	14,0	504-00150		504-05150	
------------------------	------	-----------	--	-----------	--



Heym SR 21/30 mit Prisma auf Hülsenbrücke/ with dovetail in the rear of the receiver/à queue d'aronde à l'arrière de boîtier de culasse	17,0	500-00406		500-05406	
	19,0	504-00406		504-05406	



Ruger No.1, mit Laufschiene/ with barrel rib/avec bande	18,0	500-00071		500-05071	
	20,0	504-00071		504-05071	



Ruger M77	17,0	500-00080		500-05080	
	19,0	504-00080		504-05080	
	22,0	507-00080		507-05080	



Sauer 303	18,5	500-00195		500-05195	
	20,5	504-00195		504-05195	
	23,5	507-00195		507-05195	



Sauer 404	17,5	500-00404		500-05404	
	19,5	504-00404		504-05404	
	22,5	507-00404		507-05404	



Sauer STR	17,0	500-00959		500-05959	
	19,0	504-00959		504-05959	



Steyr Mannlicher Schönauer GK	18,3				
	20,3	500-00034		500-05034	500-15034



Steyr Scout	17,5	500-00176		500-05176	
	19,5	504-00176		504-05176	



Voere Tirolerin	17,0	500-00216	500-10216	500-05216	500-15216
	19,0	504-00216	504-10216	504-05216	504-15216
	22,0	507-00216	507-10216	507-05216	507-15216

Allgemeines
General
Idées générales

Schwenkmontagen
Pivot Mounts
Montages pivotants






Aufschub-/Aurkippmontagen
Slide-on/Roll-off Mounts
Montages à glissière/basculants

Einhakmontagen
Claw Mounts
Montages à crochets

Ersatzteile und Werkzeuge
Spare Parts and Tools
Pièces de rechange et outils

Schmidt & Bender Convex + Burris

auf Anfrage – solange Vorrat reicht
 on request, while stocks last
 sur demande, jusqu'à épuisement du stock

Magnum	Magnum	Magnum	Magnum	Magnum	Magnum	Standard	Standard	Standard	Standard	Standard
Ø 34 mm	Ø 34 mm	Ø 36 mm	Ø 36 mm	Ø 40 mm	Ø 40 mm					
gekröpft extended coudé	gerade straight droit	gekröpft extended coudé	gerade straight droit	gekröpft extended coudé	gerade straight droit	gekröpft extended coudé	gekröpft extended coudé	gerade straight droit	gekröpft extended coudé	gerade straight droit
				EAW-Nr.	EAW-Nr.	EAW-Nr.	EAW-Nr.	EAW-Nr.	EAW-Nr.	EAW-Nr.
504-17147	505-17147	504-18147	505-18147	504-19147	505-19147					
						600-00047	1600-00047	1603-00047	2600-00047	2603-00047
504-17047	505-17047	504-18047	505-18047	504-19047	505-19047					
						600-00212	1600-00212	1603-00212	2600-00212	2603-00212
504-17212	505-17212	504-18212	505-18212	504-19212	505-19212					
						600-00312	1600-00312	1603-00312	2600-00312	2603-00312
504-17312	505-17312	504-18312	505-18312	504-19312	505-19312					
						600-00412	1600-00412	1603-00412	2600-00412	2603-00412
504-17412	505-17412	504-18412	505-18412	504-19412	505-19412					
						604-00150		1604-00150		
						600-00406	1600-00406		2600-00406	
504-17406		504-18406		504-19406						
504-17071		504-18071		504-19071		600-00071	1600-00071		2600-00071	
504-17071		504-18071		504-19071						
						600-00080	1600-00080		2600-00080	
504-17080		504-18080		504-19080						
						600-00195	1600-00195		2600-00195	
504-17195		504-18195		504-19195						
						600-00404	1600-00404	1603-00404	2600-00404	2603-00404
504-17404		504-18404		504-19404						
507-17404		507-18404		507-19404						
						600-00959	1600-00959		2600-00959	
504-17959		504-18959		504-19959						
						600-00034	1600-00034		2600-00034	
						600-00176	1600-00176		2600-00176	
504-17176		504-18176		504-19176						
						600-00216	1600-00216	1603-00216	2600-00216	2603-00216
504-17216	505-17216	504-18216	505-18216	504-19216	505-19216					

Allgemeines
 General
 Idées générales

Schwenkmontagen
 Pivot Mounts
 Montages pivotantes

Aufschub-/Aufklippmontagen
 Slide-on/Roll-off Mounts
 Montages à glissière/basculants

Einhakmontagen
 Claw Mounts
 Montages à crochets

Ersatzteile und Werkzeuge
 Spare Parts and Tools
 Pièces de rechange et outils

Einteilige Schwenkmontage, ohne Gelenk (patentiert)

One-piece Pivot Mount, without Joint (patented)

Montage pivotant en une pièce, sans jointure (breveté)

Das Prisma-Oberteil kann mit entsprechenden Vorder- und Hinterfuß-Unterteilen als Schwenkmontage oder Einhakmontage für nahezu alle Langwaffen verwendet werden. Durch die speziellen Vorderfüße ist eine extrem niedrige Positionierung der Zieleinrichtungen möglich. Es sind Ausführungen mit Weaver-Prisma und 11 mm-Prisma, für Ringe bzw. Montageprismen und für Rotpunktvisierungen lieferbar. Zum Ausgleich von vertikalen Toleranzen kann der Vorderfuß nachgearbeitet werden. Die Länge der Schiene wird an die Waffe angepasst, der Vorderfuß eingepasst und mit dem Oberteil verbohrt.

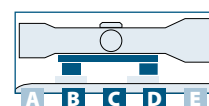
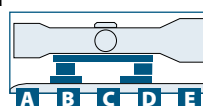
Along with corresponding front and rear sub-bases, the one-piece top with rail can be used as pivot mount or claw mount for almost all long arms. Special front feet allow a very low positioning of the aiming devices. Available are versions with Weaver or 11 mm rails, for ring mounts and mounts for scopes with rail, and for red dot sights. In order to compensate vertical tolerances, the front foot may be reworked. After the length of the rail has been adapted to the rifle, the front foot is fitted in, and two holes for the set screws are drilled through the top in accordance with the bore holes of the sub-bases.

La partie supérieure en une pièce peut être utilisée ensemble avec les parties inférieures de pieds avant et arrière correspondantes pour avoir, pour presque toute arme d'épaule, un montage pivotant ou montage à crochets. Des pieds avant spéciaux permettent une pose très basse du viseur. Disponibles sont des versions en Weaver et à queue d'aronde de 11 mm, des versions utilisables pour montages à colliers ou pour lunettes avec rail, et celles appropriées à des viseurs point rouge. Le pied avant peut être retouché afin de permettre la compensation de tolérances verticales. Il faut adapter la longueur du rail pour le faire correspondre à la carabine, y ajuster le pied avant, et faire deux perçages au travers de la partie supérieure pour les vis de fixation en conformité avec les socles.

komplette Schwenkmontage complete pivot mount montage pivotant complet



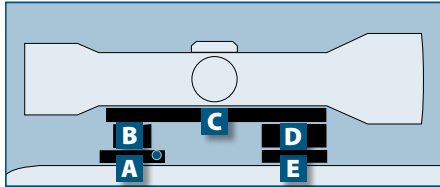
Lieferung ohne Zielgerät
aiming device not included
viseur non inclus



	mit Quernuten 4 und 5 mm with 4 and 5 mm cross slots avec tenons transversaux de 4 et 5 mm	Mod. 883 Komplettmontage mit Vorderplatte, Schloß- chen und Befestigungsschrauben/ complete mount incl. front base, rear base, and set screws/montage complet avec embase avant, serrure et vis de fixation	Mod. 883 Zweitmontage: nur das Oberteil/ secondary mount: top only/ montage secondaire: seulement partie supérieure
		EAW-Nr.	EAW-Nr.
•	Browning BAR, Acera, CBL	883-00003	883/003
•	Mauser K 98 ohne Wulst/without bulb/sans œillette	883-00010	883/010
•	Mauser K 98 mit Wulst/with bulb/avec œillette	883-00110	883/110
•	Remington 700	883-00012	883/012
•	Remington 7400, 7600	883-00074	883/074
•	Sako 75 Forester, Varmint, L 579, M 591, A II	883-00214	883/214
•	Steyr Mannlicher SBS 96 Classic	883-00202	883/202
•	Winchester 70 Magn, XTR	883-00085	883/085

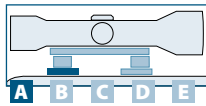
für fast alle Waffen auf Anfrage erhältlich/**available on request for almost all rifle models/disponible sur demande pour presque toute carabine**

Montage aus Einzelteilen
mount assembled from single parts
montage en pièces détachées

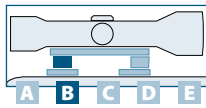


Komplettmontage: Es wird je ein Teil aus A - E benötigt.
complete mount: one piece of each A to E is required
montage complet: choisir une pièce de chaque groupe de A à E

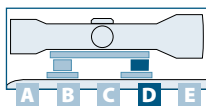
Zweitmontage: Es wird je ein Teil aus B - D benötigt.
mount: one piece of each B to D is required
montage secondaire: choisir une pièce de chaque groupe de B à D



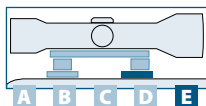
Schlösschen; Hinterplatte/rear base/serrure; embase arrière entfällt bei Verwendung als Zweitmontag does not apply when being used as secondary mount <i>n'est pas nécessaire pour montage secondaire</i>	
◡	siehe Seite/see page/voir page 48-51
■	siehe Seite/see page/voir page 48-52
★	siehe Seite/see page/voir page 109



Hinterfuß-Unterteil rear foot sub-base <i>partie inférieure de pied arrière</i>	
◡	Mod. 0/0... siehe Seite/see page/voir page 64
■	Mod. 2611, 2614, 2619 siehe Seite/see page/voir page 64
★	Mod. 00/6... siehe Seite/see page/voir page 119



		Vorderfuß/front foot/pied avant		
		Mod. 883		Mod. 101
		Standard	XS	
		EAW-Nr.	EAW-Nr.	EAW-Nr.
◡	■	BH		
		4,5	883/0045	883/3045
		5,5	883/0055	883/3055
		6,5	883/0065	883/3065
	★	7,0		101/0070
		7,5	883/0075	883/3075
		8,5	883/0085	883/3085
		10,0	883/0100	883/3100
	★	11,0		101/0110



Vorderplatte/front base/embase avant entfällt bei Verwendung als Zweitmontage does not apply when being used as secondary mount <i>n'est pas nécessaire pour montage secondaire</i>	
◡	siehe Seite/see page/voir page 43-46
■	siehe Seite/see page/voir page 43-47
★	siehe Seite/see page/voir page 109

- ◡ Schwenkmontage/ **pivot mount/** *montage pivotant*
- Hebelschwenkmontage/**pivot mount with lever/***montage pivotant à levier*
- ★ Einhakmontage/**claw mount/** *montage à crochets*

Einteilige Schwenkmontage, ohne Gelenk (patentiert)

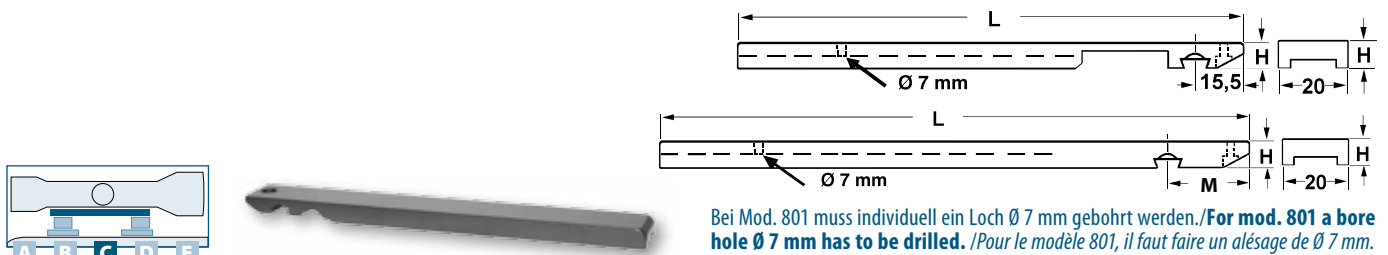
One-piece Pivot Mount, without Joint (patented)

Montage pivotant en une pièce, sans jointure (breveté)

für Repetierer und Kipplaufwaffen. Oberteile für Schwenk-, Hebelschwenk- oder Einhakmontage. Ausführungen mit Weaver-Prisma, 11 mm Prisma oder ohne Prisma für Ringe sowie Prismen-Oberteile und für Rotpunkt-Visierungen lieferbar.

for bolt action and break-open rifles. Possible as pivot mount, pivot mount with lever, and claw mount. Available as Weaver or 11 mm dovetail, and for ring mounts or scopes with rail, and for red dot sights.

pour carabines à répétition et carabines à canon basculant. Possible en montage pivotant, montage pivotant à levier, et montage à crochets. Disponibles sont des versions en Weaver et à queue d'aronde de 11 mm, des versions utilisables pour montages à colliers ou pour lunettes avec rail, et celles appropriées à des viseurs point rouge.



Bei Mod. 801 muss individuell ein Loch Ø 7 mm gebohrt werden. / **For mod. 801 a bore hole Ø 7 mm has to be drilled.** / Pour le modèle 801, il faut faire un alésage de Ø 7 mm.

Mod. 801

Montageschiene mit flacher Oberseite zur Aufnahme von Formringen oder Prisma-Oberteilen/**mounting rail with flat upper side, for rings or tops for scopes with rail/rail de montage à dessus plat, pour colliers ou parties supérieures pour lunettes avec rail**

für Hinterfuß-Unterteil/**for rear foot sub-base/pour partie inférieure de pied arrière**

	M mm	L mm	H mm	EAW-Nr.
★	15,5	162	6,7	801/0162
▲	15,5	162	6,7	801/1162
■	15,5	162	6,7	801/2162
★	30,0	210	6,7	801/0210
■	30,0	210	6,7	801/2210



Mod. 883

Weaver-Schiene mit Quernuten 4 mm/**Weaver rail with 4 mm cross slots/rail Weaver à tenons transversaux de 4 mm**

	L mm	H mm	EAW-Nr.
▲	140,0	6,0	883/1140
■	144,0	7,0	883/2144
▲	156,0	6,0	883/1156
★	156,0	7,0	883/0156
■	156,0	7,0	883/2156
★	200,0	7,0	883/0200
▲	200,0	6,0	883/1200
■	200,0	8,0	883/2200
★	220,0	7,0	883/0220



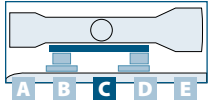
Mod. 883

Weaver-Schiene mit Quernuten 4 mm, nach hinten verlängert/**Weaver rail with 4 mm cross slots, extended backwards/rail Weaver à tenons transversaux de 4 mm, allongé vers l'arrière**

	L mm	V mm	H mm	EAW-Nr.
▲	200,0	60,0	6,0	883/1200-60
▲	200,0	150,0	6,0	883/1200-150
▲	200,0	150,0	8,0	883/1200/80-150

- ▲ Schwenkmontage/**pivot mount/ montage pivotant**
- Hebelschwenkmontage/**pivot mount with lever/ montage pivotant à levier**
- ★ Einhakmontage/**claw mount/ montage à crochets**

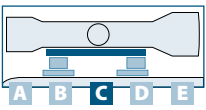
Allgemeines / General / Idées générales
 Schwenkmontagen / Pivot Mounts / Montages pivotants
 Aufschieb-/Aufklappmontagen / Slide-on/Roll-off Mounts / Montages à glissière/basculants
 Einhakmontagen / Claw Mounts / Montages à crochets
 Ersatzteile und Werkzeuge / Spare Parts and Tools / Pièces de rechange et outils



Mod. 812

Schiene mit 11 mm-Prisma/**rail with 11 mm dovetail**/*rail à queue d'aronde de 11 mm*

		L mm	H mm	EAW-Nr.
■		160,0	8,0	812/2160
▲		160,0	8,0	812/1160



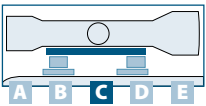
Lieferung ohne Docter-Sight
without Docter-Sight
sans Docter-Sight



Mod. 2300

Schiene für Docter-Sight
rail for Docter-Sight
rail pour Docter-Sight

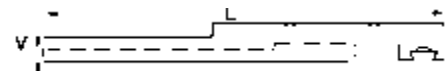
		L mm	H mm	EAW-Nr.
▲		156,0	6,0	2300/1156
■		156,0	7,0	2300/2156
★		156,0	7,0	2300/0156
▲		200,0	6,0	2300/1200



Mod. 2800

Schiene für Zeiss Compact-Point
rail for Zeiss Compact-Point
rail pour Zeiss Compact-Point

		L mm	H mm	EAW-Nr.
▲		156,0	6,0	2800/1156
■		156,0	7,0	2800/2156
★		156,0	7,0	2800/0156



Mod. 1801*

Schiene für Blaser Hitpoint
rail for Blaser Hitpoint
rail pour Blaser Hitpoint

		L mm	H mm	EAW-Nr.
▲ ★		156,0	7,0	1801/1156
■		156,0	8,0	1801/2156
★		220,0	8,0	1801/0220

* solange Vorrat reicht
while stocks last
jusqu'à épuisement du stock

Allgemeines
General
Idées générales

Schwenkmontagen
Pivot Mounts
Montages pivotants

Aufschub-/Aufklappmontagen
Slide-on/Roll-off Mounts
Montages à glissière/basculants

Einhakmontagen
Claw Mounts
Montages à crochets

Ersatzteile und Werkzeuge
Spare Parts and Tools
Pièces de rechange et outils

Einteilige Schwenkmontage, mit Gelenk One-piece Pivot Mount, with Joint Montage pivotant en une pièce, avec jointure

Die EAW-Schwenkmontagen Mod. 882 (mit Weaver-Schiene) und 888 (für Dedal-Zielgeräte) bieten vielfältige Einstellmöglichkeiten im Hinter- und Vorderfuß für spannungsfreie Lagerung des Zielfernrohres und damit für immer gleichbleibende Trefferlage – auch bei wechselweiser Verwendung mehrerer Gläser. Eine Besonderheit ist die stufenlose Längen Anpassung (BGm.) im Vorderfuß, die die Toleranz im Abstand von Vorderplatte zu Schließchen ausgleichen kann. Die Montagen werden komplett aus Stahl gefertigt.

The EAW pivot mounts mod. 882 (with Weaver rail) and 888 (for Dedal aiming devices) offer various adjustment possibilities both in the rear foot and the front foot, which allow a tension-free fit of the scope and thus guarantee a constant point of impact, even if several scopes are used alternately. As a special feature, the length of the mounts can be adjusted steplessly (registered design) in the front foot in order to compensate tolerances in the spacing between front base and rear base. The mounts are all-steel.

Les montages pivotants EAW mod. 882 (avec rail Weaver) et 888 (pour viseurs Dedal) offrent des possibilités de réglage variées dans les pieds avant et arrière, et le rendent possible ainsi de loger la lunette sans aucune tension, en assurant de cette façon une précision au tir constante, même si plusieurs lunettes sont utilisées à tour de rôle. La particularité de ces montages consiste en la possibilité de réglage continu de la longueur (modèle déposé) au pied avant, ce qui permet au tireur la compensation des tolérances de distance entre l'embase avant et la serrure. Les montages sont entièrement en acier.



mit Quernuten 4 und 5 mm with 4 and 5 mm cross slots avec tenons transversaux de 4 et 5 mm	Mod. 882 Komplettmontage mit Vorderplatte, Schließchen und Befestigungsschrauben/ complete mount incl. front base, rear base, and set screws/montage complet avec embase avant, serrure et vis de fixation	Mod. 882 Zweitmontage: nur das Oberteil (wie abgebildet)/ secondary mount: top only (as shown)/montage secondaire: seulement partie supérieure (voir illustration)
	EAW-Nr.	EAW-Nr.
Benelli Argo, Argo Special	882-00273	882/273
Browning A-bolt, Eurobolt	882-00002	882/002
Browning BAR I/II, Acera, CBL	882-00003	882/003
Heckler & Koch SL 7	882-00087	882/087
Mauser K 98 o. Wulst/without bulb/sans œillette	882-00010	882/010
Remington 700, 78	882-00012	882/012
Remington 4/7400, 6/7600	882-00074	882/074
Sako TRG 21/41, 22/42	882-00238	882/238
Sauer SR 200	882-00059	882/059
Sauer 202 Magnum	882-00659	882/659
Sauer 202 Medium	882-00759	882/759

für andere Waffen auf Anfrage/**on request also available for further rifles/sur demande possible aussi pour d'autres carabines**



	Schiene für Dedal/ rail for Dedal/rail pour Dedal	Mod. 888
	Material/material/matériau	EAW-Nr.
Browning BAR I/II	Stahl/ steel/acier	888/00003
Sauer 202 Magnum	Stahl/ steel/acier	888/00659
Sauer 202 Medium	Stahl/ steel/acier	888/00759



	Adapter für Dedal/ adapter for Dedal/raccord pour Dedal	Mod. 888
	Material/material/matériau	EAW-Nr.
Dedal 180, 450, 460	DURAL	888/450
Dedal 470	DURAL	888/470
Dedal 480	DURAL	888/480

Vorderplatten für Repetierer

Front Bases for Bolt Action Rifles

Embases avant pour carabines à répétition



Vorderplatten haben eine ein- und nachstellbare Passung
front bases have an adjustable and readjustable fit
embases avant ont une fente pour ajustage et réajustage du pied



Mod. 0/15	Mod. 0/16	Type
Standard	XS	A B
EAW-Nr.	EAW-Nr.	Type

	Für Waffenprisma/ for dovetail/pour queue d'aronde de 11 mm			
	Alle KK mit 11 mm-Prisma/ all small calibre rifles with 11 mm dovetail/toute arme de petit calibre à queue d'aronde de 11 mm			
	mit metrischen Schrauben/screws having metric thread/ <i>avec vis à filetage métrique</i>			
	Anschütz KK und andere mit 11 mm-Pr./Anschütz and other small calibre rifles with 11 mm dovetail/			
	armes de petit calibre Anschütz et autres avec queue d'aronde de 11 mm			
	mit zolligen Schrauben/screws having inch thread/ <i>avec vis à filetage au pouce</i>			
Anschütz	1780	0/15222	-	B
	1727 F	0/15228	-	B
Antonio Zoli	1900	0/15305	0/16305	B
A-Square	Repetierer/ bolt action rifle/répét. 416 Rigby	-	0/16158	B
Benelli	Argo, Argo Special	0/15273	0/16273	A
Beretta	Silver Sable II	0/15147	-	A
	Corta 500	0/15081		
	Lunga	0/15083		
	Mato de Luxe	0/15029		
	Media	0/15082		
Brno	ZKM, Fox, CZ 527, Hornet, Prisma/ dovetail/queue d'aronde de 16,5 mm	0/15041	-	B
	ZKK, 600, 601, 602, CZ 550, CZ 537, Repetierer mit Prisma 19 mm/ bolt action rifle with 19 mm dovetail/répét. avec queue d'aronde de 19 mm	0/15047	0/16047	B
Browning	BAR I, BAR II, CBL, Acera, Long/Short Trac	0/15003	0/16003	A
	BLR, CLR 81, Lightning	0/15103	0/16103	A
	BAR Longtrac Linkssystem/ left-handed version/version gaucher	0/15203	-	A
	Browning Mauser Sniper	0/15004	0/16004	B
	A-bolt, Eurobolt, Utah, Takedown	0/15002	0/16002	B
	A-bolt Mountain/WSSM	0/15167	0/16167	B
	A-bolt cal. .222, 223 KK	0/15196	-	B
	T-bolt	0/15221	-	A
	X-bolt, E = 74,74 mm	0/15212	-	B
	X-bolt, E = 93,84 mm	0/15312	-	B
	X-bolt, E = 71,74 mm	0/15412	-	B
	European	0/15143	0/16143	B
BSA	Repetierer/ bolt action rifle/répét.	0/15027		
	Monarch Majestic	0/15041		
Carl Gustaf	1900, 1896, ohne Wulst/ without bulb/sans œilleton	0/15005	0/16005	B
	1900, 1896, mit Wulst/ with bulb/avec œilleton	0/15105	0/16105	B
	2000	0/15194	0/16194	B
	3000	0/15215	0/16215	B
	4000	0/15259	-	B
Chapuis	Gévaudan 2000	0/15250	-	B
Churchill	Highlander	0/15123	0/16123	B
CZ	siehe/see/voir „BRNO“			
Dakota	F6	0/15329	-	
	Repetierer/ bolt action rifle/répét.	0/15224		
	Safari	0/15229		
Dumolin	Armor 2000	0/15165		
Fabarm	Iris	0/15220	0/16220	A
Falcon	Repetierer/ bolt action rifle/répét.	0/15140		
Fanzoj	Repetierer/ bolt action rifle/répét.	0/15161		
Fair	Express	0/15182		
Feinwerkbau	K 2600, LG 600	0/00055		
Fias	Churchill	0/15112	0/16112	B
Grünig & Elmiger	Repetierer/ bolt action rifle/répét.	0/15089	0/16089	A
	Supertarget, Target 200	0/15001		
Haenel	Jaeger 10	0/15225	0/16225	B
	SLB 2000	0/15187		
Harrington & Richardson	cal. 270	0/15077		
	cal. 208 Automat	0/15076		
	M 300	0/15075		
Heckler & Koch	SL 7, 770 Jagdschaft, 940	0/15087	-	A
	SLB 2000	0/15187	0/16187	B
Hellenic		0/15104		

Allgemeines
 General
 Idées générales

Schwenkmontagen
 Pivot Mounts
 Montages pivotants

Aufschub-/Aufklappmontagen
 Slide-on/Roll-off Mounts
 Montages à glissière/basculants

Einhakmontagen
 Claw Mounts
 Montages à crochets

Ersatzteile und Werkzeuge
 Spare Parts and Tools
 Pièces de rechange et outils

Vorderplatten für Repetierer

Front Bases for Bolt Action Rifles

Embases avant pour carabines à répétition



		Mod. 0/15	Mod. 0/16	Type
		Standard	XS	
		EAW-Nr.	EAW-Nr.	Type
Heym	SR 10, SR 20	0/15060	0/16060	B
	SR 20 Varmint	0/15160		
	SR 21 mit Bohrungen auf Hülsenbrücke/ with bore holes in the rear of the receiver/avec alésages à l'arrière de boîtier de culasse		0/16306	B
	SR 30 mit Bohrungen auf Hülsenbrücke/ with bore holes in the rear of the receiver/avec alésages à l'arrière de boîtier de culasse		0/16206	B
HOWA	SR 21/30 mit Prisma auf Hülsenbrücke/ with dovetail in the rear of the receiver/à queue d'aronde à l'arrière de boîte de culasse	0/15406	0/16406	B
	SR 40	0/15108		A
	Express	0/15120	0/16120	B
Interarms	Express Repetierer/ bolt action rifle/répét.	0/15320	0/16320	B
	1500 S/LA/SA	0/15218	0/16218	B
Kepplinger	Mark X	0/15107		
	Jägerbüchse	0/15128		
Kettner	L 83	0/15149	0/16149	B
	Luger 04	0/15174		
	Luger Mini 14	0/15207		
Kimber	Luger Repetierer/ bolt action rifle/répét.	0/15205		
	84	0/15210		
	8400	0/15310		
Kind	M89	0/15024		
	92, 112, 113, Rep./ bolt action rifle/répét. Hubertus B	0/15142	0/16142	B
Kongsberg	Repetierer/ bolt action rifle/répét. 393	0/15239		B
Krico	700, 900, 902 Deluxe	0/15006	0/16006	B
	300, 400	0/15066		B
	600	0/15106	0/16106	B
Krieghoff	Semprio	0/15191		A
Lakelander	389	0/15139		
	Repetierer/ bolt action rifle/répét.	0/15205	0/16205	B
	Mini	0/15207		A
Lynx	04	0/15174	0/16174	B
	TD 15	0/15338	0/16338	
	9, 45, 94, 95, 308, 336, 338, 444 CL, AS 30, 990, 922, 1894, 1895	0/15036	0/16036	A
Marlin	455	0/15111	0/16111	B
	XLR, MXLR	0/15136	0/16136	A
	MR 7	0/15169		
	2000, 3000	0/15007	0/16007	B
Mauser	4000	0/15008		A
	66, Vorderplatte/ front base/embase avant: BH 6,0 mm	0/15009	0/16009	B
	66, Vorderplatte/ front base/embase avant: BH 8,0 mm	0/15109	0/16109	B
	K 98 ohne Wulst/ without bulb/sans œilleton	0/15010	0/16010	B
	K 98 mit Wulst/ with bulb/avec œilleton	0/15110	0/16110	B
	M 98	0/15098	0/16098	B
	77	0/15063		B
	226 Titan	0/15122	0/16122	B
	225 Titan	0/15145	0/16145	B
	201 KK	0/15126		A
McMillan	86	0/15129		A
	M 94, M 96, M 97	0/15156	0/16156	B
	M 88 - hinterer Lochabstand/ rear distance/extraxe AR: 21,9 mm	0/15144	0/16144	B
Mercury	M 88 - hinterer Lochabstand/ rear distance/extraxe AR: 15,9 mm	0/15146	0/16146	B
	870	0/15304		B
Merkel	Repetierer/ bolt action rifle/répét.	0/15204		
	SR 1 Basic	0/15187		B
Mirocu	SR 1 Standard	0/15186		
	BBF	0/15148		
Mossberg	100 ATR	0/15219	0/16219	B
Musgrave	M 83, 90, 94, Africa	0/15124	0/16124	B
	K 98 (hint. Lochabstand angeben/ pls. indicate rear dist. between bore holes/s.v.p. indiquer l'extraxe AR)	0/15184	0/16184	B
	2000	0/15099		

KK: Kleinkaliber/ **small calibre rifle/ arme de petit calibre**
BDB: Bockdoppelbüchse/ **over/under rifle/ carabine superposée**
BBF: Bockbüchsenflinte/ **mixed barrel gun/ fusil mixte superposé**



		Mod. 0/15	Mod. 0/16	Type	
		Standard	XS	A	B
		EAW-Nr.	EAW-Nr.	Type	
Nikko	7000 Mistral	0/15037			
Parker Hale	270, 1100, 1200	0/15011	0/16011		B
	Midland	0/15062	0/16062		B
Pfeiffer	Safety Rifle	0/15166			
Remington	40-XB	0/15079	0/16079		B
	504	0/15118			
	600, 660, Mohawk, XP 100	0/15032	0/16032		B
	700, 78	0/15012	0/16012		B
	710	0/15710			B
	740, 742, 760, 778	0/15013	0/16013		B
	750, 7400, 7600	0/15013			
	770 cal. .300	0/15074	0/16074		B
	750 Woodmaster	0/15217			B
	7400, 7600	0/15211			B
	Seven	0/15074			
	XR 100	0/15078	0/16078		B
Rößler	Titan 3, 6, α (Alpha)	0/15188			B
	Titan 16	0/15459	0/16459		B
Ruger	44 Magnum	0/15356	0/16356		B
	M 1 mit Laufschiene/ with barrel rib/avec bande	0/15028			A
	M 77 Hülse mit Rundungen/ round top/boîtier rond, Prisma/dovetail/queue d'aronde de 12 mm	0/15071	0/16071		B
	M 89 („Sicherheitsbüchse“)	0/15080	0/16080		B
RWS		0/15223	0/16223		B
Sabatti	Rover 870	0/15155			
Sako	75 Vixen, L 461, S 491, A I	0/15114	0/16114		B
	75 Forester, Varmint, L 579, L 581, L/M 591, L 691, A II/III/IV	0/15214	0/16214		B
	75 Finnbear, L 61 R, L 691, M 995, A IV/V	0/15314	0/16314		B
	85 M, MA 05	0/15414			B
	Finnwolf	0/15070			
	TRG 21/41, 22/42	0/15238	0/16238		B
	A7 M/S	0/15232			B
SAN Swiss Arms	SHR 970, bitte angeben: 4 o. 6 Bohrungen/ pls indicate number of bore holes/s.v.p. indiquer le nombre d'alisages	0/15175	0/16175		B
Santa Barbara	Repetierer/ bolt action rifle/répét.	0/15044	0/16044		B
Sauer	10, 11 Scout	0/15231			
	80, 90, 92, SSG 2000	0/15015	0/16015		B
	100, 200	0/15159			
	101	0/15197			
	SR 200	0/15059	0/16059		B
	202 Original	0/15559			
	202 Magnum	0/15659	0/16659		B
	202 Medium	0/15759	0/16759		B
	303	0/15195			B
	STR, SSG 3000	0/15959			B
Savage	110, 112, 116	0/15016	0/16016		B
	99 C	0/15163			
	116 Accu Trigger	0/15164	0/16164		B
Saxonia	Sniper	0/15189	0/16189		B
Schweizer Karabiner/Swiss Carbine/Carabine Suisse K 31		0/15073			B
Schultz & Larsen	K 98	0/15084	0/16084		B
	65 DL, 68 DL, 100 DL	0/15099	0/16099		B
	97 DL	0/15199	0/16199		B
Shilen		0/15088			
SIG Sauer	siehe/see/voir „Sauer“				
Smith & Wesson	1500, Churchill	0/15091	0/16091		B

Allgemeines
General
Idées générales

Schwenkmontagen
Pivot Mounts
Montages pivotants

Aufschub-/Aufklappmontagen
Slide-on/Roll-off Mounts
Montages à glissière/basculants

Einhakmontagen
Claw Mounts
Montages à crochets

Ersatzteile und Werkzeuge
Spare Parts and Tools
Pièces de rechange et outils

Vorderplatten für Repetierer

Front Bases for Bolt Action Rifles

Embases avant pour carabines à répétition



		Mod. 0/15	Mod. 0/16	
		Standard	XS	
		EAW-Nr.	EAW-Nr.	Type
Steyr	SBS 96 CSP L/M, Pro Hunter L/M	0/15202	0/16202	B
	SBS 96 CSP S Pro Hunter S	0/15302	0/16302	B
	SBS 96 Export Classic Mannlicher	0/15402	0/16402	A
	SSG, Sporter (Prisma /dovetail/queue d'aronde de 18 mm), Police I/II	0/15033	0/16033	B
	Scout	0/15176	-	A
Steyr Mannlicher	SL	0/15017	0/16017	A
	Jagdmatch L/SL, S, L, SL, SBS-96 L/M/S	0/15018	0/16018	A
	Schönauer 72 L/M/S	0/15019	-	A
	Luxus	0/15208		
	M, Luxus L/M/ S	0/15086	0/16086	A
	L	0/15093	0/16093	A
	Schönauer GK	0/15034	-	B
Swiss Arms	SHR 970	0/15175		
	SHR 979	0/15275		
Thompson	22 Classic	0/15185	-	B
Tikka	M76, M/LS 65, M/LS 55	0/15038	0/16038	B
	558, 595, 658, 690, Pupular, Continental	0/15138	0/16138	B
	M 595	0/15538	0/16538	B
	M 695	0/15638	0/16638	B
	T3 (siehe/see/voir Sako TRG 21/41, 22/42)			B
Unique	T.G.C.	0/15135	-	B
Valmet	757, 777	0/15154		
Varberger	M 717, 757, 777, Luxus	0/15154	0/16154	B
Verney-Carron	Impact Auto	0/15405	0/16405	B
	LA	0/15226	0/16226	B
Voere	2140 Titan I	0/15020	-	B
	2165 Kufstein, 2155	0/15021	0/16021	B
	2145 Titan II	0/15045	0/16045	B
	2250 Titan II			
	Titan Menor, 3145	0/15061	-	A
	2185 Automat	0/15141	-	B
	LBW	0/15264	-	A
	Tirolerin	0/15216	-	B
	VEC 91	0/15134		
		0/15022		
Walter	J.R, J.R.M, J.R.S	0/15022		
Weatherby	Mark V, Europa, 300, Vanguard	0/15023	0/16023	B
	Mark V cal. .270, Junior	0/15058	-	B
Weihrauch	HW 60, 66	0/15153	-	A
Winchester	70 long/short, 770, Target	0/15024	0/16024	B
	88, 100	0/15025	-	B
	70 Magn. - hinterer Lochabstand/rear distance between bore holes/entraxe AR de 11mm	0/15029	0/16029	B
	777	0/15072	-	B
	70 Magn. - hinterer Lochabstand/rear distance between bore holes/entraxe AR de 8,3 mm, XTR	0/15085	0/16085	B
	70 Super Shadow 223 WSSM	0/15117	0/16117	B
	SX3 Vulkan	0/15003		
	XPR	0/15235		
Zastava	70	0/15049	0/16049	B
	Mini Mauser	0/15107	-	A
Rohling zur Nachbearbeitung, Unterseite flach/ unmachined part for refinishing, with flat bottom side/ pièce brute à retoucher, à dessous plat				
H x B x L 9 x 22 x 32		0/1500/0900	-	B

Vorderplatten für Kipplaufwaffen

Front Bases for Break-open Rifles

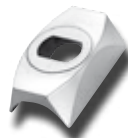
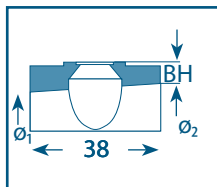
Embases avant pour carabines à canon basculant



		Vorderplatten front bases embases avant			
		L mm	BH mm	EAW-Nr.	
Standard	Vorderplatte Schwenkmontage, Abmessung wie SEM*- Vorderplatte/front base of pivot mount, of the same dimensions as front base of claw mount/embase avant de montage pivotant, aux mêmes dimensions que l'embase avant de montage à crochets	21,1	4,8	0/14	
		21,1	5,8	0/1402	
		22,0	4,8	0/1404	
Chapuis	Express (o.Abb./not ill./sans ill.)	34,0	5,8	0/15150	
Fair	Express	34,0	5,0	0/15182	
Heym	M 22 + 22 S und ähnliche/and similar/et similaires	21,4	5,8	0/1400	
	8 mm-Laufschiene/8 mm barrel rib/avec bande de 8 mm	28,0	5,8	0/1408	
	12 mm-Laufschiene/12 mm barrel rib/avec bande de 12 mm	28,0	5,8	0/1412	
Sauer	Drilling 3000	40,0	5,5	0/15130	
Rizzini	Express mit Schiene/with rib/avec bande de 10 mm	30,0	5,0	0/15181	
	Express mit Schiene/with rib/avec bande de 7 mm	34,0	5,0	0/15282	
Waldberg ohne Prisma/without prism/sans prisme	DB (o.Abb.)/ double rifle (not ill.)/carabine juxtaposée (sans ill.)	34,0	5,8	0/15170	
	für Reparatur (o. Abb.)/ for repair work (not ill.)/ pour travaux de réparation (sans ill.)	≈ 26 x 24 mm	24,0	4,8	0/1401
		≈ 22 x 28 mm	28,0	5,8	0/1400/0
	für XS/for XS/pour XS	≈ 25 x 34,5 mm	34,5	6,0	0/16



		Vorderplatten front bases embases avant		
		L mm	BH mm	EAW-Nr.
Bettinsoli	Express BDB/over/under shotgun/fusil superposé	53,0	6,2	0/13213
Zoli, Antonio	Drilling	54,0	5,0	0/13132



Vorderplatten, konisch oder zylindrisch/front bases, conical or cylindrical/embases avant, coniques ou cylindriques					
Ø ₁ mm	Ø ₂ mm	L mm	BH mm	EAW-Nr.	
18.0	18.0	38,0	7,5	0/3109	
18.5	20.0	38,0	6,2	0/3110	
20.0	20.5	38,0	5,0	0/3101	
20.0	21.0	38,0	5,0	0/3102	
20.5	21.5	38,0	5,0	0/3103	
21.0	22.0	38,0	5,0	0/3104	
21.5	22.5	38,0	5,0	0/3105	
22.0	23.0	38,0	5,0	0/3106	
23.0	24.0	38,0	5,0	0/3107	
23.5	24.5	38,0	5,0	0/3108	
nach Angabe/as per your specification/selon vos indications		38,0	-	0/32	



Vorderplatten für Drillinge/front bases for drillings/embases avant pour drillings				
		L mm	BH mm	EAW-Nr.
für Kaliber 12 und 16/ for calibres 12 and 16/ pour calibres de 12 et 16		38,0	5,0	0/40
für Kaliber 12 und 16/ for calibres 12 and 16/ pour calibres de 12 et 16		38,0	3,0	0/41

* SEM: Einhakmontage/claw mount/montage à crochets

Allgemeines
General
Idées générales

Schwenkmontagen
Pivot Mounts
Montages pivotants

Aufschub-/Aufklippmontagen
Slide-on/Roll-off Mounts
Montages à glissière/basculants

Einhakmontagen
Claw Mounts
Montages à crochets

Ersatzteile und Werkzeuge
Spare Parts and Tools
Pièces de rechange et outils

Schlösschen und Hinterplatten

Rear Bases and Rear Plates

Serrures et embases-socles arrière

Schlösschen für Schwenkmontagen und Hinterplatten für Hebelschwenkmontagen
rear bases of pivot mounts and rear plates of pivot mounts with lever
serrures de montages pivotants et embases-socles de montages pivotants à levier



Schlösschen sind einstellbar, wie auf Seite 24 beschrieben.
Rear bases are adjustable as described on page 24.
Pour le réglage des serrures voir page 24.



Mod. 0/35	Mod. 3114
Schlösschen rear bases serrures	Hinterplatten f. 14,5 mm-Prisma rear plates f. 14.5 mm dovetail embases-socles pour queue d'aronde de 14,5 mm
EAW-Nr.	EAW-Nr.

Alle KK mit 11 mm-Prisma/all small calibre rifles with 11 mm dovetail/toute arme de petit calibre à queue d'aronde de 11 mm

mit metrischen Schrauben/screws having metric thread/
avec vis à filetage métrique

0/35001

-

Anschütz KK und andere mit 11 mm-Pr./Anschütz and other small calibre rifles with 11 mm dovetail/ *armes de petit calibre Anschütz et autres avec queue d'aronde de 11 mm*

mit zolligen Schrauben/screws having inch thread/
avec vis à filetage au pouce

0/35026

-

Anschütz	1780	0/35222	-
	1727 F	0/35228	-
A-Square	Repetierer/bolt action rifle/répét. 416 Rigby	0/35158	-
Benelli	Argo, Argo Special	0/35273	-
Beretta	Silver Sable II	-	3114/00147
	Corta 500	0/35081	-
	Lunga	0/35083	-
	Mato de Luxe	0/35029	-
	Media	0/55082	-
Brno	ZKM, Fox, CZ 527, Hornet Prisma 16,5 mm	0/35041	-
Bettinsoli	Express BDB/over/under shotgun/fusil superposé	-	3114/00213
Browning	BAR I, BAR II, CBL, Acera, Long/Short Trac	0/35003	3114/00003
	BLR, CLR 81, Lightning	0/35103	3114/00103
	BAR Longtrac Linkssystem/left-handed version/version gaucher	0/35203	3114/00203
	Browning Mauser Sniper	0/35004	3114/00004
	A-bolt, Eurobolt, Utah, Takedown	0/35002	3114/00002
	A-bolt Mountain/WSSM	0/35167	-
	A-bolt cal. .222	0/35196	3114/00196
	T-bolt	0/35221	-
	X-bolt, E = 74,74 mm	-	3114/00212
	X-bolt, E = 93,84 mm	-	3114/00312
	X-bolt, E = 71,74 mm	-	3114/00412
	European	0/35143	-
	1885 mit 8-kant-Lauf/with octag. barrel/avec canon octog.	0/35162	-
Carl Gustaf	1900, 1896, ohne Wulst/without bulb/sans œilleton	0/35005	3114/00005
	1900, 1896, mit Wulst/with bulb/avec œilleton	0/35105	3114/00105
	2000	0/35194	3114/00194
	3000	0/35215	3114/00215
	4000	0/35259	3114/00259
Chapuis	Gévaudan 2000	0/35250	-
	Doppelbüchse/double rifle/carabine juxtaposée „Express“	-	3114/00150
Churchill	Highlander	0/35123	-
CZ	siehe/see/voir „BRNO“	-	-
Dakota	F6	0/35329	-
	Repetierer/bolt action rifle/répét.	0/35224	-
	Safari	0/35229	-
Dumolin	Armor 2000	0/35165	-
Fabarm	Iris	0/35227	-
Fair	Express	-	3114/00182
Falcon	Repetierer/bolt action rifle/répét.	0/35140	3114/00140
Fanzoj	Repetierer/bolt action rifle/répét.	0/35161	-
Feinwerkbau	K2600, LG 600	0/35055	-
Fias	Churchill	0/35112	-
Grünig & Elmiger	Repetierer/bolt action rifle/répét.	0/35089	3114/00089
	Supertarget, Target 200	0/35001	-
Haenel	Jaeger 10	0/35225	-
	SLB 2000	0/35187	-
Harrington & Richardson	cal. .270	0/35057	-
	cal. .308	0/35056	-
	M 300	0/35055	-

■ Hebelschwenkmontage/pivot mount with lever/montage pivotant à levier

KK: Kleinkaliber/ small calibre rifle/ arme de petit calibre
 BBF: Bockbüchseflinte/ mixed barrel gun/ fusil mixte superposé
 BDB: Bockdoppelbüchse/ over/under rifle/ carabine superposée

Schlösschen und Hinterplatten

Rear Bases and Rear Plates

Serrures et embases-socles arrière



		Mod. 0/35	■ Mod. 3114
		Schlösschen rear bases serrures	Hinterplatten f. 14,5 mm-Prisma rear plates f. 14.5 mm dovetail embases-socles pour queue d'aronde de 14,5 mm
		EAW-Nr.	EAW-Nr.
Heckler & Koch	SL 7 und andere/ <i>and others/et autres</i>	0/35087	-
	SLB 2000	0/35187	-
Helenic		0/35104	
		0/35060	3114/00060
Heym	SR 20	0/35306	3114/00306
	SR 21 mit Bohrungen auf Hülsenbrücke/ <i>with bore holes in the rear of the receiver/avec alésages à l'arrière de boîtier de culasse</i>		
	SR 30 mit Bohrungen auf Hülsenbrücke/ <i>with bore holes in the rear of the receiver/avec alésages à l'arrière de boîtier de culasse</i>	0/35206	3114/00206
	SR 40	0/35108	3114/00108
	Express	0/35120	-
	Express Repetierer/ <i>bolt action rifle/répét.</i>	0/35320	-
HOWA	1500 S	0/35218	-
Interarms	Mark V	0/35107	
Kepplinger	Jägerbüchse	0/35128	
Kettner	Repetierer/ <i>bolt action rifle/répét.</i> L 83	0/35149	3114/00149
	Luger 04	0/35174	
	Luger Mini	0/35207	
	Luger Repetierer/ <i>bolt action rifle/répét.</i>	0/35205	
	L 83	0/35149	
	BDB	-	3114/00179
Kimber	84	0/35210	
	8400	0/35310	
	M89	0/35024	
Kind	92, 112, 113, Repetierer/ <i>bolt action rifle/répét.</i> Hubertus B M 113	0/35142	-
Kongsberg	Repetierer/ <i>bolt action rifle/répét.</i> 393	0/35239	3114/00239
Krico	700, 900, 902 Deluxe	0/35006	3114/00006
	300, 400	0/35066	-
	600	0/35106	3114/00106
Krieghoff	Semprio	0/35191	3114/00191
Lakelander	389	0/35139	
	Luger	0/35205	3114/00205
	Mini	0/35207	-
	04	0/35174	-
Lynx	TD 15	0/35166	
Marlin	94, 336, 444 CL, No. 9, AS 30, 922, 45, 1895	0/35036	3114/00036
	455	0/35111	3114/00111
	XLR, MXLR	0/35136	-
Mauser	2000, 3000	0/35007	3114/00007
	4000	0/35008	3114/00008
	66	0/35009	3114/00009
	K 98 ohne Wulst/ <i>without bulb/sans œilleton</i>	0/35010	3114/00010
	K 98 mit Wulst/ <i>with bulb/avec œilleton</i>	0/35110	3114/00110
	M 98	0/35098	3114/00098
	77	0/35063	
	226 Titan	0/35122	3114/00122
	225 Titan	0/35145	3114/00145
	201 KK	0/35126	-
	86	0/35129	-
	M 94, M 96 bis Seriennr./ <i>up to serial No./jusqu'au n° de série</i> 96011999	0/35156	3114/00156
	M 94, M 96 ab Seriennr./ <i>from serial No./à partir du n° de série</i> 960112000, M 97	0/35256	-
McMillan	M 88 - hinterer Lochabstand:/ <i>rear dist. betw. bore holes/entraxe AR: 21,9 mm</i>	0/35144	-
	M 88 - hinterer Lochabstand:/ <i>rear dist. betw. bore holes/entraxe AR: 15,87 mm</i>	0/35146	-
Mercury	870	0/35204	3114/00204
	Repetierer/ <i>bolt action rifle/répét.</i>	0/35204	
Merkel	SR 1 Standard	0/35186	3114/00186
	SR 1 Basic	0/35187	
Mossberg	100 ATR	0/35219	-

Allgemeines
General
Idées générales

Schwenkmontagen
Pivot Mounts
Montages pivotants

Aufschub-/Aufklappmontagen
Slide-on/Roll-off Mounts
Montages à glissière/basculants

Einhakmontagen
Claw Mounts
Montages à crochets

Ersatzteile und Werkzeuge
Spare Parts and Tools
Pièces de rechange et outils

Schlösschen und Hinterplatten

Rear Bases and Rear Plates

Serrures et embases-socles arrière



Schlösschen sind einstellbar, wie auf Seite 24 beschrieben.
Rear bases are adjustable as described on page 24.
 Pour le réglage des serrures voir page 24.

Mod. 0/35	■ Mod. 3114
Schlösschen rear bases serrures	Hinterplatten f. 14,5 mm-Prisma rear plates f. 14.5 mm dovetail embases-socles pour queue d'aronde de 14,5 mm
EAW-Nr.	EAW-Nr.
Musgrave M 83, 90, 94, Africa	
K 98 bitte hint. Lochabstand angeben/ please indicate rear distance between bore holes/veuillez indiquer l'entraxe AR	
2000	
Nikko 7000 Mistral	
Parker Hale Safari 1200	
Midland	3114/00011
Pfeifer Safety Rifle	
Remington 40-XB	
600, 660, Mohawk, XP 100	3114/00079
700, 78	3114/00032
710	3114/00012
740, 742, 760	
750 Woodmaster	3114/00013
770 cal. .300	3114/00211
7400, 7600	3114/00217
Seven	
XR 100	3114/00078
Rizzini Express mit Schiene/ with rib/avec bande de 10 mm	
Express mit Schiene/ with rib/avec bande de 7 mm	3114/00181
Rößler Titan 3/6, α (Alpha)	3114/00182
Titan 16	
Ruger 44 Magnum	
RWS M 89 („Sicherheitsbüchse“)	
Sako 75 Vixen, L 461, S 491, A I	
75 Forester, Varmint, L 579, M 591, A II	
75 Finnbear, L 61 R, L691, M 995, A III/IV/V	
85 M	
TRG 21/41, 22/42	
A7 M, S	
Sabatti Rover 870	
SAN Swiss Arms SHR 970, bitte angeben: 4 o. 6 Bohrungen/ pls indicate number of bore holes/s.v.p. indiquer le nombre d'alésages	
Santa Barbara Repetierer/ bolt action rifle/répét.	
Sauer 80, 90, 92, SSG 2000	3114/00044
SR 200	3114/00015
202 Magnum	3114/00059
202 Medium	3114/00659
303	
100, 200	3114/00195
101	
Savage 110, 112, 116	
110 Accu Trigger	3114/00016
99c	
Saxonia Sniper	
Schultz & Larsen Mod. 84	3114/00084
68 DL, M 100	3114/00099
97 DL	
Schweizer Karabiner/ Swiss Carbine/Carabine Suisse	
K 31	
Shilen	
Smith & Wesson 1500, Churchill	
Steyr Mannlicher SL	3114/00091
Mannlicher S, Jagdmatch L/SL, SBS 96	3114/00017
Mannlicher Schönauer 72	3114/00018
SSG, Sporter (Prisma / dovetail/queue d'aronde de 18 mm)	
Mannlicher M, Luxus L, M, S	
Mannlicher L	3114/00086
Mannlicher Schönauer GK	3114/00093
SBS 96 CSP L/M, Pro Hunter L/M	3114/00034
SBS 96 CSP S Pro Hunter S	3114/00202
SBS 96 Export Classic Mannlicher	3114/00302
Scout	
	3114/00176

■ Hebelschwenkmontage/**pivot mount with lever/montage pivotant à levier**

KK: Kleinkaliber/ **small calibre rifle/ arme de petit calibre**

Schlösschen und Hinterplatten

Rear Bases and Rear Plates

Serrures et embases-socles arrière



		Mod. 0/35	■ Mod. 3114
		Schlösschen rear bases serrures	Hinterplatten f. 14,5 mm-Prisma rear plates f. 14.5 mm dovetail embases-socles pour queue d'aronde de 14,5 mm
		EAW-Nr.	EAW-Nr.
Thompson	22 Classic	0/35185	
Tikka	M 76, M/LS 65, M/LS 55	0/35038	
	558, 590, 658, 690, Pupular, Continental	0/35138	
	M 595	0/35538	
	M 695	0/35638	
	T3 (siehe/see/voir Sako TRG 21/41, 22/42)		
Unique	T.G.C	0/35135	
Valmet	757, 777	0/35154	
Varberger	M 717, 757, 777, Luxus	0/35154	
Verney-Carron	Impact Auto, NT	0/35405	3114/00405
	Express		4014/00172
	Impact LA	0/35226	
Voere	2140, Titan I	0/35020	
	2165 Kufstein, 2155	0/35021	3114/00021
	2145, Titan II	0/35045	3114/00045
	2150	0/35145	
	3145, Titan Menor	0/35061	
	2185 Automat	0/35141	
	LBW	0/35264	
	STL 3	0/35127	
	Tirolerin	0/35216	3114/00216
	VEC 91	0/35134	
Waldberg	Doppelbüchse/over/under rifle/carabine juxtaposée		3114/00170
Walter	J.R.	0/35022	
Weatherby	Mark V, Europa, 300, Vanguard	0/35023	3114/00023
	Junior, Mark V cal. 270	0/35058	
Weihrauch	HW 60, 66	0/35153	
Winchester	70 Standard, 770, Target	0/35024	3114/00024
	88, 100	0/35025	
	70 Magn. - bitte hinteren Lochabstand angeben/ please indicate rear distance between bore holes /veuillez indiquer l'entraxe AR	0/35029	
	70 Magn. bitte hinteren Lochabstand angeben/ please indicate rear distance between bore holes /veuillez indiquer l'entraxe AR XTR	0/35085	
	777	0/35072	
	70 Super Shadow 223 WSSM	0/35072	
	SX Vulcan	0/35003	
	XPR	0/35235	
Zastava	70	0/35049	3114/00049
	Mini Mauser	0/35107	
Zoli, Antonio	1900	0/35305	

**Rohlinge zur Nachbearbeitung, Unterseite flach/
unmachined parts for refinishing, with flat bottom side/
pièces brutes à retoucher, à dessous plat**

	H x B x L 10 x 20 x 26 mm, ohne Bohrung/ without bore holes /sans alésages	0/3500/1026	
	H x B x L 10 x 20 x 26 mm, LA = 12,8 mm	0/3500/1026/12,8	
	H x B x L 10 x 20 x 26 mm, LA = 15,3 mm	0/3500/1026/15,3	
	H x B x L 10 x 20 x 31,5 mm, ohne Bohrung/ without bore holes /sans alésages	0/3500/1031	
	H x B x L 10 x 20 x 31,5 mm, LA = 21,9 mm	0/3500/1031/21,9	
	H x B x L 12 x 20 x 26 mm, ohne Bohrung/ without bore holes /sans alésages	0/3500/1226	
	H x B x L 12 x 20 x 26 mm, LA = 12,8 mm	0/3500/1226/12,8	

Allgemeines
General
Idées générales

Schwenkmontagen
Pivot Mounts
Montages pivotants

Aufschub-/Aufklippmontagen
Slide-on/Roll-off Mounts
Montages à glissière/basculants

Einhakmontagen
Claw Mounts
Montages à crochets

Ersatzteile und Werkzeuge
Spare Parts and Tools
Pièces de rechange et outils

Hinterplatten für Hebelschwenkmontagen

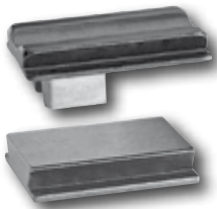
Rear Plates of Pivot Mounts with Lever

Embases-socles arrière de montages pivotants à levier

zum Umrüsten von SEM* auf Hebelschwenkmontage (siehe S. 106)

for conversion of claw mount into EAW pivot mount with lever (see p. 106)

pour conversion de montage à crochets en montage pivotant à levier (voir p. 106)



Prismenplatten für SEM*-Schlösschen/plates for rear base of claw mount/embases pour serrure de montage à crochets			
	L x B mm	BH mm	EAW-Nr.

zum Aufkleben auf ein Schlösschen, mit 14,5 mm-Prisma/ to be glued onto the rear base, with 14.5 mm dovetail /à coller sur la serrure, à queue d'aronde de 14,5 mm	26,0 x 18,0	4,0	3114/6040
---	-------------	-----	-----------

zum Aufkleben auf ein abgefrästes Schlösschen, mit 14,5 mm-Prisma/ to be glued onto the cut rear base, with 14.5 mm dovetail /à coller sur la serrure coupée, à queue d'aronde de 14,5 mm	20,0 x 18,0	4,0	3114/12
--	-------------	-----	---------



Prismenplatte für SEM*-Schlösschen/plate for rear base of claw mount/embase pour serrure de montage à crochets			
	L mm	BH mm	EAW-Nr.

zum Aufschrauben auf ein abgefrästes Schlösschen, mit 14,5 mm-Prisma/ to be screwed onto the cut rear base, with 14.5 mm dovetail /à visser sur la serrure coupée, à queue d'aronde de 14,5 mm	20,0 x 18,0	4,0	4014/12
---	-------------	-----	---------



Hinterplatte für BBF/rear plate for mixed barrel guns /embase-socle arrière pour fusils mixtes superposés			
	L mm	BH mm	EAW-Nr.

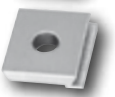
mit seitlichem Anschlag, mit Prisma 70° an den Stirnflächen zum Eintreiben von der Seite her in die Laufschiene/ with lateral stop, front with dovetail (70°), for lateral insertion into the barrel rib /avec butée latérale, front à queue d'aronde (70°), à insérer latéralement dans la bande	22	2,5	3114/00000
--	----	-----	------------



Hinterplatte für Drillinge und Doppelflinten/rear plates for drillings and side-by-side shotguns/ embase-socles pour drillings et fusils juxtaposés			
	L mm	BH mm	EAW-Nr.

Krieghoff Drilling	31	4,0	4014/00133
Sauer Drilling 3000	31	4,0	4014/00130
Suhler Drilling	31	5,2	4014/00116
Verney-Carron Express	34	3,0	4014/00172
Zoli, Antonio Drilling	54	5,0	4014/10132

mit seitlichem Anschlag, mit geraden Stirnflächen zum Einsetzen von oben in die Laufschiene. Mit Befestigungsschraube B131/ with lateral stop, straight front, for insertion into the barrel rib from the top, with set screws B131 /avec butée latérale, front droit, à poser dans la bande par le haut, avec vis de fixation B131	18	2,5	4014/00000
--	----	-----	------------



Schienenstück für BBF/rail piece for mixed barrel guns/rail pour fusils mixtes superposés			
	L mm		EAW-Nr.

	26,0		3114/02600
zum Abschneiden, für Reparatur/ to be cut, for repair work /à couper, pour travaux de réparation	110,0		3114/11000



Schienenstück für Drillinge/rail piece for drillings/rail pour drillings			
	L mm		EAW-Nr.

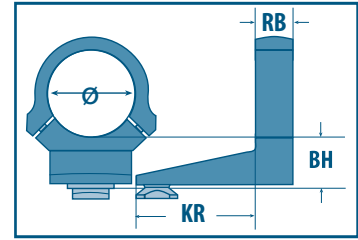
	26,0		4014/02600
zum Abschneiden, für Reparatur/ to be cut, for repair work /à couper, pour travaux de réparation	110,0		4014/11000

* SEM: Einhakmontage/claw mount/montage à crochets

Vorderfüße mit Ring

Front Feet with Ring

Pieds avant à collier



Standard	BH mm	Mod. 310 Standard				
		EAW-Nr.	EAW-Nr.	EAW-Nr.	EAW-Nr.	EAW-Nr.
		KR 17 mm	KR 22 mm	KR 26 mm	KR 38 mm	KR 45 mm
Ø 1" / 26 mm (RB 15 mm)	10,0		310/0010/22		310/0010/38	
	12,0	310/0012/17		310/0012/26	310/0012/38	310/0012/45
	14,0	310/0014/17		310/0014/26	310/0014/38	310/0014/45
	17,0	310/0017/17		310/0017/26	310/0017/38	310/0017/45
Ø 30 mm (RB 15 mm)	10,0		310/0510/22		310/0510/38	
	12,0	310/0512/17		310/0512/26	310/0512/38	310/0512/45
	14,0	310/0514/17		310/0514/26	310/0514/38	310/0514/45
	17,0	310/0517/17		310/0517/26	310/0517/38	310/0517/45



Magnum	BH mm	Mod. 310 Magnum				
		EAW-Nr.	EAW-Nr.	EAW-Nr.	EAW-Nr.	EAW-Nr.
		KR 21 mm	KR 33 mm	KR 45 mm	KR 60 mm	
Ø 1" / 26 mm (RB 20 mm)	12,0	310/1012/21	310/1012/33	310/1012/45	310/1012/60	
	14,0	310/1014/21	310/1014/33	310/1014/45	310/1014/60	
	17,0	310/1017/21	310/1017/33	310/1017/45	310/1017/60	
	20,0	310/1020/21	310/1020/33	310/1020/45	310/1020/60	
	23,0	310/1023/21	310/1023/33	310/1023/45	310/1023/60	
Ø 30 mm (RB 20 mm)	12,0	310/1512/21	310/1512/33	310/1512/45	310/1512/60	
	14,0	310/1514/21	310/1514/33	310/1514/45	310/1514/60	
	17,0	310/1517/21	310/1517/33	310/1517/45	310/1517/60	
	20,0	310/1520/21	310/1520/33	310/1520/45	310/1520/60	
	23,0	310/1523/21	310/1523/33	310/1523/45	310/1523/60	
Ø 34 mm (RB 20 mm)	14,0	310/1714/21	310/1714/33	310/1714/45		
	17,0	310/1717/21	310/1717/33	310/1717/45		
	20,0	310/1720/21	310/1720/33	310/1720/45		
	23,0	310/1723/21	310/1723/33	310/1723/45		
Ø 36 mm (RB 20 mm)	14,0	310/1814/21	310/1814/33	310/1814/45		
	17,0	310/1817/21	310/1817/33	310/1817/45		
	20,0	310/1820/21	310/1820/33	310/1820/45		
	23,0	310/1823/21	310/1823/33	310/1823/45		
Ø 40 mm (RB 20 mm)	14,0	310/1914/21	310/1914/33	310/1914/45		
	17,0	310/1917/21	310/1917/33	310/1917/45		
	20,0	310/1920/21	310/1920/33	310/1920/45		



XS	BH mm	Mod. 310 XS			
		EAW-Nr.	EAW-Nr.	EAW-Nr.	
		KR 23 mm	KR 33 mm	KR 46 mm	
Ø 1" / 26 mm (RB 20 mm)	12,0	310/3012/23	310/3012/33	310/3012/46	
	14,0	310/3014/23	310/3014/33	310/3014/46	
	17,0	310/3017/23	310/3017/33	310/3017/46	
Ø 30 mm (RB 20 mm)	12,0	310/3512/23	310/3512/33	310/3512/46	
	14,0	310/3514/23	310/3514/33	310/3514/46	
	17,0	310/3517/23	310/3517/33	310/3517/46	
Ø 34 mm (RB 20 mm)	14,0	310/3714/23	310/3714/33		
	17,0	310/3717/23	310/3717/33		
Ø 36 mm (RB 20 mm)	14,0	310/3814/23	310/3814/33		
	17,0	310/3817/23	310/3817/33		
Ø 40 mm (RB 20 mm)	14,0	310/3914/23	310/3914/33		
	17,0	310/3917/23	310/3917/33		

Allgemeines
General
Idées générales

Schwenkmontagen
Pivot Mounts
Montages pivotants

Aufschub-/Aufklippmontagen
Slide-on/Roll-off Mounts
Montages à glissière/basculants

Einhakmontagen
Claw Mounts
Montages à crochets

Ersatzteile und Werkzeuge
Spare Parts and Tools
Pièces de rechange et outils

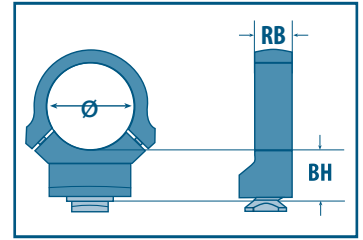


Drehzapfen mit Übermaß siehe S. 116
pivot pin, oversized, see p. 116
pivot en surmesure voir p. 116

Vorderfüße mit Ring

Front Feet with Ring

Pieds avant à collier



Standard	Ø mm (RB mm)	BH mm	Mod. 311 Standard gerade/straight/droit	
			EAW-Nr.	
	Ø 1"/26 mm (RB 15 mm)	12,0	311/0012	
		14,0	311/0014	
		17,0	311/0017	
	Ø 30 mm (RB 15 mm)	12,0	311/0512	
		14,0	311/0514	
		17,0	311/0517	



Magnum	Ø mm (RB mm)	BH mm	Mod. 311 Magnum gerade/straight/droit		
			EAW-Nr.		
	Ø 1"/26 mm (RB 20 mm)	12,0	311/1012		
		14,0	311/1014		
		17,0	311/1017		
		20,0	311/1020		
		23,0	311/1023		
		BH mm			
	Ø 30 mm (RB 20 mm)	12,0	311/1512		
		14,0	311/1514		
		17,0	311/1517		
		20,0	311/1520		
		23,0	311/1523		
		BH mm			
	Ø 34 mm (RB 20 mm)	14,0	311/1714		
		17,0	311/1717		
		23,0	311/1723		
		Ø 36 mm (RB 20 mm)	BH mm		
			14,0	311/1814	
			17,0	311/1817	
20,0			311/1820		
	Ø 40 mm (RB 20 mm)	23,0	311/1823		
		BH mm			
	Ø 40 mm (RB 20 mm)	14,0	311/1914		
		17,0	311/1917		
		20,0	311/1920		



XS	Ø mm (RB mm)	BH mm	Mod. 311 XS gerade/straight/droit		
			EAW-Nr.		
	Ø 1"/26 mm (RB 20 mm)	12,0	311/3012		
		14,0	311/3014		
		17,0	311/3017		
		BH mm			
		Ø 30 mm (RB 20 mm)	12,0	311/3512	
			14,0	311/3514	
	17,0		311/3517		
		Ø 34 mm (RB 20 mm)	BH mm		
			14,0	311/3714	
		Ø 36 mm (RB 20 mm)	17,0	311/3717	
			BH mm		
		Ø 36 mm (RB 20 mm)	14,0	311/3814	
			17,0	311/3817	
		Ø 40 mm (RB 20 mm)	BH mm		
			14,0	311/3914	
		Ø 40 mm (RB 20 mm)	17,0	311/3917	

Allgemeines
General
Idées générales

Schwenkmontagen
Pivot Mounts
Montages pivotants

Aufschub-/Aurkippmontagen
Slide-on/Roll-off Mounts
Montages à glissière/basculants

Einhakmontagen
Claw Mounts
Montages à crochets

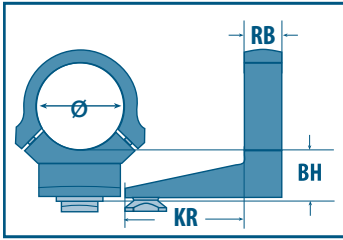
Ersatzteile und Werkzeuge
Spare Parts and Tools
Pièces de rechange et outils



Vorderfüße mit Ring, ohne Gelenk

Front Feet with Ring, without Joint

Pieds avant à collier, sans jointure



			Mod. 309		
			gerade/straight/droit	KR 17 mm	KR 23 mm
Ø mm	BH mm	RB mm	EAW-Nr.	EAW-Nr.	EAW-Nr.
30,0	8,0	20,0	309/3300		
30,0	10,0	20,0	309/0300		
36,0	7,5	20,0	309/1360		
37,0	7,5	20,0	309/1370		
38,0	7,5	20,0	309/1380		
40,0	7,5	20,0	309/1400		
40,0	8,0	20,0		309/1400/17	309/1400/23
41,0	7,5	20,0	309/1410		
42,0	4,5	20,0	309/1420		
42,0	7,5	20,0	309/2420		
42,0	8,0	20,0		309/1420/17	309/1420/23
42,0	10,0	20,0	309/4420		
44,0	4,5	20,0	309/1440		
46,0	5,5	20,0	309/1460		
46,0	8,0	20,0		309/1460/17	309/1460/23
47,0	4,5	20,0	309/1470		
48,0	4,5	20,0	309/1480		
48,0	7,5	20,0	309/2480		
48,0	8,0	20,0		309/1480/17	309/1480/23
48,0	9,5	20,0	309/4480		
50,0	4,5	20,0	309/1500		
50,0	8,0	20,0		309/1500/17	309/1500/23
50,0	9,5	20,0	309/4500		
51,0	4,5	20,0	309/1510		
52,0	4,5	20,0	309/1520		
52,0	7,5	20,0	309/2520		
54,0	4,5	20,0	309/1540		
54,0	7,5	20,0	309/2540		
54,0	8,0	20,0		309/1540/17	309/1540/23
54,0	9,5	20,0	309/4540		
56,0	4,5	20,0	309/1560		
56,0	7,5	20,0	309/2560		
56,0	8,0	20,0		309/1560/17	309/1560/23
57,0	4,5	20,0	309/1570		
57,0	7,5	20,0	309/2570		
57,0	8,0	20,0		309/1570/17	309/1570/23
58,0	4,5	20,0	309/1580		
58,0	7,5	20,0	309/2580		
58,0	8,0	20,0		309/1580/17	309/1580/23
59,0	4,5	20,0	309/1590		
60,0	4,5	20,0	309/1600		
61,0	4,0	20,0	309/1610		
61,0	8,0	20,0		309/1610/17	309/1610/23
62,0	4,0	20,0	309/1620		
62,0	7,5	20,0	309/2620		
62,0	8,0	20,0		309/1620/17	309/1620/23
62,5	4,0	20,0	309/1625		
62,5	8,0	20,0		309/1625/17	309/1625/23
63,0	4,0	20,0	309/1630		
63,0	8,0	20,0		309/1630/17	309/1630/23
64,0	4,0	20,0	309/1640		
64,0	8,0	20,0		309/1640/17	309/1640/23
65,0	4,0	20,0	309/1650		
65,0	8,0	20,0		309/1650/17	309/1650/23
66,0	4,0	20,0	309/1660		
66,0	8,0	20,0		309/1660/17	309/1660/23
67,0	4,0	20,0	309/1670		
74,0	4,0	20,0	309/1740		
80,0	4,0	20,0	309/1800		

andere Ø auf Anfrage
other Ø on request
autres Ø sur demande



Drehzapfen mit Übermaß siehe S. 116
pivot pin, oversized, see p. 116
pivot en surmesure voir p. 116

Allgemeines
General
Idées générales

Schwenkmontagen
Pivot Mounts
Montages pivotants

Aufschub-/Aufklippmontagen
Slide-on/Roll-off Mounts
Montages à glissière/basculants

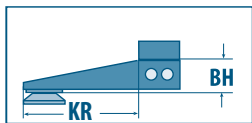
Einhakmontagen
Claw Mounts
Montages à crochets

Ersatzteile und Werkzeuge
Spare Parts and Tools
Pièces de rechange et outils

Vorderfüße für Zielfernrohre mit Schiene

Front Feet for Scopes with Rail

Pieds avant pour lunettes de visée avec rail



Mod. 401
ohne vertikalen Toleranzausgleich/**no adjustment of vertical tolerances**/sans compensation de tolérances verticales

BH mm	KR 20 mm		gerade/ straight /droit
	EAW-Nr.	EAW-Nr.	EAW-Nr.
2,5			401/0025
3,0		401/0030/20	401/0030
3,5			401/0035
5,5			401/0055
8,0		401/0080/20	401/0080



Mod. 405
mit vertikalem Toleranzausgleich/**with adjustment of vertical tolerances**/avec compensation de tolérances verticales

BH mm	KR 20 mm		KR 31 mm	KR 45 mm	KR 60 mm	gerade/ straight /droit
	EAW-Nr.	EAW-Nr.	EAW-Nr.	EAW-Nr.	EAW-Nr.	EAW-Nr.
12,0	405/0120/20		405/0120/31	405/0120/45	405/0120/60	406/0120
14,0	405/0140/20		405/0140/31	405/0140/45	405/0140/60	406/0140

zum Klemmen
for clamping
à serrer



Mod. 405
mit vertikalem Toleranzausgleich/**with adjustment of vertical tolerances**/
avec compensation de tolérances verticales

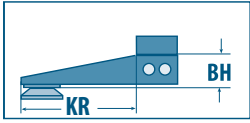
BH mm	KR 22 mm		KR 32 mm	KR 45 mm
	EAW-Nr.	EAW-Nr.	EAW-Nr.	EAW-Nr.
14,0	405/1140/22		405/1140/32	405/1140/45



Mod. 405
mit vertikalem Toleranzausgleich/**with adjustment of vertical tolerances**/avec compensation de tolérances verticales

BH mm	KR 20 mm		KR 31 mm	KR 45 mm	gerade/ straight /droit
	EAW-Nr.	EAW-Nr.	EAW-Nr.	EAW-Nr.	EAW-Nr.
12,0	405/3120/21		405/3120/31	405/3120/44	406/3120
14,0	405/3140/21		405/3140/31	405/3140/44	406/3140





Schmidt & Bender Convex Burris

auf Anfrage – solange Vorrat reicht
on request, while stocks last
sur demande, jusqu'à épuisement du stock



Standard		Mod. 1401 ohne vertikalen Toleranzausgleich/ no adjustment of vertical tolerances /sans compensation de tolérances verticales					
		BH mm	KR 20 mm EAW-Nr.		KR 35 mm EAW-Nr.		
		10,0	1401/1100/20		1401/1100/35		

Standard		Mod. 1405 mit vertikalem Toleranzausgleich/ with adjustment of vertical tolerances /avec compensation de tolérances verticales					Mod. 1406 gerade/ straight /droit	
		BH mm	KR 22 mm EAW-Nr.	KR 32 mm EAW-Nr.	KR 39 mm EAW-Nr.	KR 45 mm EAW-Nr.	KR 60 mm EAW-Nr.	EAW-Nr.
		12,0	1405/1120/22	1405/1120/32	1405/1120/39	1405/1120/45	1405/1120/60	1406/1120
		14,0	1405/1140/22	1405/1140/32	1405/1140/39	1405/1140/45	1405/1140/60	1406/1140
		17,0	1405/1170/22	1405/1170/32	1405/1170/39	1405/1170/45	1405/1170/60	1406/1170



XS		Mod. 1405 mit vertikalem Toleranzausgleich/ with adjustment of vertical tolerances /avec compensation de tolérances verticales					Mod. 1406 gerade/ straight /droit
		BH mm	KR 23 mm EAW-Nr.	KR 31 mm EAW-Nr.	KR 44 mm EAW-Nr.	EAW-Nr.	EAW-Nr.
		12,0	1405/3120/23	1405/3120/31	1405/3120/44	1406/3120	



Standard		Mod. 2401 ohne vertikalen Toleranzausgleich/ no adjustment of vertical tolerances /sans compensation de tolérances verticales			
		BH mm	KR 20 mm EAW-Nr.		KR 35 mm EAW-Nr.
		10,0	2401/0100/20		2401/0100/35

Standard		Mod. 2405 mit vertikalem Toleranzausgleich/ with adjustment of vertical tolerances /avec compensation de tolérances verticales			Mod. 2406 gerade/ straight /droit	
		BH mm	KR 21 mm EAW-Nr.	KR 32 mm EAW-Nr.	KR 45 mm EAW-Nr.	EAW-Nr.
		10,0	2405/0100/21	2405/0100/32	2405/0100/45	2406/0100
		12,0	2405/0120/21	2405/0120/32	2405/0120/45	2406/0120



Standard		Mod. 2405 mit vertikalem Toleranzausgleich/ with adjustment of vertical tolerances /avec compensation de tolérances verticales				Mod. 2406 gerade/ straight /droit
		BH mm	KR 21 mm EAW-Nr.	KR 32 mm EAW-Nr.	KR 45 mm EAW-Nr.	EAW-Nr.
		10,0	2405/0100/21	2405/0100/32	2405/0100/45	2406/0100
		12,0	2405/0120/21	2405/0120/32	2405/0120/45	2406/0120



XS		Mod. 2405 mit vertikalem Toleranzausgleich/ with adjustment of vertical tolerances /avec compensation de tolérances verticales			Mod. 2406 gerade/ straight /droit
		BH mm	KR 21 mm EAW-Nr.	KR 32 mm EAW-Nr.	EAW-Nr.
		12,0	2405/3120/21	2405/3120/32	2406/3120



Allgemeines
General
Idées générales

Schwenkmontagen
Pivot Mounts
Montages pivotants

Aufschub-/Aufklippmontagen
Slide-on/Roll-off Mounts
Montages à glissière/basculants


Einhakmontagen
Claw Mounts
Montages à crochets

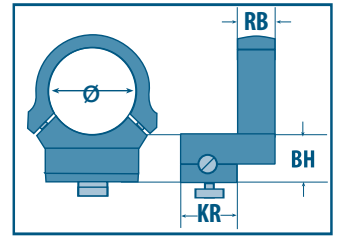
Ersatzteile und Werkzeuge
Spare Parts and Tools
Pièces de rechange et outils



Drehzapfen mit Übermaß siehe S. 116
pivot pin, oversized, see p. 116
pivot en surmesure voir p. 116

HinterfüÙe mit Ring Rear Feet with Ring Pieds arrière à collier

 nicht für Hebelschwenkmontagen!
not suited for pivot mounts with lever!
ne pas utilisables pour montages pivotants à levier!



mit Support/**with support**/*avec support*



Allgemeines
General
Idées générales

Schwenkmontagen
Pivot Mounts
Montages pivotants

Aufschub-/Aufklippmontagen
Slide-on/Roll-off Mounts
Montages à glissière/basculants

Einhakmontagen
Claw Mounts
Montages à crochets

Ersatzteile und Werkzeuge
Spare Parts and Tools
Pièces de rechange et outils


Mod. 316					
gerade/straight/droit					
	Ø 1"/26 mm	Ø 30 mm	Ø 34 mm	Ø 36 mm	Ø 40 mm
RB mm	15	15	15	15	20
BH mm	EAW-Nr.	EAW-Nr.	EAW-Nr.	EAW-Nr.	EAW-Nr.
7,5	316/0075	316/5075			
8,0	316/0080	316/5080			
8,5	316/0085	316/5085			
9,0	316/0090	316/5090			
9,5	316/0095	316/5095			
10,0	316/0100	316/5100			
10,5	316/0105	316/5105	316/7105	316/8105	316/9105
11,0	316/0110	316/5110	316/7110	316/8110	316/9110
11,5	316/0115	316/5115	316/7115	316/8115	316/9115
12,0	316/0120	316/5120	316/7120	316/8120	316/9120
12,5	316/0125	316/5125	316/7125	316/8125	316/9125
13,0	316/0130	316/5130	316/7130	316/8130	316/9130
13,5	316/0135	316/5135	316/7135	316/8135	316/9135
14,0	316/0140	316/5140	316/7140	316/8140	316/9140
14,5	316/0145	316/5145	316/7145	316/8145	316/9145
15,0	316/0150	316/5150	316/7150	316/8150	316/9150
15,5	316/0155	316/5155	316/7155	316/8155	316/9155
16,0	316/0160	316/5160	316/7160	316/8160	316/9160
16,5	316/0165	316/5165	316/7165	316/8165	316/9165
17,0	316/0170	316/5170	316/7170	316/8170	316/9170
17,5	316/0175	316/5175	316/7175	316/8175	316/9175
18,0	316/0180	316/5180	316/7180	316/8180	316/9180
18,5	316/0185	316/5185	316/7185	316/8185	316/9185
19,0	316/0190	316/5190	316/7190	316/8190	316/9190
19,5	316/0195	316/5195	316/7195	316/8195	316/9195
20,0	316/0200	316/5200	316/7200	316/8200	316/9200
20,5	316/0205	316/5205	316/7205	316/8205	316/9205
21,0	316/0210	316/5210	316/7210	316/8210	316/9210
21,5	316/0215	316/5215	316/7215	316/8215	316/9215
22,0	316/0220	316/5220	316/7220	316/8220	316/9220
22,5	316/0225	316/5225	316/7225	316/8225	
23,0	316/0230	316/5230	316/7230	316/8230	
23,5	316/0235	316/5235	316/7235	316/8235	
24,0	316/0240	316/5240	316/7240	316/8240	
24,5	316/0245	316/5245	316/7245	316/8245	
25,0	316/0250	316/5250	316/7250	316/8250	

Mod. 320			
KR 20 mm			
	Ø 1"/26 mm	Ø 30 mm	Ø 40 mm
RB mm	15	15	15
BH mm	EAW-Nr.	EAW-Nr.	EAW-Nr.
8,5	320/0085/20	320/5085/20	320/7085/20
9,0	320/0090/20	320/5090/20	320/7090/20
9,5	320/0095/20	320/5095/20	320/7095/20
10,0	320/0100/20	320/5100/20	320/7100/20
10,5	320/0105/20	320/5105/20	320/7105/20
11,0	320/0110/20	320/5110/20	320/7110/20
11,5	320/0115/20	320/5115/20	320/7115/20
12,0	320/0120/20	320/5120/20	320/7120/20
12,5	320/0125/20	320/5125/20	320/7125/20
13,0	320/0130/20	320/5130/20	320/7130/20
13,5	320/0135/20	320/5135/20	320/7135/20
14,0	320/0140/20	320/5140/20	320/7140/20
14,5	320/0145/20	320/5145/20	320/7145/20
15,0	320/0150/20	320/5150/20	320/7150/20
15,5	320/0155/20	320/5155/20	320/7155/20
16,0	320/0160/20	320/5160/20	320/7160/20
16,5	320/0165/20	320/5165/20	320/7165/20
17,0	320/0170/20	320/5170/20	320/7170/20
17,5	320/0175/20	320/5175/20	320/7175/20
18,0	320/0180/20	320/5180/20	320/7180/20
18,5	320/0185/20	320/5185/20	320/7185/20
19,0	320/0190/20	320/5190/20	320/7190/20
19,5	320/0195/20	320/5195/20	320/7195/20

Hinterfüße mit Ring, mit 20 MOA Vorneigung

Rear Feet with Ring, with 20 MOA Inclination

Pieds arrière à collier, avec inclinaison de 20 MOA


 nicht für Hebelschwenkmontagen!
 not suited for
 pivot mounts with lever!
 ne pas utilisables pour montages
 pivotants à levier!

mit Support/**with support**/avec support



		Mod. 316 MOA				
		gerade/straight/droit				
	Ø 1"/26 mm	Ø 30 mm	Ø 34 mm	Ø 36 mm	Ø 40 mm	
RB mm	15	15	15	15	20	
BH mm	EAW-Nr.	EAW-Nr.	EAW-Nr.	EAW-Nr.	EAW-Nr.	
9,5	316/0095+20	316/5095+20				
10,0	316/0100+20	316/5100+20				
10,5	316/0105+20	316/5105+20				
11,0	316/0110+20	316/5110+20				
11,5	316/0115+20	316/5115+20				
12,0	316/0120+20	316/5120+20				
12,5	316/0125+20	316/5125+20	316/7125+20	316/8125+20	316/9125+20	
13,0	316/0130+20	316/5130+20	316/7130+20	316/8130+20	316/9130+20	
13,5	316/0135+20	316/5135+20	316/7135+20	316/8135+20	316/9135+20	
14,0	316/0140+20	316/5140+20	316/7140+20	316/8140+20	316/9140+20	
14,5	316/0145+20	316/5145+20	316/7145+20	316/8145+20	316/9145+20	
15,0	316/0150+20	316/5150+20	316/7150+20	316/8150+20	316/9150+20	
15,5	316/0155+20	316/5155+20	316/7155+20	316/8155+20	316/9155+20	
16,0	316/0160+20	316/5160+20	316/7160+20	316/8160+20	316/9160+20	
16,5	316/0165+20	316/5165+20	316/7165+20	316/8165+20	316/9165+20	
17,0	316/0170+20	316/5170+20	316/7170+20	316/8170+20	316/9170+20	
17,5	316/0175+20	316/5175+20	316/7175+20	316/8175+20	316/9175+20	
18,0	316/0180+20	316/5180+20	316/7180+20	316/8180+20	316/9180+20	
18,5	316/0185+20	316/5185+20	316/7185+20	316/8185+20	316/9185+20	
19,0	316/0190+20	316/5190+20	316/7190+20	316/8190+20	316/9190+20	
19,5	316/0195+20	316/5195+20	316/7195+20	316/8195+20	316/9195+20	
20,0	316/0200+20	316/5200+20	316/7200+20	316/8200+20	316/9200+20	
20,5	316/0205+20	316/5205+20	316/7205+20	316/8205+20	316/9205+20	
21,0	316/0210+20	316/5210+20	316/7210+20	316/8210+20	316/9210+20	
21,5	316/0215+20	316/5215+20	316/7215+20	316/8215+20	316/9215+20	
22,0			316/7220+20	316/8220+20	316/9220+20	

Allgemeines
 General
 Idées générales

Schwenkmontagen
 Pivot Mounts
 Montages pivotants

Aufschub-/Aufklippmontagen
 Slide-on/Roll-off Mounts
 Montages à glissière/basculants

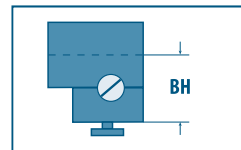
Einhakmontagen
 Claw Mounts
 Montages à crochets

Ersatzteile und Werkzeuge
 Spare Parts and Tools
 Pièces de rechange et outils

Hinterfüße für Zielfernrohre mit Schiene

Rear Feet for Scopes with Rail

Pieds arrière pour lunettes de visée avec rail



! nicht für Hebelschwenkmontagen!
not suited for
pivot mounts with lever!
 ne pas utilisables pour montages
 pivotants à levier!



	Mod. 410	410/1	Mod. 414	Mod. 1410	Mod. 1414	Mod. 2410	Mod. 2414
	zum Klemmen/for clamping/à serrer 1)						
mit Support/with support/avec support							
	gerade/straight/droit	gerade/straight/droit	KR 17 mm	gerade/straight/droit	KR 17 mm	gerade/straight/droit	KR 17 mm
BH mm	EAW-Nr.	EAW-Nr.	EAW-Nr.	EAW-Nr.	EAW-Nr.	EAW-Nr.	EAW-Nr.
7,5				1410/0075	1414/0075/17	2410/0075	2414/0075/17
8,0	410/0080			1410/0080	1414/0080/17	2410/0080	2414/0080/17
8,5	410/0085		414/0085/17	1410/0085	1414/0085/17	2410/0085	2414/0085/17
9,0	410/0090		414/0090/17	1410/0090	1414/0090/17	2410/0090	2414/0090/17
9,5	410/0095		414/0095/17	1410/0095	1414/0095/17	2410/0095	2414/0095/17
10,0	410/0100		414/0100/17	1410/0100	1414/0100/17	2410/0100	2414/0100/17
10,5	410/0105	410/1105	414/0105/17	1410/0105	1414/0105/17	2410/0105	2414/0105/17
11,0	410/0110	410/1110	414/0110/17	1410/0110	1414/0110/17	2410/0110	2414/0110/17
11,5	410/0115	410/1115	414/0115/17	1410/0115	1414/0115/17	2410/0115	2414/0115/17
12,0	410/0120	410/1120	414/0120/17	1410/0120	1414/0120/17	2410/0120	2414/0120/17
12,5	410/0125	410/1125	414/0125/17	1410/0125	1414/0125/17	2410/0125	2414/0125/17
13,0	410/0130	410/1130	414/0130/17	1410/0130	1414/0130/17	2410/0130	2414/0130/17
13,5	410/0135	410/1135	414/0135/17	1410/0135	1414/0135/17	2410/0135	2414/0135/17
14,0	410/0140	410/1140	414/0140/17	1410/0140	1414/0140/17	2410/0140	2414/0140/17
14,5	410/0145	410/1145	414/0145/17	1410/0145	1414/0145/17	2410/0145	2414/0145/17
15,0	410/0150	410/1150	414/0150/17	1410/0150	1414/0150/17	2410/0150	2414/0150/17
15,5	410/0155	410/1155	414/0155/17	1410/0155	1414/0155/17	2410/0155	2414/0155/17
16,0	410/0160	410/1160	414/0160/17	1410/0160	1414/0160/17	2410/0160	2414/0160/17
16,5	410/0165	410/1165	414/0165/17	1410/0165	1414/0165/17	2410/0165	2414/0165/17
17,0	410/0170		414/0170/17				
17,5	410/0175		414/0175/17				
18,0	410/0180		414/0180/17				
18,5	410/0185		414/0185/17				
19,0	410/0190		414/0190/17				
19,5	410/0195		414/0195/17				
20,0	410/0200						
20,5	410/0205						
21,0	410/0210						
21,5	410/0215						
22,0	410/0220						
22,5	410/0225						
23,0	410/0230						

! Hebelschwenkmontage
pivot mount with lever
 montage pivotant à levier



	Mod. 614	Mod. 1614
	für 14 mm-Prisma, ohne Support/for 14 mm dovetail, without support/pour queue d'aronde de 14 mm, sans support	
BH mm	EAW-Nr.	EAW-Nr.
8,0	614/0080	1614/0080
8,5	614/0085	1614/0085
9,0	614/0090	1614/0090
9,5	614/0095	1614/0095
10,0	614/0100	1614/0100
10,5	614/0105	1614/0105
11,0	614/0110	1614/0110
11,5	614/0115	1614/0115
12,0	614/0120	1614/0120
12,5	614/0125	1614/0125
13,0	614/0130	1614/0130
14,0		1614/0140
14,5		1614/0145

1) kein Bohren erforderlich! / no drilling required! / pas de perçage!

Allgemeines
 General
 Idées générales

Schwenkmontagen
 Pivot Mounts
 Montages pivotants

Aufschub-/Aurkippmontagen
 Slide-on/Roll-off Mounts
 Montages à glissière/basculants

Einhakmontagen
 Claw Mounts
 Montages à crochets

Ersatzteile und Werkzeuge
 Spare Parts and Tools
 Pièces de rechange et outils

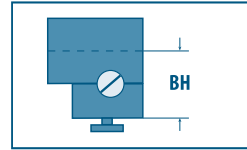
Hinterfüße für Zielfernrohre, mit Schiene, mit 20 MOA Vorneigung

Rear Feet for Scopes with Rail, with 20 MOA Inclination

Pieds arrière pour lunettes de visée avec rail, avec inclinaison de 20 mm



nicht für Hebelschwenkmontagen!
not suited for
pivot mounts with lever!
ne pas utilisables pour montages
pivotants à levier!



	Mod. 1410 MOA	Mod. 1414 MOA	Mod. 2410 MOA	Mod. 2414 MOA
mit Support/with support/avec support				
	gerade/straight/droit	KR 21 mm	gerade/straight/droit	KR 21 mm
BH mm	EAW-Nr.	EAW-Nr.	EAW-Nr.	EAW-Nr.
9,5	1410/0095+20		2410/0095+20	
10,0	1410/0100+20	1414/0100+20	2410/0100+20	
10,5	1410/0105+20	1414/0105+20	2410/0105+20	2414/0105+20
11,0	1410/0110+20	1414/0110+20	2410/0110+20	2414/0110+20
11,5	1410/0115+20	1414/0115+20	2410/0115+20	2414/0115+20
12,0	1410/0120+20	1414/0120+20	2410/0120+20	2414/0120+20
12,5	1410/0125+20	1414/0125+20	2410/0125+20	2414/0125+20
13,0	1410/0130+20	1414/0130+20	2410/0130+20	2414/0130+20
13,5	1410/0135+20	1414/0135+20	2410/0135+20	2414/0135+20
14,0	1410/0140+20	1414/0140+20	2410/0140+20	2414/0140+20
14,5	1410/0145+20		2410/0145+20	
15,0	1410/0150+20		2410/0150+20	
15,5	1410/0155+20		2410/0155+20	
16,0	1410/0160+20		2410/0160+20	
16,5	1410/0165+20		2410/0165+20	
17,0	1410/0170+20		2410/0170+20	
17,5	1410/0175+20		2410/0175+20	

Schmidt & Bender Convex Burris

auf Anfrage – solange Vorrat reicht
on request, while stocks last
sur demande, jusqu'à épuisement du stock

Allgemeines
General
Idées générales

Schwenkmontagen
Pivot Mounts
Montages pivotants

Aufschub-/Aufklippmontagen
Slide-on/Roll-off Mounts
Montages à glissière/basculants

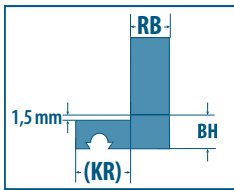
Einhakmontagen
Claw Mounts
Montages à crochets

Ersatzteile und Werkzeuge
Spare Parts and Tools
Pièces de rechange et outils

Hinterfuß-Oberteile

Rear Foot Tops

Parties supérieures de pied arrière



! für Schwenk- u. Einhakmontagen!
 for pivot mounts and claw mounts!
 pour montages pivotants et montages à crochets!

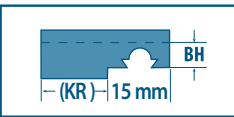


Mod. 318 gerade/straight/droit					
	Ø 1"/26 mm	Ø 30 mm	Ø 34 mm	Ø 36 mm	Ø 40 mm
RB mm	15	15	15	15	20
BH mm	EAW-Nr.	EAW-Nr.	EAW-Nr.	EAW-Nr.	EAW-Nr.
4,0	318/0040	318/5040			
4,5	318/0045	318/5045			
5,0	318/0050	318/5050			
5,5	318/0055	318/5055			
6,0	318/0060	318/5060			
6,5	318/0065	318/5065			
7,0	318/0070	318/5070	318/7070	318/8070	318/9070
7,5	318/0075	318/5075			
8,0	318/0080	318/5080	318/7080	318/8080	318/9080
8,5	318/0085	318/5085			
9,0	318/0090	318/5090	318/7090	318/8090	318/9090
9,5	318/0095	318/5095			
10,0	318/0100	318/5100	318/7100	318/8100	318/9100
10,5	318/0105	318/5105			
11,0	318/0110	318/5110			
11,5	318/0115	318/5115			
12,0	318/0120	318/5120			
12,0					
12,5	318/0125	318/5125			
13,0			318/7130	318/8130	

gekröpft/extended/coude			
	Ø 1"/26 mm	Ø 30 mm	Ø 34 mm
RB mm	15	15	15
KR mm	EAW-Nr.	EAW-Nr.	EAW-Nr.
20	322/0045/20	322/5045/20	
20	322/0050/20	322/5050/20	
20	322/0055/20	322/5055/20	
20	322/0065/20*	322/5065/20*	
20			
20	322/0080/20*	322/5080/20*	322/7080/20*
			322/7090/20*
30	322/0120/30*	322/5120/30*	
40	322/0120/40*	322/5120/40*	
			322/5130/30**

* Diese Modelle sind geeignet für Zielfernrohre mit Verstärkung unter der Höhen- und Seitenverstellung, Freifräsung 1,5 mm
These models are suited for scopes with reinforced central tube below the turret (reticle adjustment) and have a 1.5 mm recess.
 Ces modèles sont appropriés aux lunettes renforcées au tube central, au-dessous de la tourelle de réglage du réticule, et ont un évidement de 1,5 mm.

** für Swarovski Z6i EE (extended eye relief)
for Swarovski Z6i EE (extended eye relief)
 pour Swarovski Z6i EE (à distance œil-oculaire élargie)



BH mm	Mod. 416 mit 1 Querschraube with 1 cross screw avec 1 vis transversale	Mod. 420 mit 2 Querschrauben with 2 cross screws avec 2 vis transversales	Mod. 412 zum Klemmen, kein Bohren erforderlich! for clamping, no drilling required! à serrer, pas de perçage!
	gerade/straight/droit	KR 17 mm	gerade/straight/droit
EAW-Nr.	EAW-Nr.	EAW-Nr.	EAW-Nr.
4,25	416/0042		
4,5	416/0045		
5,0	416/0050	420/0050/17	
5,5	416/0055		
6,0	416/0060	420/0060/17	
6,5	416/0065		
7,0	416/0070		412/1070
7,5	416/0075		412/1075
8,0	416/0080		412/1080
8,5	416/0085		
9,0	416/0090		
9,5	416/0095		
10,0	416/0100		
10,5	416/0105		

Allgemeines
General
Idées générales

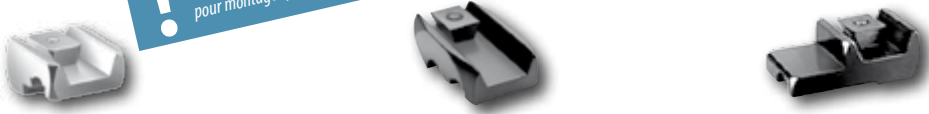
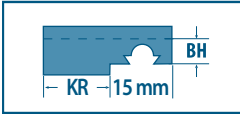
Schwenkmontagen
Pivot Mounts
Montages pivotants

Aufschub-/Aufklippmontagen
Slide-on/Roll-off Mounts
Montages à glissière/basculants

Einhakmontagen
Claw Mounts
Montages à crochets

Ersatzteile und Werkzeuge
Spare Parts and Tools
Pièces de rechange et outils

! für Schwenk- u. Einhakmontagen!
for pivot mounts and claw mounts!
pour montages pivotants et montages à crochets!



BH mm	Mod. 1412	Mod. 1420	Mod. 1222
	KR 11 mm	KR 21 mm	Männlicher Schönauer GK gerade/straight/droit
	EAW-Nr.	EAW-Nr.	EAW-Nr.
4,0	1412/0040/11		
4,5	1412/0045/11		
5,0	1412/0050/11	1420/0050/21	
5,5	1412/0055/11		
6,0	1412/0060/11		
6,5	1412/0065/11		
6,7			1222/2067
7,0	1412/0070/11		
7,5	1412/0075/11		
8,0	1412/0080/11		



BH mm	Mod. 2412	Mod. 2420		Mod. 2222
	KR 11 mm	KR 21 mm	KR 31 mm	Männlicher Schönauer GK gerade/straight/droit
	EAW-Nr.	EAW-Nr.	EAW-Nr.	EAW-Nr.
4,0	2412/0040/11			
4,5	2412/0045/11			
5,0	2412/0050/11	2420/0050/21		
5,5	2412/0055/11			
6,0	2412/0060/11			
6,5	2412/0065/11			
6,7				2222/2067
7,0	2412/0070/11		* 2420/0070/31 *	
7,5	2412/0075/11			
8,0	2412/0080/11			

Schmidt & Bender Convex Burris
 auf Anfrage – solange Vorrat reicht
 on request, while stocks last
 sur demande, jusqu'à épuisement du stock

* für Swarovski SR-Zielfernrohr Z6 EE ohne Okulardämpfer
 for Swarovski SR scope Z6 EE without shock absorption
 pour lunette Swarovski SR Z6 EE sans absorption de choc

Allgemeines
 General
 Idées générales

 Schwenkmontagen
 Pivot Mounts
 Montages pivotants

 Aufschub-/Aufklippmontagen
 Slide-on/Roll-off Mounts
 Montages à glissière/basculants

 Einhakmontagen
 Claw Mounts
 Montages à crochets

 Ersatzteile und Werkzeuge
 Spare Parts and Tools
 Pièces de rechange et outils

Hinterfuß-Unterteile

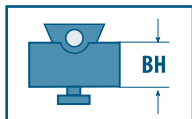
Rear Foot Sub-bases

Parties inférieures de pied arrière

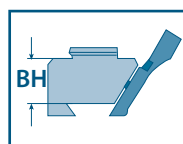
Als Faustregel gilt: Wird die Bauhöhe des Hinterfußes um 0,5 mm abgeändert, führt dies zu einer Veränderung der Trefferlage um ca. 0,5 m auf eine Entfernung von 100 m.

As a rule of thumb, if the rear foot height is altered by 0.5 mm, this causes a shift of approx. 0.5 m in the point of impact over a distance of 100 m.

En règle générale, une modification de hauteur de 0,5 mm sur le pied arrière cause une altération du point d'impact de 0,5 m sur une distance de 100 m.







Mod. 0/0	
Hinterfuß-Unterteil/rear foot sub-base/partie inférieure de pied arrière	
BH mm	EAW-Nr.
3,5	0/0035
4,0	0/0040
4,5	0/0045
5,0	0/0050
5,5	0/0055
6,0	0/0060
6,5	0/0065
7,0	0/0070
7,5	0/0075
8,0	0/0080
8,5	0/0085
9,0	0/0090
9,5	0/0095
10,0	0/0100
10,5	0/0105
11,0	0/0110
11,5	0/0115
12,0	0/0120
12,5	0/0125
13,0	0/0130
13,5	0/0135
14,0	0/0140
14,5	0/0145
15,0	0/0150



! für Hebelschwenkmontagen!
for pivot mounts with lever!
pour montages pivotants à levier!

BH mm	Mod. 2611 für 11 mm-Prisma for 11 mm dovetail pour queue d'aronde de 11 mm		Mod. 2614 für 14 mm-Prisma for 14 mm dovetail pour queue d'aronde de 14 mm		Mod. 2512 für Ruger for Ruger	Mod. 2616 für 16 mm-Prisma for 16 mm dovetail pour queue d'aronde de 16 mm (Tikka)	Mod. 2619 für 19 mm-Prisma for 19 mm dovetail pour queue d'aronde de 19 mm (BRNO/CZ)
	KR 7 mm EAW-Nr.	KR 16 mm EAW-Nr.	KR 7 mm EAW-Nr.	KR 16 mm EAW-Nr.	KR 7 mm EAW-Nr.	gerade/straight/droit EAW-Nr.	gerade/straight/droit EAW-Nr.
5,0		2611/0050		2614/0050			
5,5				2614/0055			
6,0		2611/0060		2614/0060			
6,5				2614/0065			
7,0				2614/0070			
7,5				2614/0075			
8,0				2614/0080			
8,5		2611/0085		2614/0085			
9,0		2611/0090		2614/0090			
9,5		2611/0095		2614/0095			
10,0	2611/0100		2614/0100		2512/2100		
10,5	2611/0105		2614/0105				
11,0	2611/0110		2614/0110				
11,5	2611/0115		2614/0115			2616/0115	
12,0			2614/0120			2616/0120	
12,2							2619/0122
12,5			2614/0125			2616/0125	
14,0	2611/0140		2614/0140		2512/2140		
14,5			2614/0145				
17,0	2611/0170		2614/0170				

Abkürzungen Abbreviations Abréviations

EAW-Nr.	Bestell-Nr.	part No.	référence
	für Standard-Prisma	for standard rail	<i>pour rail standard</i>
	für Zeiss VM/ZM, Docter	for Zeiss VM/ZM, Docter	<i>pour Zeiss VM/ZM, Docter</i>
	für Swarovski SR, Kahles (neu)	for Swarovski SR, Kahles (new)	<i>pour Swarovski SR, Kahles (nouveau)</i>
	für Schmidt & Bender Convex	for Schmidt & Bender Convex	<i>pour Schmidt & Bender Convex</i>
•	Schwenkmontage	pivot mount	<i>montage pivotant</i>
■	Hebelschwenkmontage	pivot mount with lever	<i>montage pivotant à levier</i>
□	Hebelschwenkmontage aus Einzelteilen	pivot mount assembled from single parts	<i>montage pivotant à levier en pièces détachées</i>
◆	Aufschub-/Aufkippmontage	slide-on/roll-off mount	<i>montage à glissière/basculant</i>
•	Suhler Einhakmontage	Suhler claw mount	<i>montage à crochets à la façon de Suhl</i>
#	Waffenkennziffer	rifle number	<i>n° correspond. à l'arme</i>
BH	Bauhöhe	height	<i>hauteur</i>
B	Breite	width	<i>largeur</i>
L	Länge	length	<i>longueur</i>
H	Höhe	height	<i>hauteur</i>
KR	Kröpfung	extension	<i>coude</i>
RB	Ringbreite	width of ring	<i>largeur de collier</i>
KK	Kleinkaliber	small calibre rifle	<i>arme de petit calibre</i>
BBF	Bockbüchseflinte	mixed barrel gun	<i>fusil mixte superposé</i>
BDB	Bockdoppelbüchse	over/under rifle	<i>carabine superposée</i>
LG	Luftgewehr	airgun	<i>fusil à air comprimé</i>
Pr.	Prisma	dovetail (width)	<i>queue d'aronde (largeur)</i>



Markenzeichen für USA

trade mark for the USA

marque déposée pour les Etats-Unis